

Ulis Motorradladen GmbH

BMW Motorcycles

Spare Parts

Accessory



Price List Spring 2003

TwoValve BMW Boxer R50/5 to R100R 1969 to 1996

Gutleutstrasse 144
D - 60327 Frankfurt am Main
Germany

Telefon: +49 (0) 69 / 23 93 19
Telefax: +49 (0) 69 / 23 38 40

Info@UlisMotorradladen.de
www.UlisMotorradladen.de

Table of contents:

Page 2		Information and Trading Conditions
Page 4		Impressum
Page 6	Group 11	Engine
Page 14	Group 12	Engine Electrics
Page 17	Group 13	Fuel System, Airfilter
Page 18	Group 13	Bing Carburettor R50/5 – R60/7
Page 21	Group 13	Bing Carburettor R75/5 - R100R
Page 24	Group 13	Dellorto Carburettor R90S
Page 26	Group 16	Fuel Tank
Page 28	Group 18	Exhaust System
Page 30	Group 21	Clutch
Page 32	Group 23	Four Speed Gearbox
Page 34	Group 23	Five Speed Gearbox
Page 37	Group 26	Swing Arm and Drive Shaft
Page 38	Group 31	Fork
Page 43	Group 32	Steering
Page 46	Group 33	Rear Axle
Page 49	Group 34	Brakes
Page 53	Group 36	Wheels
Page 56	Group 46	Chassis and Frame
Page 64	Group 52	Seat
Page 66	Group 61	Electric
Page 71	Group 63	Lightning
Page 74		Literature
Page 76		How to find Ulis Motorradladen, Road Map

We're open:

Tuesday - Friday 10:00-18:30 CET - Saturday 10:00-13:00 CET - Sunday and Monday we're closed



Frankfurt am Main, February 2003

Dear BMW friends and riders,

Welcome at Ulis Motorradladen!

We are pleased about your interest in our products. And as far as the complete English edition of our catalogue is not available yet, we hope that this interim Edition will makes it easier to navigate through the lists and diagrams. Parts, descriptions and further information is still in German Language. Sorry.

Germany, and the other members of the European Community changed their local currencies with the beginning of 2002 into their new common currency, the EURO (€).
For one Deutsche Mark you'll get 0,5113 Euro.

A short note to the motorcycles of the years of construction before 1969, which are not matter of this catalog: For these models we stock nearly all spare parts, also such, which BMW cannot deliver since a long time. We do have a catalog for these models, too. You can download it on our web site as a zipped pdf-file.

In this list nearly each part is to be seen in a diagram. We hope this helps to prevent misunderstandings and wrong orders. We like to show that we have really nearly each part for old BMWs in stock. Please note that we offer many parts also in used condition. Important is that we do not sell a scrap iron, but perfectly usable parts. If you order i.e. a engine breather part for a R60/6 used, this is inferior technically to a fresh from the factory in no way. If you should have wanted nevertheless this or that part brand new, then you can assume we can also find it for you. The used parts price usually is half of the new parts price. Exceptions are completely rare individual parts, which are not available new any longer.

Our service for you: Technical and any other questions we answer gladly. We ride old BMWs for years. Or send a fax or an email. We answer all inquiries in the order of their arrival and as fast as possible. Suggestions, criticism and improvement suggestions are welcome!

For a fair purchase are clear regulations needed:

Here are our **Trading conditions**

The supply takes place by danger and risk of the buyer.

We deliver against payment by credit card. This is simple and comfortable for you, we do need your credit card number as well as the expiration date indicate and the name of the card holder. We accept VISA and EUROCARD/MASTERCARD.

We add all needed certificates of export and custom papers. We ship to all countries by AirMail (Premium), SAL (Economy+), or by UPS within shortest time, mostly still on the same day!

This might be interesting when your bike breakdown in your vacations. The spare part (also complete engines) is within 2-3 days at the goal. In real emergencies we can ship the needed spare within 24 hours to you! We dispatch also complete motorcycles and side cars. Prices on request.

Repair jobs do need sometimes longer time than the should need. In order to save you annoying further inquiries, long repair times and higher costs, please settle an exact error description. Pack up your shipment always very well! Please clean the parts from dirty oil and send them grease-free. We will charge you for the cleaning. Always attach to the parcel an accompanying letter with your telephone number.

We receive your **shipments** gladly, if they reach us stamped. Each sent in package, which is connected with receipt costs for us will be refused and is send back to your loads.

Conversion and possibly associated returns do cause insignificant costs both for you and us. It is therefore important to consider with the completion of a goods return some rules so that a smooth completion is ensured:

- the commodity must have been actually supplied by us.
- the return should take place always at short notice after supply under indication of the invoice number, however at the latest after 14 days. A conversion or a credit note within the guarantee time is possible only with your original invoice. Keep all vouchers!
- all goods can be returned only in original packaging and intact.



- goods returns, which are not to due to wrong deliveries on our part, are loaded with a handling charge at a value of 10% of the commodity value.
- goods, which we procured on express desire of you, are excluded from the cancelling in principle.
- with a conversion connected costs, e.g. forwarding expenses, the buyer bears, if the registration of the appropriate requirements did not take place within a period from 14 days.
- excluded from the conversion are e.g. crankshafts, cylinders, as well as any literature and all electrical parts such as bulbs, voltage regulators, etc..

Fundamental we are willing to take back goods, if the product does not correspond to your expectations (according to the laws).

We grant **guarantee** on all new parts for the period of 24 months. Usee parts are excluded from any guarantee. Of course we submit all used parts a (non destructive) view and a functional test. You receive a function warranty.

Forwarding expenses are at least 2.50€ work lump sum plus postage costs. Please note that we must compute also value added tax in the EEC on forwarding expenses and this is no mistake.... Please consider: Forwarding expenses develop also with small orders at a value of at least 7,00€!

Packing material, with which we pack up the sensitive motorcycle parts for sending away, consists of Bio8. Those are flakes, which are nearly exclusively made of plant strength and air. The flakes are biological degradable- they rot with water and air arrears-free. And naturally you can also use them again for sending away your packages.

The extent of the following list is very large and the prices rapid change itself in such a way that we cannot prove always a time near correction. So we have to reserve ourselves price adjustments. All quotations are without guarantee, we ask for your understanding. All prices in parentheses are in Euro € without value added tax (for our not EEC foreign customers), all other prices are in Euro € including 16% value added tax.

During the **use of the price list** you should consider that column 1 depends to the number in the diagram, column 2 to the article number, column 3 to the article description or name, column 4 the price without value added tax. You find the price inclusive value added tax in column 5. To nearly each part on the diagram there is a number in column 1. In order to find now the correct part in the text, you must add only the group letter (e.g. "e" at the group of electrical connection) and find the related part.

There are in addition, partial prices in the list, to which there is no picture, e.g. gasket kits. These parts are listed at the beginning and end of the respective group.

In addition, there are pictures, to which there is no text. Often this are rare or not any longer available parts or or small standard bits and pieces such as screws or plain washers. These parts you order nevertheless. Often we have parts still used in stock or since short again on stock.

With parts that you cannot find anywhere in the price list it will be helpful, if you ask your inquiry with the original BMW number (and the expenditure/edition of your spare parts catalogue) and a description of the part.

**Best Regards,
Schöne Grüße aus Frankfurt,**

Ulis Motorradladen



Ulis Motorradladen GmbH - Tel +49 (69) 23 93 19 - Fax +49 (69) 23 38 40



www.UlisMotorradladen.de - Info@UlisMotorradladen.de

Impressum

Ulis Motorradladen GmbH

BMW Motorräder – Ersatzteile – Zubehör
Gutleutstrasse 144

D-60596 Frankfurt am Main
Germany

Telefon +49 (69) 23 93 19
Telefax +49 (69) 23 38 40
eMail Info@UlisMotorradladen.de
Internet <http://www.UlisMotorradladen.de>

The shop is open: Tuesday to Friday 10:00-18:30 CET
Saturday 10:00-13:00 CET
We're closed on Monday and Sunday

Managing director Ulrich Seiwert
District court Frankfurt HRB40289
VAT-No: / UstIdNr: DE 174059929

Payments can be transferred to:

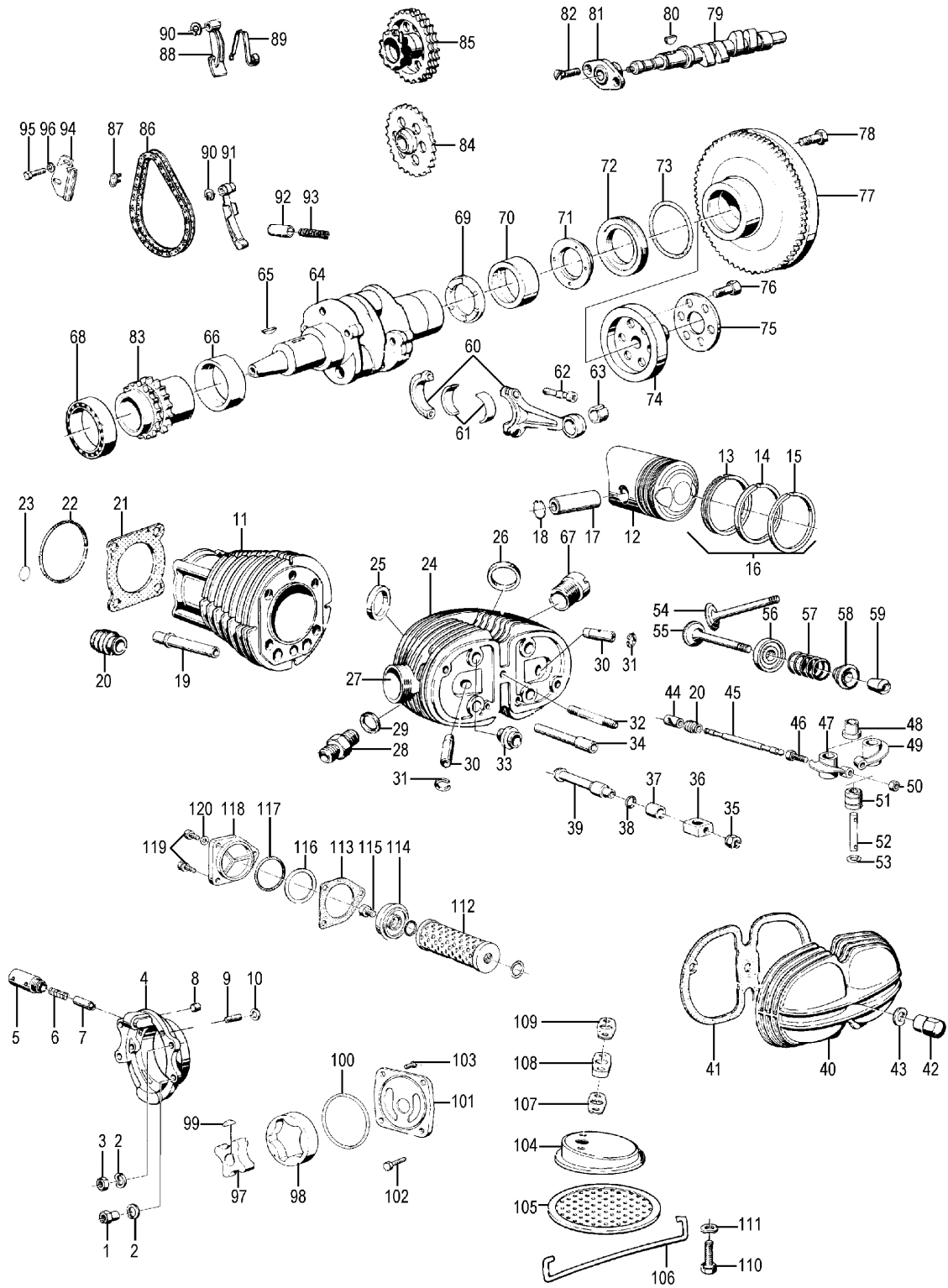
Postgiroamt Frankfurt, Account No 11 52 38-608, Bank Id No 500 100 60,
Dresdner Bank Frankfurt, Account No 384 766 400, Bank Id No 500 800 00.

Copyright © Ulis Motorradladen GmbH 2003.
Reprint – even parts of it – need our written permission!

We apologize for all possible mistakes, errors and price changes.



Gruppe 11: M o t o r





11a_000	11991	Drosselsatz 27PS	(175,42)	203,49
11a_000	38203	Mantelrohr für Ölkühler	(21,73)	25,21
11a_000	1335395	Drosselsatz R50/5 auf 27PS mit TÜV	(61,36)	71,18
11a_000	1460618	Nockenwelle Auslass K75, ab'85	(106,86)	123,96
11a_000	88852	Drosselsatz R75/5-R75/7 auf 27 PS	(153,39)	177,93
11a_000	36872	Scheibe Zylinderkopfbefestigung R50/5->	(0,72)	0,84
11a_000	1460800	Zündkerze X5DC für K75, K100	(4,86)	5,64
11a_000	1338422	Dichtsatz Motor R100RT, Modell '81	(60,00)	69,60
11a_000	1460617	Nockenwelle Einlass K75, ab'85	(106,86)	123,96
11a_000	1255023	Dichtsatz Motor R50/5-90S	(79,25)	91,93
11a_000	1256928	Scheibe Drehzahlmesserantrieb	(1,99)	2,31
11a_000	8500007	Ölkühler By-pass Stutzen	(2,30)	2,67
11a_001	1253243	Kettenspannerfeder Mutter R50/5->9/83, Lagerdeckel Ölwanne	(0,59)	0,68
11a_001b	1338681	Motor R80GS neu komplett	(2838,00)	3292,08
11a_001c	1338385	Motor R80GS überholt, komplett ohne Vergaser	(1789,52)	2075,84
11a_004a	1259593	Lagerschild vorn R50/5-R100,09/69->09/78	(101,24)	117,44
11a_004b	1337293	Lagerschild vorn 09/78->	(70,05)	81,26
11a_005	35299	Überdruckventil-Hohlschraube R50/5->	(9,46)	10,97
11a_006	52128	Überdruckventil-Feder R50/5->	(0,92)	1,07
11a_007	71320	Überdruckventil-Kolben R50/5->	(2,02)	2,34
11a_011a	51383	Zylinder R75/5-R75/6 ->76, neu	(255,13)	295,95
11a_011b	5068	Zylinder kunststoffbeschichten	(43,46)	50,41
11a_011c	10013	Zylinder bohren und honen (bis 70mm)	(50,00)	58,00
11a_011d	10012	Zylinder bohren und honen (ab 72mm)	(60,00)	69,60
11a_011e	37251	Zylinder 1000ccm Nicasil	(229,20)	265,87
11a_011f	1335270	Zylinder R45, neu, Restposten	(214,74)	249,10
11a_011g	1337275	Zylinder R65, Nikasil, neu	(230,08)	266,89
11a_011h	1264647	Zylinder R90S, neu	(255,13)	295,95
11a_011i	1337392	Assy, Replacement Kit 1000cc, Satz mit zwei Zylinder und Kolben komplett	(525,86)	610,00
11a_012a	1265014	Kolben R100/7 1:9,0; 94.00mm	(94,83)	110,00
11a_012b	1265015	Kolben R100/7 1:9,0; 94.25mm	(94,83)	110,00
11a_012c	1335462	Kolben R100 RS, 1:9,5; 94.00mm Gußzylinder	(97,66)	113,29
11a_012d	1335463	Kolben R100 RS, 1:9,5; 94,25mm für Gußzylinder	(97,66)	113,29
11a_012e	1335464	Kolben R100RS, 1:9,5; 94.50mm für Gußzylinder	(97,66)	113,29
11a_012ea	1337263	Kolben R100 ->84, 1:8.2, 94,0mm	(94,83)	110,00
11a_012f	1335042	Kolben R45, 70,00mm ,1:9.2, für Gußzylinder	(71,58)	83,03
11a_012g	1335045	Kolben R45, 70,25mm, 1:9.2.für Gußzylinder	(71,58)	83,03
11a_012h	1335062	Kolben R45, 70.50mm, 1:9.2.für Gußzylinder	(74,14)	86,00
11a_012i	1335333	Kolben R45N, 70.00mm, 1:8.2, für Gußzylinder (27PS)	(71,58)	83,03
11a_012j	1335338	Kolben R45N, 70,25mm, 1:8.2, für Gußzylinder (27PS)	(71,58)	83,03
11a_012k	1335339	Kolben R45N, 70,50mm, 1:8.2, für Gußzylinder (27PS)	(74,14)	86,00
11a_012l	1254054	Kolben R50/5, 67,5mm (67,48)+0,5mm	(117,60)	136,42
11a_012m	1254053	Kolben R50/5, 67,0mm Standard	(117,60)	136,42
11a_012o	1335657	Kolben R60/5-R60/7, 73,50mm (73,47)	(99,70)	115,65
11a_012p	1335659	Kolben R60/5-R60/7, 74,00mm (73,96)	(99,70)	115,65
11a_012q	1338058	Kolben R65, 27PS, für Nikasil-Zylinder, 1:8.4	(81,81)	94,90
11a_012q	1335660	Kolben R60/5-R60/7, 74,00mm (73,97)	(99,70)	115,65
11a_012r	1335049	Kolben R65, 45PS, 82.00, für Gußzylinder, 1:9.2	(92,52)	107,32
11a_012r	1335658	Kolben R60/5-R60/7, 74,50mm	(92,52)	107,32
11a_012s	1335052	Kolben R65, 45PS, 82.25, für Gußzylinder, 1:9.2	(92,52)	107,32
11a_012t	1335066	Kolben R65, 45PS, 82.50, für Gußzylinder, 1:9.2	(92,52)	107,32
11a_012ta	1337261	Kolben R65, 82,0 Nikasil, 1:9,2, "B"	(81,81)	94,90
11a_012u	1253161	Kolben R75/5-R75/7, 82.00mm	(113,79)	132,00
11a_012v	1253163	Kolben R75/5-R75/7, 82.50mm	(113,79)	132,00
11a_012w	1253164	Kolben R75/5,/6,/7 82.50	(98,17)	113,88
11a_012w	1253167	Kolben R75/5-R75/7, 83,00mm	(113,79)	132,00



11a_012x	1253169	Kolben R75/5-R75/7, 83,50mm	(113,79)	132,00
11a_012xa	1335418	Kolben R80/7->09/80, 85,275mm, 1:8,2	(90,00)	104,40
11a_012z	1259871	Kolben R90S, 90,0mm	(98,17)	113,88
11a_012za	1259875	Kolben R90S, 90,5mm (90,475+0,5)	(98,17)	113,88
11a_016b	1337399	Kolbenringsatz R100 Nicasil 94,00 '81->	(28,12)	32,62
11a_016c	1335284	Kolbenringsatz R45 Nicasil '81->	(17,90)	20,76
11a_016d	1337398	Kolbenringsatz R80 Nicasil '81->	(17,90)	20,76
11a_016e	1265506	Kolbenringsatz 94,25mm R100 ->'81 für Gußzylinder	(35,00)	40,60
11a_016f	1256477	Kolbenringsatz R75/5-R75/7, 82,0mm	(25,34)	29,39
11a_016g	1256478	Kolbenringsatz R75/5-R75/7, 82,5mm	(25,34)	29,39
11a_016h	1259854	Kolbenringsatz R90, 90,50mm	(31,70)	36,77
11a_016i	1259855	Kolbenringsatz R90 2.ÜM 91,00,	(28,94)	33,57
11a_016j	1259853	Kolbenringsatz R90, 90,0mm std.	(36,00)	41,76
11a_016l	1337401	Kolbenringsatz R65, 82,0 für Nikasil	(25,34)	29,39
11a_016m	1265505	Kolbenringsatz 94mm, R100 ->'81 für Gußzylinder	(35,00)	40,60
11a_016n	1265507	Kolbenringsatz 94,50mm, R100 ->'81 für Gußzylinder	(35,00)	40,60
11a_016o	1256473	Kolbenringsatz R60/5-R60/7, 73,5mm	(25,56)	29,65
11a_016p	1256474	Kolbenringsatz R60/5-60/7, 74,0mm	(25,56)	29,65
11a_017	0712199	Kolbenbolzen 22mm, R90/6, R90S	(17,00)	19,72
11a_018a	9933653	Kolbenbolzensicherung 22mm, R50/5	(0,69)	0,80
11a_018b	1335476	Kolbenbolzensicherung 22x1,75	(0,61)	0,71
11a_018b	9934460	Kolbenbolzensicherung 22mm, R90/6	(0,69)	0,80
11a_018c	1265623	Kolbenbolzensicherung 22mm, R100/7	(0,69)	0,80
11a_019a	50214	Stoßstangenschutzrohr R50/5-R90S ->08/75 Edelstahl	(13,29)	15,42
11a_019b	62904	Stoßstangenschutzrohr Nikasilzylinder 08/80->	(10,23)	11,87
11a_019c	35277	Stoßstangenschutzrohr R45/65	(8,59)	9,96
11a_020a	2032	Stößelgummi R50/5-R90S ->09/75	(1,80)	2,09
11a_020b	35090	Stößelgummi R45/65	(1,80)	2,09
11a_020c	3032	Stößelgummi R60/6-R100, 08/75->	(1,80)	2,09
11a_021	1261672	Kopfdichtung R50/5-75/7, R45/65, R80- 80GS, R90/6, R90S	(5,00)	5,80
11a_021a	55002	Fußdichtung R50/5-R100, R45/65 aus Spezialpapier. Bewirkt eine Verringerung des Ölnebels am Zylinderfuß	(3,00)	3,48
11a_021b	1255001	Fußdichtung R50/5-R90S->08/76 0,5mm	(3,50)	4,06
11a_021c	1335650	Fußdichtung 96"ROZ", 09/76-> zur Verdichtungsreduzierung	(3,83)	4,44
11a_021d	1257092	Fußdichtung R50/5-R90S ->8/76 1,15 mm	(3,00)	3,48
11a_021e	1338715	Kopfdichtung R100	(5,00)	5,80
11a_022a	337567	O-Ring Zylinderfuß R60/6-R100 schwarz	(2,30)	2,67
11a_023	62141	O-Ring Zylinderfuß klein, R60/6-R100	(0,61)	0,71
11a_024	1262960	Zylinderkopf R60/5, R60/6, links neu, ohne Ventile	(255,13)	295,95
11a_024a	29030	Zylinderkopfüberholung R69S, R60/5-R80/7	(99,70)	115,65
11a_024b	29032	Zylinderkopfüberholung R100	(115,04)	133,45
11a_024c	33030	Zylinderkopfüberholung R45/65 komplett mit verstärktem Auslaßventil	(122,71)	142,34
11a_024d	1337870	Zylinderkopf R80 rechts, nackt	(225,01)	261,01
11a_024e	1337869	Zylinderkopf R80 links, nackt	(225,01)	261,01
11a_024f	35224	Zylinderkopf R65 bis 1981, neu ohne Ventile	(219,86)	255,04
11a_024g	35222	Zylinderkopf R45 neu, ohne Ventile	(235,19)	272,82
11a_024h	32030	Zylinderkopfüberholung R45/65 (nur Auslaß mit 8mm Ventilschaft)	(92,03)	106,75
11a_024h	1253158	Zylinderkopf R50/5, links, neu, ohne Ventile	(255,13)	295,95
11a_024i	1253155	Zylinderkopf R50/5, rechts neu, ohne Ventile	(255,13)	295,95
11a_024l	1262967	Zylinderkopf R75/5, R75/6, rechts, neu, ohne Ventile, Restposten	(255,13)	295,95
11a_024m	1262852	Zylinderkopf R90S, rechts, neu, ohne Ventile	(255,13)	295,95
11a_024n	65175	Zylinderkopf R100RS rechts ->81, neu	(254,62)	295,36
11a_024o	106001	Zylinderkopf neu überholt ab:	(230,08)	266,89
11a_025a	00095	Ventilsitzring Erneuern (Sitzring und Arbeitszeit)	(61,36)	71,18
11a_025b	1256004	Ventilsitzring Einlaß R75/5-R100	(7,10)	8,24
11a_026a	1337900	Ventilsitzring Auslaß R75/5-R80, bleifrei	(16,53)	19,17
11a_026b	1337899	Ventilsitzring Auslaß R75/5-R100 bleifrei	(16,53)	19,17



11a_026c	2325741	Ventilsitzring Auslaß R100, +0,2 bleifrei	(16,53)	19,17
11a_026d	1265647	Ventilsitzring Einlaß R100, +0,2	(8,81)	10,22
11a_027	1068	Auspuffgewindereparatur (Ihr alter Stutzen ist noch vorhanden)	(56,24)	65,24
11a_030a	10029	Ventilführung 8mm 14,.. außen, mit Sicherungsring	(5,42)	6,29
11a_030b	38709	Ventilführung R45/65 Einlaß, 7mm, 14,10mm außen	(10,12)	11,74
11a_030c	1335569	Ventilführung R45/65 Einlaß, 7mm, 14,20mm außen	(10,12)	11,74
11a_031	999003	Ventilführung-Sicherungsring 14mm	(0,46)	0,53
11a_033	1261405	Kipphebelbock Lagerung R60/6-R100 09/75->, R45/65->01/85	(5,01)	5,81
11a_035a	62302	Mutter Zylinderkopf/Kipphebel R50/5->	(0,82)	0,95
11a_035b	63903	Mutter Zylinderkopf R50/5->	(0,31)	0,36
11a_036a	1250237	Kipphebelblock R50/5-R75/5	(24,54)	28,47
11a_036b	1258264	Kipphebelbock 09/75->, R60/6-R100, R45/64->01/85, alte Ausführung	(8,95)	10,38
11a_036c	1337867	Kipphebelblock 09/75->, R60/6-R100 R45/65 01/85->, neue Ausführung	(9,46)	10,97
11a_036d	1261773	Kipphebelbock R60/6-R90S, 09/73->09/75	(19,94)	23,13
11a_036e	1337868	Kipphebelbock Scheibe 09/75-->	(0,69)	0,80
11a_037	1254840	Kipphebelbock-Abstandshülse R50/5-R75/5 02/70->08/72	(4,19)	4,86
11a_038a	60470	O-Ring Kipphebel R50/5-R75/5	(2,15)	2,49
11a_040a	316120	Ventildeckel R50/5-R100R verchromt	(138,05)	160,14
11a_040b	50243	Ventildeckel R50/5->, Nachbau mit Außenverschraubung, mit Schrauben	(46,02)	53,38
11a_040c	50241	Ventildeckel R50/5-> Nachfertigung	(35,79)	41,52
11a_040d	50240	Ventildeckel R50/5->, original BMW	(53,69)	62,28
11a_040e	12243	Ventildeckel-Satz R50/5-> hochglanzpoliert	(137,93)	160,00
11a_040e	50242	Ventildeckel mit Öleinfüllstutzen und Inbusschrauben, Paar	(101,24)	117,44
11a_040f	63761	Ventildeckel R60/6-R100 rechts	(42,95)	49,82
11a_041	19054	Ventildeckeldichtung	(3,00)	3,48
11a_042	102001	Ventildeckelmutter, verchromt R50/5-R75/5	(3,32)	3,85
11a_044	62638	Stößel R50/5-R100	(15,43)	17,90
11a_045a	59607	Stoßstange R50/5-R90S, ->08/75	(20,27)	23,51
11a_045b	62907	Stoßstange 09/75->	(19,84)	23,01
11a_046	34178	Ventileinstellschraube R68-R100	(4,09)	4,74
11a_046a	2311726	Distanzring Motor 09/69->08/80	(1,64)	1,90
11a_048	1250239	Kipphebel Anlaufring R50/5-R75/5	(6,70)	7,77
11a_049a	1250259	Kipphebel R50/5-R75/5 >09/73, Einlaß-links, Auslaß-rechts	(24,80)	28,77
11a_049b	1250261	Kipphebel R50/5-R75/5 >09/73, Einlaß-rechts, Auslaß-links	(24,80)	28,77
11a_049c	1337713	Kipphebel R60/6-R100, 09/75->, Einlaß-links, Auslaß-rechts	(39,37)	45,67
11a_049d	1337715	Kipphebel R60/6-R100, 09/75->, Einlaß-rechts, Auslaß-links	(39,37)	45,67
11a_049e	1257922	Kipphebel R60/6-R90S, 09/73->09/75, Einlaß-links, Auslaß-rechts	(35,53)	41,21
11a_049f	1257924	Kipphebel R60/6-R90S, 09/73->09/75, Einlaß-rechts, Auslaß-links	(35,53)	41,21
11a_050	34128	Ventileinstellschraubenmutter	(0,41)	0,48
11a_051	1252628	Kipphebelbuchse R50/5-R75/5	(5,73)	6,65
11a_052	1251346	Kipphebelachse R50/5-R75/5	(23,78)	27,58
11a_053	1257825	Kipphebel Anlaufscheibe R50/5-R75/5	(0,77)	0,89
11a_054a	1250234	Einlaßventil R75/5-R100, 42mm	(17,36)	20,14
11a_054b	26151	Einlaßventil R68-R69S, R60/5-R60/7, 38mm (Dreifachnut)	(29,65)	34,39
11a_054c	1336903	Einlaßventil R65 40mm, 7mm Schaft	(17,59)	20,40
11a_054d	56678	Einlaßventil R65 38mm, 7mm Schaft	(27,61)	32,03
11a_054e	1253118	Einlassventil R50/5 34mm, 8mm Schaft	(18,41)	21,36
11a_054f	1335091	Einlaßventil R45 34mm, 7mm Schaft und R65/20kw-Version	(21,99)	25,51
11a_054g	1338285	Auslaßventil R80,R100 '87-> 30°/40mm	(58,07)	67,36
11a_054g	1261751	Einlaßventil R100 44mm 09/78-> und R80 Behörde Ägypten	(18,82)	21,83
11a_055a	1335093	Auslaßventil R45/65 mit 8mm-Schaft	(59,05)	68,50
11a_055b	1253119	Auslaßventil R50/5, 32mm, 8mm Schaft	(59,05)	68,50
11a_055c	1336899	Auslaßventil R65LS 36mm, 7mm Schaft	(24,54)	28,47
11a_055d	56679	Auslaßventil R68-69S, R60/5, 34mm	(29,14)	33,80
11a_055e	1337453	Auslaßventil R75/5-R80 38mm	(29,65)	34,39
11a_055f	1257837	Auslaßventil R90,R100 40mm	(46,27)	53,67
11a_056	50233	Ventilteller unten R50/5-R100	(1,80)	2,09



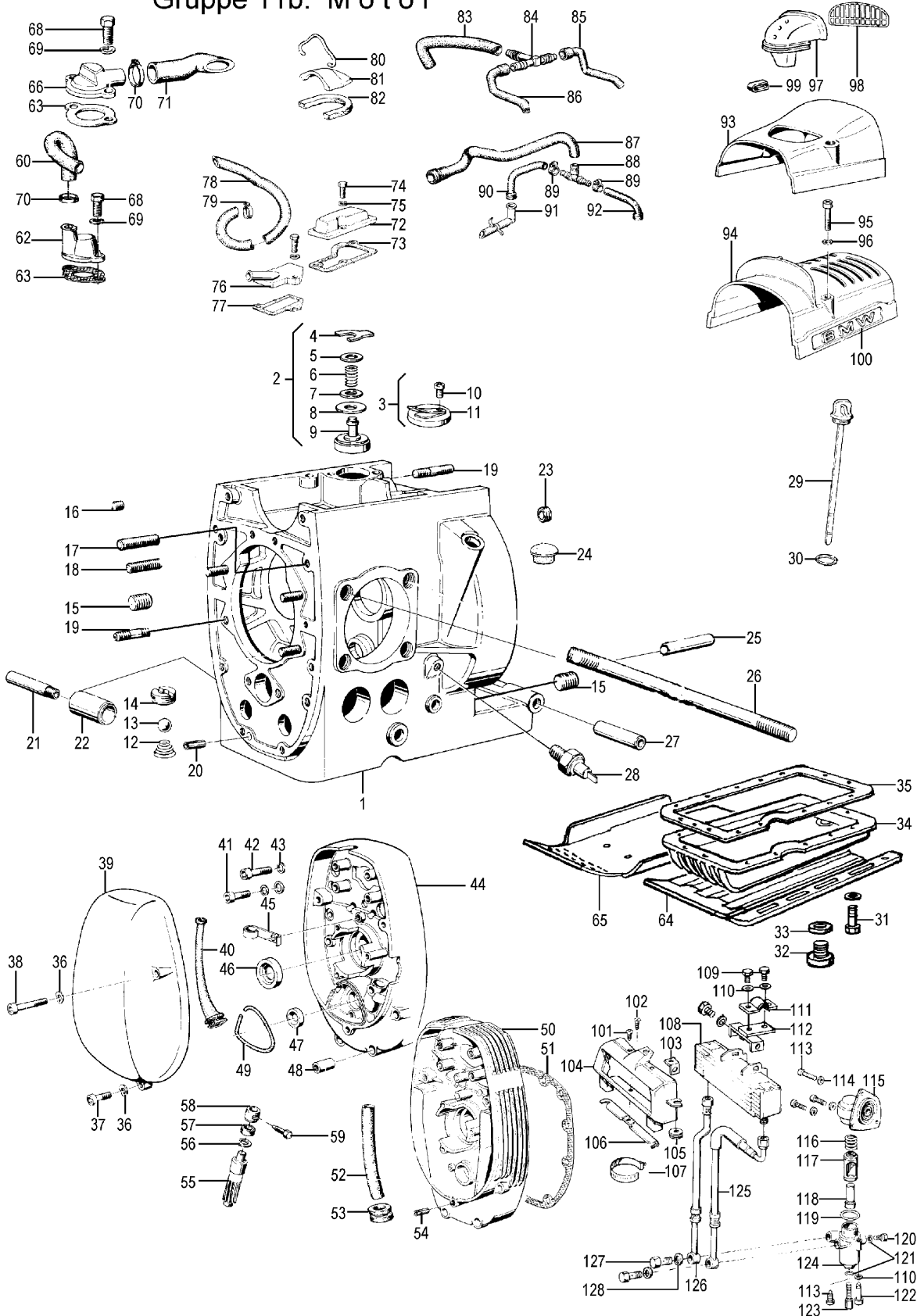
11a_057a	13018	Ventilfeder R50/5-R100	(4,88)	5,66
11a_058	56554	Ventilteller oben R50/5-R100	(3,48)	4,04
11a_059a	26724	Ventilkeilchen R50/5-R100	(0,87)	1,01
11a_059b	07136	Ventilkeilchen R45/65	(0,87)	1,01
11a_060a	38151	Pleuelstange R50/5-R100	(92,56)	107,37
11a_060b	59739	Pleuelstange R50/5-R100R überholt, im Tausch	(56,24)	65,24
11a_061a	58460	Pleuellagerschale Standard R50/5->	(5,88)	6,82
11a_061b	58419	Pleuellagerschale +0,25 R50/5->	(5,88)	6,82
11a_061c	58420	Pleuellagerschale +0,50 R50/5->	(5,88)	6,82
11a_061d	58421	Pleuellagerschale +0,75 R50/5->	(5,88)	6,82
11a_062	50196	Pleuelschraube R50/5->	(1,94)	2,25
11a_063	38456	Pleuelbüchse 22mm 09/69->	(3,97)	4,61
11a_064a	80303	Aufpreis für Reparatur defekter Kurbelwellen-Lagersitze	(50,00)	58,00
11a_064b	1336439	Kurbelwelle R45/65 im Tausch ohne Pleuel	(245,42)	284,69
11a_064c	1336774	Kurbelwelle R50/5-75/5 im Tausch, ohne Metallstopfen, ohne Pleuel	(245,42)	284,69
11a_064d	338171	Kurbelwelle R60/6-100/7,09/75->im Tausch ohne Pleuel, Gewinde M11x1,5	(245,42)	284,69
11a_064e	1338172	Kurbelwelle R60/6-90S, ->9/75 im Tausch, ohne Pleuel, Gewinde M10x1	(245,42)	284,69
11a_064f	1338171	Kurbelwelle R60/6-R100, 09/75-> neu ohne Pleuel, Gewinde M11x1,5	(352,79)	409,24
11a_066a	1250155	Hauptlager Standard R50/5-R100	(22,92)	26,59
11a_066b	1254788	Hauptlager +0,25mm R50/5-R100	(25,00)	29,00
11a_066c	1254789	Hauptlager +0,50mm R50/5-R100	(22,92)	26,59
11a_066d	1255288	Hauptlager +0,75mm R50/5-R100	(22,60)	26,22
11a_067a	51598	Schraubstutzen Zylinderkopf R50/5-R60/7, 26er Durchmesser	(35,43)	41,10
11a_067b	57396	Schraubstutzen Zylinderkopf R75/5, 36er Durchmesser / 25mm lang	(14,11)	16,37
11a_067c	1337229	Ansaugrohrstutzen R45-R100	(3,17)	3,68
11a_067c	1262620	Schraubstutzen Zylinderkopf R100 '76-84, R100RS, RT, CS, S, /7	(12,78)	14,82
11a_067c	1259819	Schraubstutzen Zylinderkopf R90S	(14,55)	16,88
11a_068	9981722	Lager Kettenrad Kurbelwelle R50/5->	(9,74)	11,30
11a_069a	1256974	Anlaufscheibe Kurbelwelle blau	(13,55)	15,72
11a_069b	1256976	Anlaufscheibe Kurbelwelle gelb	(13,55)	15,72
11a_069c	1256975	Anlaufscheibe Kurbelwelle grün	(13,55)	15,72
11a_069d	1256973	Anlaufscheibe Kurbelwelle rot	(13,55)	15,72
11a_070	9942050	Hauptlager Haltestift R50/5-R100	(0,41)	0,48
11a_070a	1338174	Zylinder mit Kolben R65GS, R65, 20KW	(271,07)	314,44
11a_070b	1338032	Assy Kolben und Zylinder R65 Verbundzylinder	(254,62)	295,36
11a_070c	1335627	Assy, Kolben und Zylinder R80, 1:8,2	(285,50)	331,18
11a_070d	1337390	Assy, Zylinder/Schmiedekolben R100 '81-> Verdichtung 1:9,5	(270,23)	313,47
11a_072a	38342	Wedi Kurbelwelle R50/5-R75/5 hinten	(13,04)	15,13
11a_072b	61739	Wedi R50/5-R100 Original BMW, Kurbelwelle hinten	(15,08)	17,49
11a_073	37099	O-Ring Schwungscheibe R60/6-R100	(2,15)	2,49
11a_074	1337284	Kurbelwellen Laufring hinten 09/80->	(34,82)	40,39
11a_077	38722	Schwungscheibe ab 1981, "leichte" Kupplung mit Zahnkranz	(99,70)	115,65
11a_077b	1262070	Schwungscheibe R60/6-R90S, M11x1,5, 09/75->	(219,86)	255,04
11a_078a	16759	Schwungscheibenhalteschraube R50/5-> M10	(1,94)	2,25
11a_078b	57796	Schwungscheibenhalteschraube R60/6-R90S, M10x1x32, ->'76	(2,51)	2,91
11a_078c	262060	Schwungscheibenhalteschraube R60/6-R100, M11x1.5, '76->	(1,94)	2,25
11a_079b	62999	Nockenwelle R60/6-/7 mit zwei Flächen Ölpumpenrad	(143,16)	166,07
11a_079c	59264	Nockenwelle R75/5-R100 ->09/78, 308°, mit 2 Flächen Ölpumpenrad	(148,27)	171,99
11a_079d	1337843	Nockenwelle R75/5-R100 ->09/78, 336°, mit 2 Flächen Ölpumpenrad	(158,50)	183,86
11a_080	51480	Scheibenfeder Nockenwelle R50/5-R75/5	(1,28)	1,48
11a_081	1250251	Flanschlager Nockenwelle R50/5->	(20,20)	23,43
11a_082a	00869	Nockenwellenbefestigungsschraube->'76	(0,41)	0,48
11a_082b	63853	Nockenwellen Befestigungsschraube '76-81	(0,92)	1,07
11a_082c	37107	Nockenwellenbefestigungsschraube '81->	(0,41)	0,48



11a_083a	1250198	Kettenrad Kurbelwelle duplex R50/5-R100 ->09/78	(51,13)	59,31
11a_083b	1335586	Kettenrad Kurbelwelle simplex R60/7-R100, R45/65, 09/78->08/95	(21,55)	25,00
11a_084	1335588	Kettenrad Nockenwelle Simplex 09/78->	(28,63)	33,21
11a_085	1250253	Kettenrad Nockenwelle duplex R50/5-R100 09/69>09/78	(47,55)	55,16
11a_086a	35934	Simplexkette R60/7-R100, 09/78-> (auch für R50/5-R100 ->08/78 verwendbar)	(8,28)	9,60
11a_086b	50258	Duplexkette mit Schloß R50/5-R100 ->08/78	(24,24)	28,12
11a_088	1265455	Kettenspanner R50/5->09/78	(10,17)	11,80
11a_089	1253188	Kettenspanner Feder R50/5->09/78	(1,84)	2,13
11a_090	32841	Sicherungsring Kettenspanner R50/5-R100 ->'79 und Schaltung R60/6-R100	(0,36)	0,42
11a_091	1338185	Kettenspanner 09/78->	(3,83)	4,44
11a_092	1335579	Kettenspanner Druckkolben 09/78->	(2,97)	3,45
11a_093	1335584	Kettenspanner Feder 09/78->	(0,49)	0,57
11a_094	1335576	Kettenspanner Gleitschiene 09/78->	(5,88)	6,82
11a_095	98201	Schraube	(0,13)	0,15
11a_096	98414	Scheibe	(0,06)	0,07
11a_097a	58971	Ölpumpen-Innenläufer R50/5-R100 für Scheibenfeder 3x5 (breite Nut)	(30,41)	35,28
11a_097b	35194	Ölpumpen-Innenläufer R60/7-R100 79> mit 2-Flächen Befestigung	(12,78)	14,82
11a_097c	53294	Ölpumpen-Innenläufer R50/5-R75/5 für Scheibenfeder 2,5x3,7 (schmale Nut)	(29,97)	34,77
11a_098	53293	Ölpumpen Außenläufer R50/5-R100	(7,46)	8,65
11a_099	51414	Scheibenfeder Ölpumpe R50/5-R90S ->1975	(1,28)	1,48
11a_101	60182	Ölpumpendeckel ab R50/5 in Verbindung mit Sechskantschraube M6x16	(14,57)	16,90
11a_102	9913499	Schraube M6x28, Ölpumpendeckel R60/6-R100RT, 09'76->	(0,18)	0,21
11a_103	98155	Schraube	(0,13)	0,15
11a_107a	52280	Ölpumpensiebichtung R50/5-90S	(0,97)	1,13
11a_107b	65258	Ölpumpensiebichtung R60/7-R100	(0,97)	1,13
11a_110	1335896	O-Ring Ölpumpendeckel R50/5-R100	(2,15)	2,49
11a_112b	4048	Ölfiltereinsatz für Modelle mit Ölkühler	(9,20)	10,67
11a_113	38600	Ölfilterdeckeldichtung R50/5-R100	(0,92)	1,07
11a_116	36895	Ölfilterdeckel-Blechdichtung R60/6-R100	(1,64)	1,90
11a_117	37098	O-Ring Ölfilterdeckel R60/6-R100	(1,71)	1,98
11a_118	1263345	Ölfilterdeckel (kein Ölkühler)	(5,01)	5,81
11a_121a	1337720	Kipphebeldistanzscheibe 09/75->, 0,20mm	(0,49)	0,57
11a_121b	1337719	Kipphebeldistanzscheibe 09/75->, 0,25mm	(0,46)	0,53
11a_121c	1337718	Kipphebeldistanzscheibe 09/75->, 0,30mm	(0,46)	0,53
11a_121d	1337721	Kipphebeldistanzscheibe 09/75->, 0,35mm	(0,46)	0,53
11a_121e	1338190	Kipphebeldistanzscheibe 09/75->, 0,50mm	(0,46)	0,53
11a_122	1337717	Kipphebel-Axiallager Kunststoff 09/75->	(0,97)	1,13
11a_123	61712	Nadellager Kipphebel R60/6-R100, R45/65	(5,62)	6,52
11a_126	1336942	Kipphebelachse R60/6-R100, 09/73->, R45/65 ->01/85	(12,27)	14,23
11a_132	5048	Ölfiltereinsatz geteilt (kein Ölkühler)	(6,22)	7,22
11a_133a	63342	Ölfilterrohr kurz (kein Ölkühler)	(3,83)	4,44
11a_133b	35387	Ölfilterrohr lang (mit Ölkühler)	(10,14)	11,76
11a_19d	1262904	Stoßstangenschutzrohr 08/75->, Edelstahl	(12,78)	14,82
11a_95a	98177	Schraube M 6x60 Zylinderkopf-Inbus	(0,33)	0,38
11a_95b	098177	Schraube M 6X60 Zylinderkopf-Inbus Edelstahl	(0,49)	0,57



Gruppe 11b: Motor



11b_000	1335870	Entlüftungsschlauch 09/80->	(14,83)	17,20
11b_003	1335712	Entlüfter Motor R50/5-R100	(5,51)	6,39
11b_006	1251228	Motorentlüfter Druckfeder alte Version (Restposten)	(0,49)	0,57



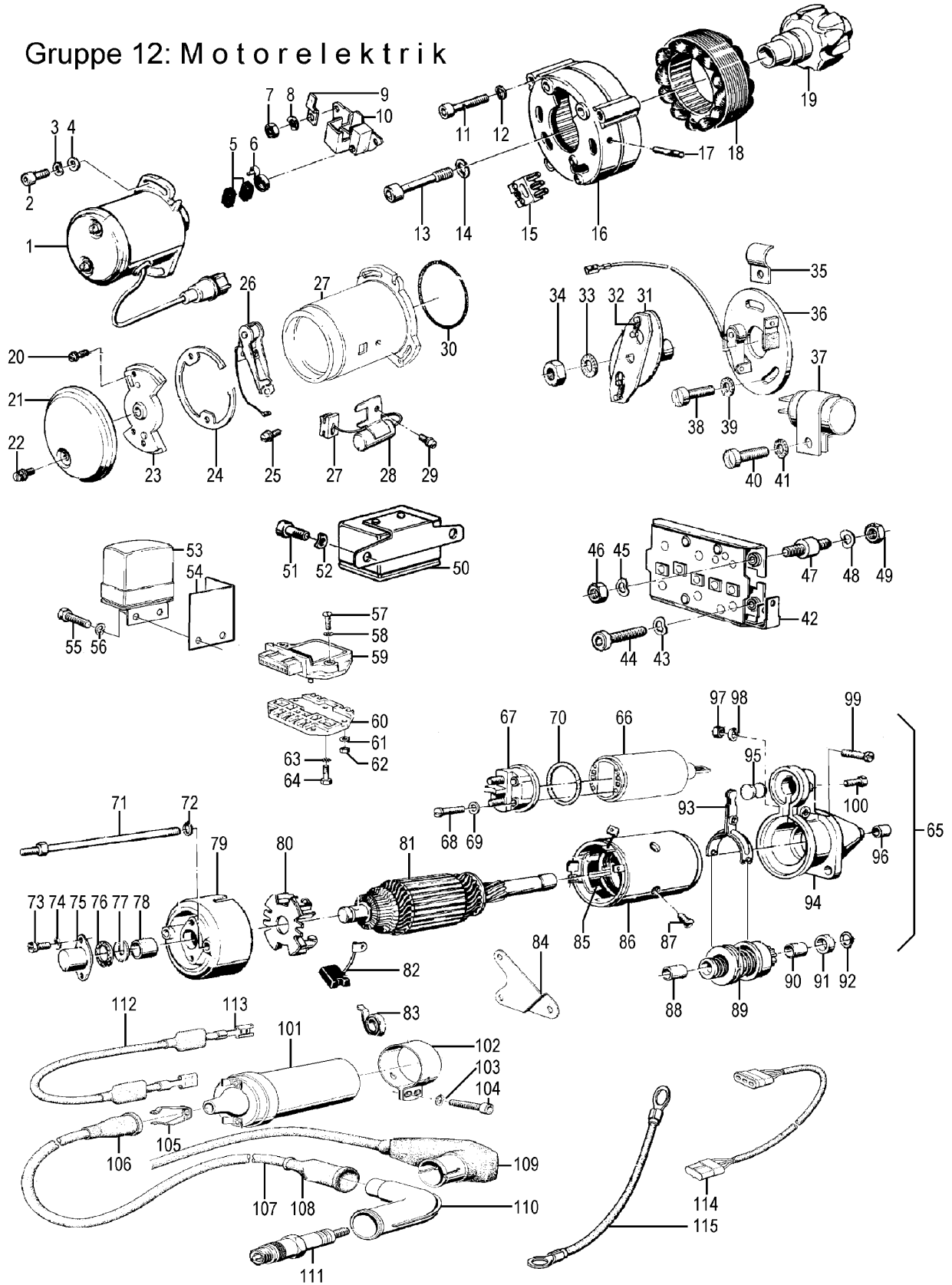
11b_011	35711	Motorentlüfter Membran	(1,23)	1,43
11b_012z	1259879	Kolben R90S, 91,00mm (90,985 +1,0)	(98,17)	113,88
11b_024a	01106	Stopfen Zündloch schwarz	(0,92)	1,07
11b_024b	43016	Stopfen Zündloch weiß	(0,92)	1,07
11b_025	1250156	Anlaufscheiben Haltestift, Kurbelwelle	(0,46)	0,53
11b_026a	9908174	Stehbolzen Zylinder R50/5-R100	(0,82)	0,95
11b_026b	1335107	Stehbolzen Zylinder lang R45/65	(4,09)	4,74
11b_026b	57397	Zylinderbefestigungsschraube lang 50/5->	(2,97)	3,45
11b_028a	51799	Öldruckschalter R50/5-R75/5 Feingewinde	(6,54)	7,59
11b_028b	43414	Öldruckschalter R60/6-R100	(5,01)	5,81
11b_029a	37542	Ölpeilstab R50/5-R100	(7,67)	8,90
11b_029b	101056	Öltemperaturpeilstab R50/5-R100, R45/65, 275mm	(37,79)	43,84
11b_029c	101057	Öltemperaturpeilstab R50/5-R100, R45/65, 285mm, grosse Ölwanne	(37,79)	43,84
11b_030	63420	Ölpeilstabdichtring	(0,56)	0,65
11b_032a	19124	Ölablaßschraube M18 Inbus	(1,50)	1,74
11b_032b	43117	Ölablaßschraube M18 magnetisch	(7,41)	8,60
11b_032c	912002	Öltemperaturgeber M14x1,5	(12,02)	13,94
11b_032c	904029	Öltemperaturgeber M16x1,5	(14,32)	16,61
11b_032d	904031	Öltemperaturgeber M18x1,5	(20,45)	23,72
11b_033	63300	Dichtring Alu	(0,26)	0,30
11b_034	62723	Ölwanne R50/5-R100 große Ausführung, 09/75->, in Verbindung mit Distanzstück	(38,35)	44,49
11b_034a	64031	Ölwanne R75/5-R100 gebraucht	(19,43)	22,54
11b_034b	1336995	Ölwanne R45-R100 ab '82	(33,23)	38,55
11b_035	8032	Ölwannendichtung R50/5-R100	(5,11)	5,93
11b_037	98158	Schraube M 6X20 Zylinderkopf-Inbus	(0,18)	0,21
11b_038	98177	Schraube M 6x60 Zylinderkopf-Inbus	(0,33)	0,38
11b_039a	59469	Limadeckel R50/5-R90S ->09/75	(43,97)	51,01
11b_039b	63265	Limadeckel R60/6-R100 09/75->'79	(43,97)	51,01
11b_039c	1335024	Limadeckel R60/7-R100, R45/65	(39,37)	45,67
11b_040	53415	Unterbrecherkontakt-Belüftungsschlauch R50/5-R100, ->'79	(8,54)	9,91
11b_041	98148	Schraube Zylinderkopf-Inbus	(0,23)	0,27
11b_042	98168	Schraube Zylinderkopf-Inbus	(0,26)	0,30
11b_043	98410	Scheibe	(0,05)	0,06
11b_046	55011	Wedi Kurbelwelle R50/5-R100	(4,55)	5,28
11b_047	11223	Wedi Nockenwelle R50/5-R100	(3,37)	3,91
11b_047b	02197	Wedi Nockenwelle R60/6->	(3,68)	4,27
11b_048	52311	Stirndeckel-Mutter Inbus R50/5-R100	(0,92)	1,07
11b_049	65394	Unterbrecherkontakt-Dichtung R50/5-R100	(2,45)	2,84
11b_051	38428	Stirndeckeldichtung R50/5-R100	(2,45)	2,84
11b_051b	38429	Lichtmaschinendeckel Abstandscheibe R50/5-R100	(0,23)	0,27
11b_052	43920	Unterbrecherkontakt-Belüftungsrohr '81->, R60/7-R100	(1,43)	1,66
11b_055	1250187	Drehzahlmesserantrieb R50/5->	(24,34)	28,23
11b_057	56860	Wedi Drehzahlmesserwelle R50/5->	(3,37)	3,91
11b_058	1259738	Büchse Drehzahlmesserwelle R50/5->	(0,97)	1,13
11b_060	1335735	Entlüftungsschlauch Motor R45/65, R60/7 Motor/Luftfilter ->09/80	(7,93)	9,20
11b_063	1338431	Entlüfter-Dichtung R50/5-R60/7 und R45/R65	(0,97)	1,13
11b_068	98141	Schraube 6-Kant	(0,13)	0,15
11b_069	98452	Federscheibe verzinkt	(0,05)	0,06
11b_070	00175	Schelle Faltenbalg	(1,28)	1,48
11b_071	1338215	Motor Entlüftungsschlauch R50/5-R90S	(12,32)	14,29
11b_073	1338430	Entlüfterdichtung R75/7-R100 hinten	(0,92)	1,07
11b_077	1338432	Entlüfter-Dichtung R75/7-R100 vorne	(0,72)	0,84
11b_083	1335732	Entlüfterschlauch R75/7-R100RS ->09/78	(9,46)	10,97
11b_085	1335734	Entlüftungsschlauch rechts R45/65, R60/7 im Luftfilter ->09/80	(7,93)	9,20
11b_086	1335733	Entlüftungsschlauch links R45/65, R60/7 im Luftfilter ->09/80	(8,45)	9,80
11b_087	1337258	Entlüftungsschlauch Motor R45-100 09/80>	(17,19)	19,94



11b_087	1337257	Motorentlüfterschlauch R80 '85->, R45/65 '78->	(12,38)	14,36
11b_088	1337108	Motorentlüftung T-Stück R60/7-R100 '76->, R45/65 '78->	(0,82)	0,95
11b_089a	1337342	Schlauchklemme Motorentlüftung für SLS	(0,92)	1,07
11b_089b	9952109	Schlauchschele	(1,02)	1,18
11b_091	1337492	Motorentlüftungsverlängerung R80 '85->, R45/65 '78->	(0,92)	1,07
11b_100a	63754	Typenschild Motor R100/7	(25,31)	29,36
11b_100b	57533	Typenschild Motor R50/5	(19,43)	22,54
11b_100c	57534	Typenschild Motor R60/5	(19,43)	22,54
11b_100d	59366	Typenschild Motor R60/6	(28,12)	32,62
11b_100e	64220	Typenschild Motor R60/7	(19,43)	22,54
11b_100f	57535	Typenschild Motor R75/5	(19,43)	22,54
11b_100h	64221	Typenschild Motor R75/7	(19,43)	22,54
11b_100i	59368	Typenschild Motor R90/6	(33,23)	38,55
11b_100j	59369	Typenschild Motor R90S	(28,38)	32,92
11b_101a	35396	Ölkühler Nachrüstsatz komplett	(219,50)	254,62
11b_108	65590	Ölpumpendistanzstück R100 Ölwanne	(1,94)	2,25
11b_115a	38511	Ölkühler-Filterdeckel R100R	(19,94)	23,13
11b_124a	35376	Ölkühler Thermostat BMW-Original	(127,82)	148,27
11b_124b	8530072	Ölkühler Thermostat R80/100GS/R	(158,50)	183,86
11b_124c	02612	Ölthermostat im Schlauch R50/5->	(43,46)	50,41
11b_125a	35390	Ölkühlerschlauch lang für Thermostat	(21,99)	25,51
11b_125b	38718	Ölkühler Schlauch Rücklauf R100R	(45,25)	52,49
11b_125c	38717	Ölkühler Schlauch Vorlauf R100R	(47,29)	54,86
11b_126	35391	Ölkühlerschlauch kurz für Thermostat	(17,90)	20,76
11b_127	38506	Ölkühler-Hohlschraube 1979->	(7,06)	8,19
11b_127a	35729	Ölkühler Hohlschraube ->1979	(6,95)	8,06



Gruppe 12: Motorelektrik



12_000	130009	Öldruckgeber mit Warnkontakt	(45,25)	52,49
12_000	104000	Öldruckgeber Teilesatz Adapter	(17,64)	20,46
12_000	1350636	Kabelbaum Motor R50/5-R90S	(27,00)	31,32



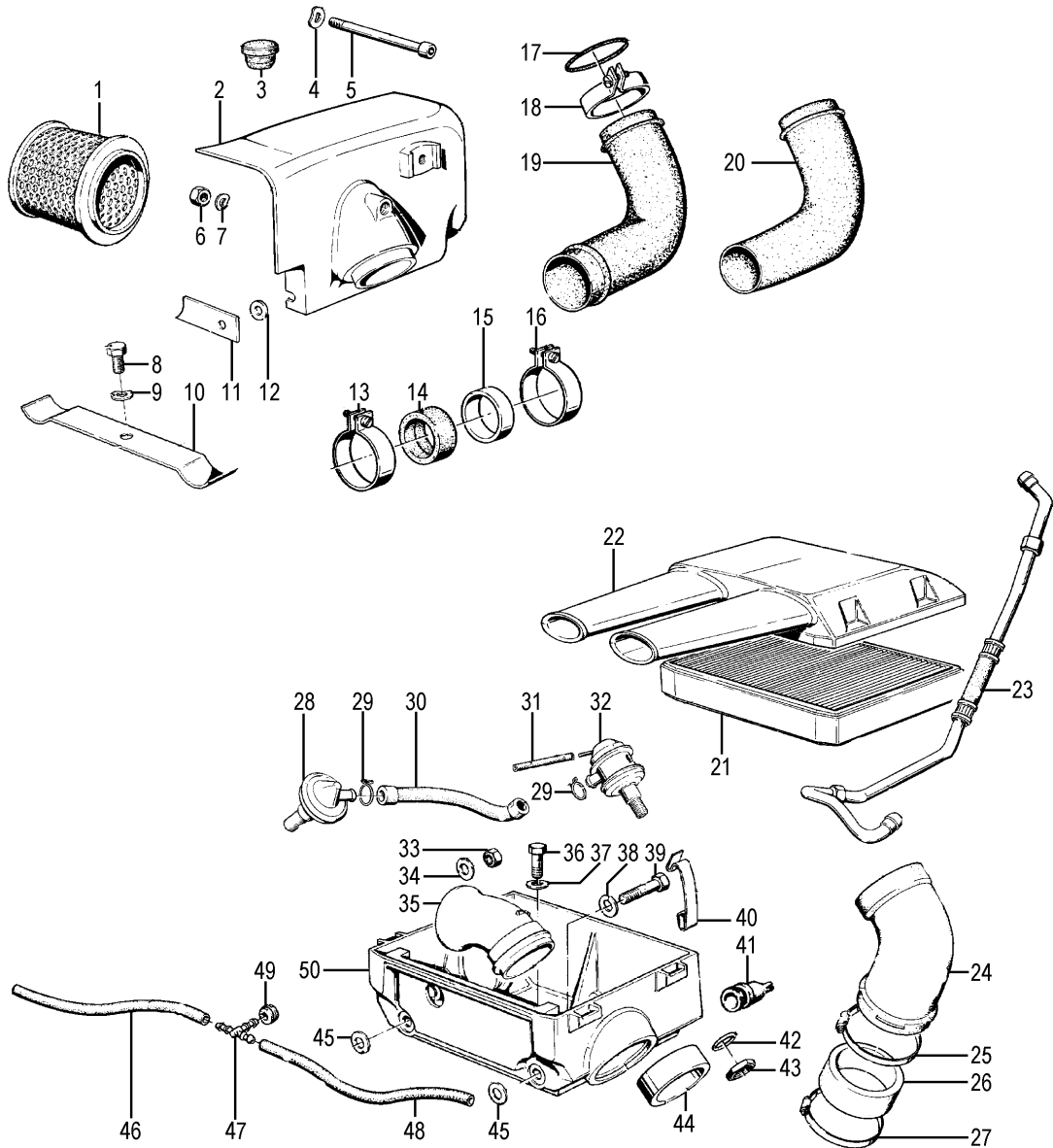
12_000	1243342	Zündkabel entstört, alte Version für R50/5-R75/7, R100	(63,57)	73,74
12_000	1243646	Kabelbaum Motor 09/80->	(15,08)	17,49
12_001a	1243441	Zündauslöser ->09/80 passend für R45/65, R80->R100	(293,99)	341,03
12_001b	1244088	Zündauslöser 09/80-> passend für R45/65, R80-R100	(258,20)	299,51
12_002	98137	Schraube Zylinderkopf-Inbus	(0,18)	0,21
12_003	98452	Federscheibe verzinkt	(0,05)	0,06
12_004	98404	Scheibe Edelstahl	(0,09)	0,10
12_005	12017	Kohlebürste R50/5-R100	(2,10)	2,44
12_006	1350786	Kohlefeder R50/5-R100	(1,43)	1,66
12_010	1243003	Kohlebürstenhalter R50/5-R100 komplett	(30,68)	35,59
12_011	98147	Schraube Zylinderkopf-Inbus	(0,26)	0,30
12_013a	02348	Ankerhalteschraube R50/5-R100	(4,04)	4,69
12_013b	06032	Ankerabdrückschraube R24-R100	(5,37)	6,23
12_014	98457	Federscheibe Edelstahl	(0,15)	0,17
12_016a	51585	Lichtmaschinenfeld 12V 280W R50/5-R90S	(89,48)	103,80
12_016b	43288	Lichtmaschinenfeld 12V 280W R60/7-R100 Bosch	(145,45)	168,72
12_016c	43289	Lichtmaschinenfeld 12V 280W R60/7-R100	(89,48)	103,80
12_019a	09100	Kollektor für Drehstrom Anker	(7,11)	8,25
12_019b	2022	Anker 12 Volt Drehstrom im Tausch	(79,25)	91,93
12_019b	20221	Anker 12 Volt Drehstrom	(104,81)	121,58
12_026	297001	Unterbrecherkontakt R45/65, R80-R100 09/78->08/80	(7,00)	8,12
12_028	1359890	Kondensator R45-R100 09/78-09/80	(5,83)	6,76
12_030	43848	O-Ring Zündbox R60/7-R100, R45/65	(1,76)	2,04
12_031	1356286	Fliehkraftregler R50/5-75/6 ->09/74	(125,00)	145,00
12_032	1356546	Fliehkraftreglerfeder 09/69->	(2,45)	2,84
12_032	1357626	Fliehkraftregler 09/74->08/78	(125,00)	145,00
12_032	56546	Fliehkraftreglerfeder-Satz 09/69->09/74	(4,24)	4,92
12_032	1357627	Fliehkraftreglerfeder-Satz	(4,91)	5,70
12_033	98454	Federscheibe verzinkt	(0,05)	0,06
12_034a	98323	Mutter verzinkt	(0,10)	0,12
12_034b	98325	Mutter Edelstahl	(0,20)	0,23
12_035	53345	Schelle Kondensatorkabel R50/5->	(0,41)	0,48
12_036a	53640	Unterbrecherkontakt-Grundplatte R50/5->, komplett	(65,96)	76,51
12_036b	1014	Unterbrecherkontakt R50/5-R100 ->08/78	(7,00)	8,12
12_037	1351564	Kondensator R50/5-R100 ->09/78	(5,01)	5,81
12_038a	98117	Schraube Zylinderkopf-Schlitz	(0,10)	0,12
12_038b	98115	Schraube Zylinderkopf-Schlitz	(0,08)	0,09
12_039	98450	Federscheibe verzinkt	(0,04)	0,05
12_042	4009	Diodenplatte R50/5-R100	(56,00)	64,96
12_043	98452	Federscheibe verzinkt	(0,05)	0,06
12_044	98143	Schraube Zylinderkopf-Inbus	(0,15)	0,17
12_047	58131	Silentblock Diodenplatte	(3,04)	3,53
12_048	98452	Federscheibe verzinkt	(0,05)	0,06
12_049a	98310	Mutter verzinkt	(0,09)	0,10
12_049b	98311	Mutter Edelstahl	(0,20)	0,23
12_050a	1389105	Anlaßrelais 09/80->	(11,12)	12,90
12_050b	1350775	Anlaßrelais R50/5-R75/5	(27,87)	32,33
12_050c	1357104	Anlaßrelais R60/6-R90S	(27,87)	32,33
12_050d	1243207	Anlaßrelais ab R60/7 ->09/80	(10,59)	12,28
12_052	98452	Federscheibe B5 verzinkt	(0,05)	0,06
12_053a	2009	Regler Drehstrom 14 Volt	(39,88)	46,26
12_053b	55457	Regler Drehstrom 14,8V Spezial	(45,35)	52,61
12_053c	44737	Regler Drehstrom für Behördenmaschinen	(65,45)	75,92
12_056	98452	Federscheibe verzinkt	(0,05)	0,06
12_057	98101	Schraube Linsensenkopf, verzinkt	(0,13)	0,15
12_058	98450	Federscheibe verzinkt	(0,04)	0,05
12_059	44477	Zündschaltgerät für Hall-Zündung	(65,45)	75,92



12_060	44328	Zündschaltgerät Kühlkörper	(3,27)	3,79
12_061	98406	Scheibe	(0,05)	0,06
12_062	98305	Mutter verzinkt	(0,04)	0,05
12_063	98461	Zahnscheibe	(0,05)	0,06
12_065a	1357500	Anlasser Bosch ->08/75	(279,17)	323,84
12_065d	1244670	Anlasser Valeo 09/75->	(178,95)	207,58
12_066a	243142	Magnetschalter 09/74->, Bosch	(65,00)	75,40
12_066b	52540	Magnetschalter ->09/74	(58,80)	68,21
12_066c	1244607	Magnetschalter Valeo	(74,93)	86,92
12_072a	98408	Scheibe	(0,05)	0,06
12_072b	98404	Scheibe Edelstahl	(0,09)	0,10
12_074	98450	Federscheibe verzinkt	(0,04)	0,05
12_076	52541	Anlasser-Reparatursatz	(25,56)	29,65
12_078	1722916	Anlasser-Buchse Kollektorseite	(1,74)	2,02
12_080	1352535	Anlasser Bürstenhalter ab R50/5	(21,73)	25,21
12_082	1352536	Kohlebürstensatz Anlasser R50/5-R100 für Bosch Anlasser	(10,84)	12,57
12_083	1352537	Kohlefeder Anlasser R50/5-R100 für Bosch Anlasser	(1,43)	1,66
12_084	1351590	Anlasser Haltewinkel ->08/88	(0,89)	1,03
12_088	1352533	Anlasserbuchse Freilaufgetriebe	(1,48)	1,72
12_089a	1243140	Anlasser Freilauf 09/75->	(38,35)	44,49
12_089b	1352532	Anlasserfreilauf ->08/75	(56,24)	65,24
12_093	1352528	Anlasser Schalthebel R50/5-R90S, ->08/74	(9,05)	10,50
12_093b	1244609	Anlasser Ausrückhebel Valeo	(12,55)	14,56
12_094	1243137	Anlasserlagerschild R60/6->	(61,36)	71,18
12_096	1352527	Anlasserbuchse Ritzelseite	(1,48)	1,72
12_098	98457	Federscheibe Edelstahl	(0,15)	0,17
12_101a	44426	Zündspule 12V 2-Funken, ab R80-> und R45/65	(96,97)	112,49
12_101b	30025	Zündspule 6V außenliegend, Durchmesser 40mm	(23,57)	27,34
12_101c	43452	Zündspule 6V außenliegend, Durchmesser 55mm, Bosch	(66,47)	77,11
12_102	43391	Schelle für Zündspule R50/5-R100	(3,45)	4,00
12_103	98454	Federscheibe verzinkt	(0,05)	0,06
12_105	36120	Kabelhülse Zündspule	(1,12)	1,30
12_106	36129	Tülle Zündspule	(0,61)	0,71
12_107	4017	Zündkabel pro Meter	(1,53)	1,77
12_108	8036160	Tülle Zündkerzenstecker R60/6->	(0,82)	0,95
12_109	43182	Zündkabel mit Stecker R50/5->	(20,20)	23,43
12_110	5005	Zündkerzenstecker	(4,35)	5,05
12_111	36168	Zündkerze R75/5-R80/7, R90/6, R90S, R100->'79	(2,45)	2,84
12_111	61280	Zündkerze R50/5-R60/7, R45/65 und R100 ab '79	(2,45)	2,84
12_111	53084	Zündkerze (225/14), normale Funkenlage	(2,45)	2,84
12_112	1244176	Kabelbaum Zündschaltgerät 09/80->	(16,36)	18,98
12_114	1243178	Kabelbaum Lima/Diodenplatte R50/5->	(7,57)	8,78
12_115a	1244475	Batteriekabel Masse R50/5->08/84	(4,67)	5,42
12_115b	1353313	Batteriekabel Plus R50/5->08/76	(9,70)	11,25
12_115c	1243874	Batteriekabel Plus 09/77->08/83	(9,97)	11,57



Gruppe 13: Kraftstoffaufbereitung

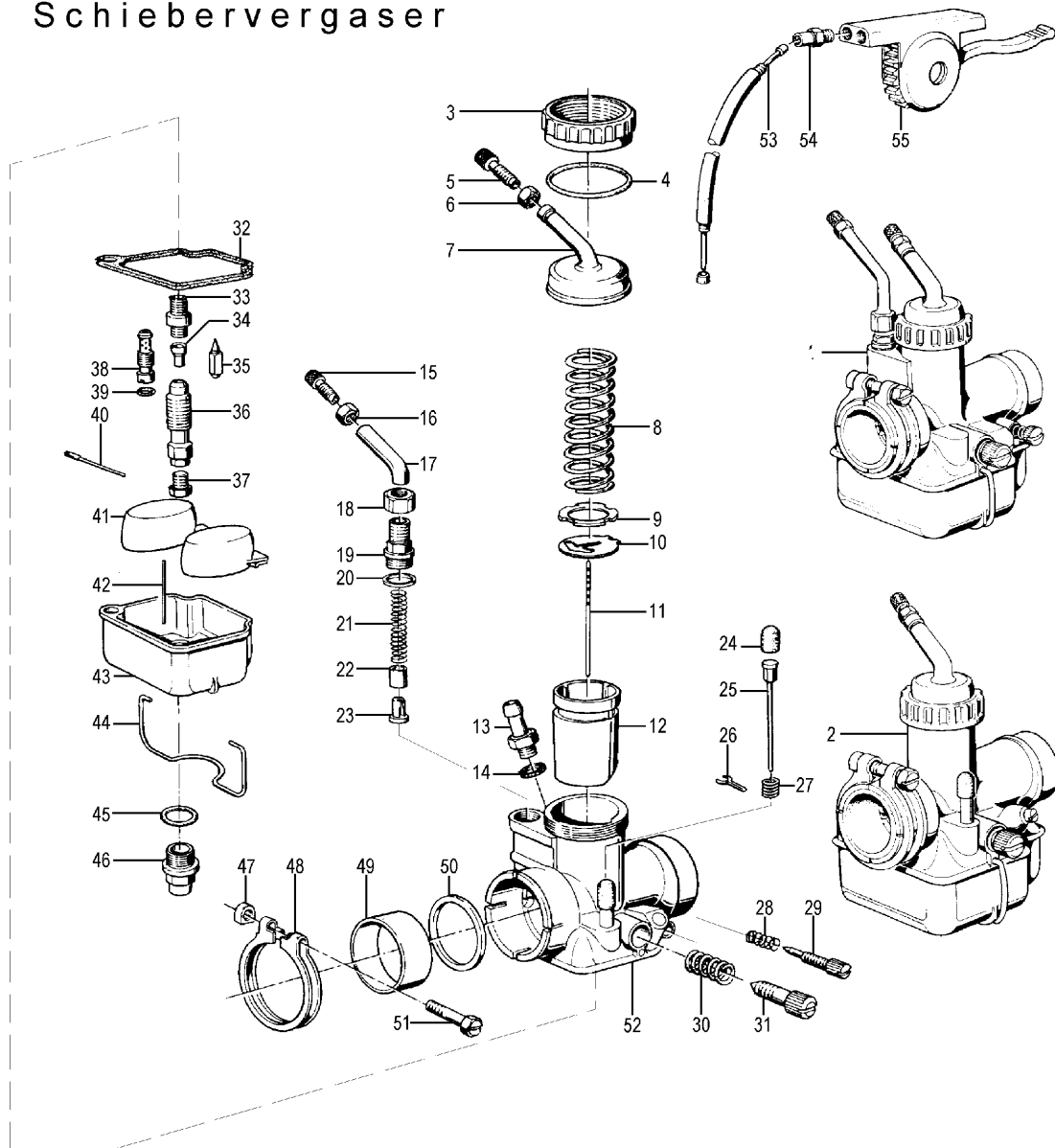


13a_000	80222	Stopfen für Choke-Befestigung/Getriebe	(0,23)	0,27
13a_001	1048	Luftfiltereinsatz R50/5-R100 ->09/80	(8,44)	9,79
13a_005	54042	Schraube Ansauggehäuse R90S	(10,12)	11,74
13a_006	13432	Mutter M8 mit Bund, Luftfilter R50/5->	(0,36)	0,42
13a_008a	98201	Schraube 6-Kant, verzinkt	(0,13)	0,15
13a_008b	098201	Schraube 6-Kant, Edelstahl	(0,26)	0,30
13a_009	98457	Federscheibe Edelstahl	(0,15)	0,17
13a_011	1335977	Federlasche Luftfiltergehäuse R50/5->	(0,77)	0,89
13a_012	3060174	Distanzscheibe Luftfiltergehäuse	(0,33)	0,38
13a_014a	1254200	Ansauggummi R50/5-60/7 26mm für Ansaugrohr/Vergaser	(4,19)	4,86
13a_014b	1257395	Ansauggummi R75/5-/7, R90/6, R80/7, R100-/7 Vergaser/Rohr	(2,71)	3,14
13a_014c	1338360	Ansauggummi 54mm R100RS, RT 87->95	(3,63)	4,21
13a_014d	1259820	Ansauggummi R90S Vergaser/Ansaugrohr	(3,32)	3,85
13a_015	1260342	Ansauggummi-Stützring R90S	(9,00)	10,44
13a_017	57763	O-Ring Ansaugrohr R50/5-100/7 -> '81	(0,92)	1,07
13a_019a	1258059	Ansaugrohr 75/5-100/7 links für 32 mm Vergaser	(7,06)	8,19
13a_019b	1258060	Ansaugrohr 75/5-100/7 rechts für 32 mm Vergaser	(7,06)	8,19



13a_019c	1262788	Ansaugrohr R100 rechts (40mm Vergaser)	(7,06)	8,19
13a_019d	1262787	Ansaugrohr R80, R100 links, 40mm-Vergaser	(7,06)	8,19
13a_020a	1251612	Ansaugrohr R50/5-R60/7 rechts	(6,60)	7,66
13a_020b	1251611	Ansaugrohr R50/5-R60/7 links	(6,60)	7,66
13a_021	9048	Luftfiltereinsatz rechteckig 09/80-> R45/65-R100	(19,43)	22,54
13a_022	1460337	Luftfiltereinsatz K-Modelle '85->	(17,90)	20,76
13a_022	1337675	Luftfiltergehäuse R65 09/80-> oben	(11,20)	12,99
13a_024a	1335111	Ansaugrohr R45/65	(5,57)	6,46
13a_024b	1335112	Ansaugrohr R45/65 rechts ->09/80	(5,57)	6,46
13a_026	1264392	Ansauggummi 40mm-Vergaser 09/75->08/86	(3,83)	4,44
13a_033a	98352	Mutter verzinkt	(0,18)	0,21
13a_033b	98353	Mutter Edelstahl	(0,33)	0,38
13a_037	98416	Scheibe Edelstahl	(0,15)	0,17
13a_038	98416	Scheibe Edelstahl	(0,15)	0,17
13a_040	37105	Luftfilterdeckel Haltebügel R80/100 81-> R45/65	(1,94)	2,25
13a_042	63132	Dichtring Alu	(0,26)	0,30
13a_045	98416	Scheibe Edelstahl	(0,15)	0,17

Gruppe 13: Bing Schiebervergaser





13b_000	39001	Dichtsatz Vergaser R50/5-R60/7	(3,90)	4,52
13b_002a	59265	Vergaser R60/5-R60/7 links, Ersatz für rechts	(210,00)	243,60
13b_004	54932	O-Ring Schieberdeckel R50/5-R60/7	(0,79)	0,92
13b_005	39178	Gaszugstellschraube M6	(1,43)	1,66
13b_005b	42111	Gaszugtülle am Vergaser, groß	(0,92)	1,07
13b_006	39182	Mutter Gaszugeinstellschraube M6	(0,20)	0,23
13b_007a	54930	Schieberdeckel R50/5-R60/7 links	(8,08)	9,37
13b_007b	54931	Schieberdeckel R50/5-R60/7 rechts	(8,08)	9,37
13b_007c	54933	Schieberdeckel Ersatz für R50/5-60/7 mit Rohrbogen, links und rechts	(12,48)	14,48
13b_008	54929	Schieberfeder R50/5-R60/7	(1,84)	2,13
13b_009	59276	Scheibe Halteplatte Vergaser R50/5-60/7	(0,46)	0,53
13b_010	1254927	Halteplättchen Düsennadel R50/5-R60/7	(0,41)	0,48
13b_011	1254926	Düsennadel R50/5-R60/7	(2,45)	2,84
13b_012	54925	Vergaserschieber R50/5-R60/7	(9,00)	10,44
13b_014	1254920	Dichtring Schlauchanschluß R50/5-60/7	(0,41)	0,48
13b_017	1261351	Chokezug Rohrbogen R60/6, /7,T	(3,68)	4,27
13b_017b	61350	Schieberdeckel-Rohrbogen R50/5-R60/7	(5,01)	5,81
13b_019b	1261348	Überwurfmutter Choke-Rohrbogen R60/6, R60/7, R60T, mit O-Ring	(1,94)	2,25
13b_019b	1261347	Schraubstutzen für Rohrbogen R60/6-R60/7	(3,48)	4,04
13b_021	61345	Startkolbenfeder R60/6-R60/7	(0,56)	0,65
13b_022	1335688	Hülse für Startkolben R60/6, R60/7	(0,92)	1,07
13b_023	35687	Vergaser-Startkolben R60/6-R60/7	(1,79)	2,08
13b_025	54911	Vergasertupfer R50/5-R60/6, ->'74	(3,02)	3,50
13b_026	39165	Vergasertupfer-Splint	(0,13)	0,15
13b_027	54912	Vergasertupfer-Feder R50/5-R60/6, ->'74	(0,56)	0,65
13b_028	1254918	Gemischregulierschraubenfeder R50/5-R60/7	(0,56)	0,65
13b_029	1254917	Gemischregulierschraube 50/5-R60/7	(2,55)	2,96
13b_030	1254922	Schieberschraubenfeder R50/5-R60/7	(0,61)	0,71
13b_031	54921	Schieberanschlagschraube R50/5-R60/7	(2,45)	2,84
13b_032	1254924	Dichtung Schwimmerkammer R50/5-R60/7	(1,94)	2,25
13b_034a	54909	Nadeldüse #2.64, R50/5-R60/7	(3,02)	3,50
13b_034b	54910	Nadeldüse #2.66, R50/5-R60/7	(3,02)	3,50
13b_034c	54914	Nadeldüse #2.68, R50/5-R60/7	(3,02)	3,50
13b_034d	54919	Nadeldüse #2.70, R50/5-R60/7	(3,02)	3,50
13b_034e	54907	Nadeldüse #2.73, R50/5-R60/7	(3,02)	3,50
13b_035a	25049	Schwimmernadel "Alt" R50/5-R90/6, Vergasertyp 53 und 64-0	(5,47)	6,35
13b_035b	35318	Schwimmernadel "Neu" R50/5-R100, Vergasertyp 53, 64-2,-3 und 94	(7,82)	9,07
13b_036	1255816	Beschleunigerpumpen-Zylinder R50/5-R60/7 (Schiebervergaser Typ 53-2)	(20,96)	24,31
13b_037a	39140	Hauptdüse Schlitz Größe 135	(2,10)	2,44
13b_037b	39141	Hauptdüse Schlitz Größe 140	(2,10)	2,44
13b_038a	55557	Leerlaufdüse #40, R50/5-R100->'79, R75/5 ab FgstNr: 2977321	(7,13)	8,27
13b_038b	57813	Leerlaufdüse #45, R50/5-R100->'79, R75/5 ab FgstNr: 2977321	(7,41)	8,60
13b_038c	57814	Leerlaufdüse #50, R50/5-R100->'79, R75/5 ab FgstNr: 2977321	(7,13)	8,27
13b_039	54735	O-Ring Leerlaufdüse R50/5-R100 und Gemischregulierschraube R75/5-100	(0,61)	0,71
13b_040	54768	Schwimmerachse ab R50/5	(0,46)	0,53
13b_041	54766	Schwimmer geteilt ab R50/5	(10,14)	11,76
13b_043	54923	Schwimmerkammer R50/5-R60/6, ->08/74 für Vergaser ohne Beschleunigerpumpe	(7,41)	8,60
13b_046	55817	Verschlußschraube Schwimmerkammer R50/5-R60/6	(2,97)	3,45
13b_047	39284	Mutter Klemmschraube Vergaser R50/5-R75/5	(0,26)	0,30
13b_048	1254913	Klemmring Vergaser R50/5-R60/7	(2,74)	3,18
13b_049	1255975	Isolierbüchse Vergaser R50/5-60/7	(3,53)	4,09
13b_050	1255974	Isolierscheibe Vergaser R50/5-R60/7	(0,51)	0,59
13b_051	36968	Schraube Klemmring Vergaser	(0,92)	1,07
13b_053a	1260365	Chokezug R60/5-R60/7 kurz	(9,25)	10,73
13b_053b	1260366	Chokezug R60/5-R60/7 lang	(9,25)	10,73

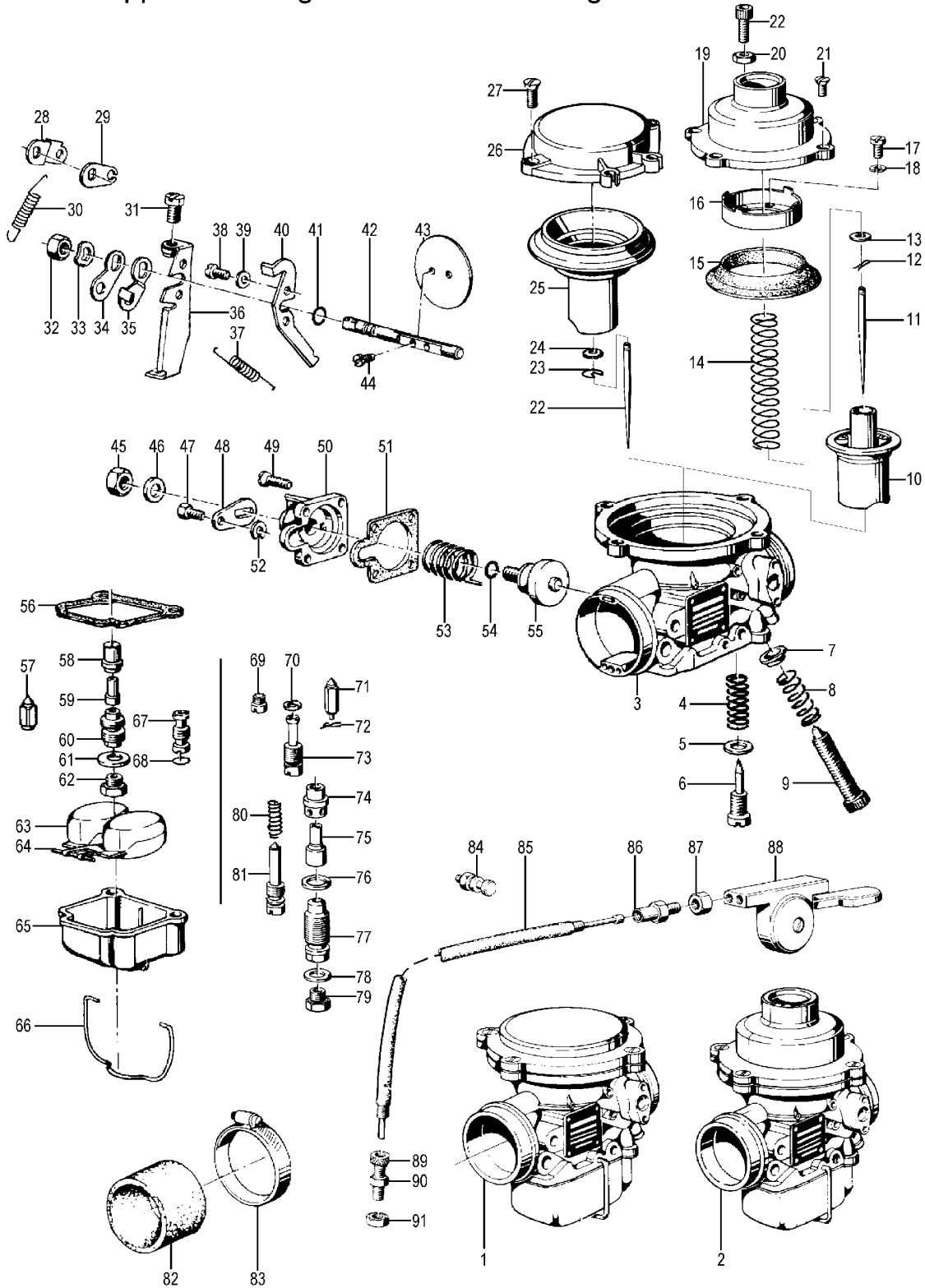


www.UlisMotorradladen.de - Info@UlisMotorradladen.de

13b_053c	1260644	Chokezug R90S links/rechts	(3,32)	3,85
13b_054	1260368	Chokezug Nippel/Regulierhebel R60/6-R90S	(1,38)	1,60
13b_055	1260191	Chokehebel R60/5->	(24,69)	28,64
13b_056	00054	Kolben Beschleunigerpumpe R50/5-R60/7	(1,74)	2,02
13b_057	00050	Ventil-Beschleunigerpumpe R50/5-R60/7 (0,31)	0,36	
13b_058	00052	Verschraubung Beschleunigerpumpe R50/5-R60/7	(1,33)	1,54
13b_059	00051	Feder Beschleunigerpumpe R50/5-60/7	(0,56)	0,65
13b_060	00053	Verschlußschraube Düsenstock R50/5-R60/7 Beschleunigerpumpe	(1,94)	2,25
13b_060	39131	Hauptdüse Schlitz Größe 90	(2,10)	2,44
13b_060	39132	Hauptdüse Schlitz Größe 95	(2,10)	2,44
13b_060	39133	Hauptdüse Schlitz Größe 100	(2,10)	2,44
13b_060	39134	Hauptdüse Schlitz Größe 105	(2,10)	2,44
13b_060	39135	Hauptdüse Schlitz Größe 110	(2,10)	2,44
13b_060	39136	Hauptdüse Schlitz Größe 115	(2,10)	2,44
13b_060	39137	Hauptdüse Schlitz Größe 120	(2,10)	2,44
13b_060	39138	Hauptdüse Schlitz Größe 125	(2,10)	2,44
13b_060	39139	Hauptdüse Schlitz Größe 130	(2,10)	2,44
13b_060	39140	Hauptdüse Schlitz Größe 135	(2,10)	2,44
13b_060	39141	Hauptdüse Schlitz Größe 140	(2,10)	2,44
13b_060	39142	Hauptdüse Schlitz Größe 145	(2,10)	2,44
13b_060	39143	Hauptdüse Schlitz Größe 150	(2,15)	2,49
13b_060	39144	Hauptdüse Schlitz Größe 155	(2,10)	2,44
13b_060	39145	Hauptdüse Schlitz Größe 160	(2,10)	2,44
13b_060a	42122	Dichtring Siebschraube Verschlußschraube R50/5-R60/7 53er	(0,41)	0,48



Gruppe 13: Bing Membranvergaser



13c_00	57812	O-Ring Düsenstock R75/5-R100	(0,56)	0,65
13c_00	59869	Schraube Unterdruckanschluß R75/5-R100	(0,31)	0,36
13c_00	59870	Dichtring Unterdruckschraube R75/5-R100	(0,33)	0,38
13c_00	39002	Dichtsatz Vergaser R75/5-R100	(4,90)	5,68
13c_00	1338241	Düsennadel Verschraubung 09/82->	(0,95)	1,10



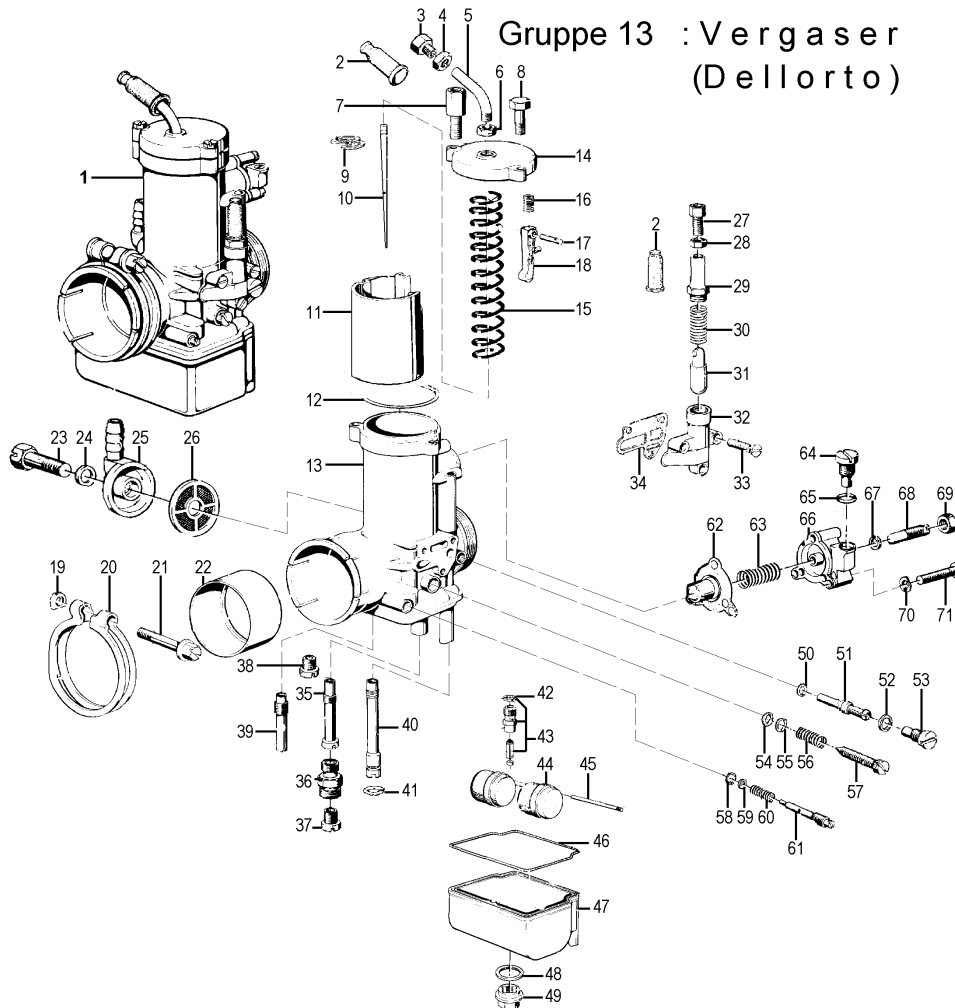
13c_001e	37433	Vergaser R100/7-100RT links '81->	(255,65)	296,55
13c_001f	37434	Vergaser R100/7-100RT rechts '81->	(255,65)	296,55
13c_002a	53858	Vergaser R75/5-R100/7, links, ->'81	(237,24)	275,20
13c_002b	53857	Vergaser R75/5-R100/7, rechts, ->'81	(237,24)	275,20
13c_002c	37815	Vergaser R80-R80GS links	(237,24)	275,20
13c_002d	37816	Vergaser R80-R80GS rechts	(237,24)	275,20
13c_002g	38365	Vergaser R100GS links '90->	(255,65)	296,55
13c_002h	38366	Vergaser R100GS rechts '90->	(255,65)	296,55
13c_004	1254736	Gemischregulierschrauben-Feder R75/5	(0,56)	0,65
13c_006	1335302	Gemischregulierschraube R75/5-R100	(2,45)	2,84
13c_008	54751	Schieberanschlagschrauben-Feder R75/5->	(0,92)	1,07
13c_009	1254750	Drosselklappen Stellschraube R75/5-R100	(2,76)	3,20
13c_011a	1255840	Düsennadel R75/5->R90/6, R80->05/83 R45/65->09/82 (64er)	(2,71)	3,14
13c_011b	1335321	Düsennadel R100/7, RS, R80 (94er)	(2,71)	3,14
13c_011b	1337692	Düsennadel R80, R100 09/80->, R65 09/82-> (64er)	(2,30)	2,67
13c_011d	1338522	Düsennadel R100 '88->	(2,15)	2,49
13c_012	1254771	Düsennadel-Halterfeder R75/5-R100	(0,95)	1,10
13c_013	1254773	Düsennadel-Zackenring R75/5-R100	(0,41)	0,48
13c_014	35324	Schieberfeder R80/7-R100RS Vergaser Typ 64-3 und 94	(3,91)	4,54
13c_014b	1338134	Schieberfeder R65-R100 '85->	(3,27)	3,79
13c_015a	35322	Membran für Vergaser 94/40/...	(12,48)	14,48
13c_015b	54774	Membran für Vergaser 64/32/... Auch für "Flachdeckel"-Vergaser	(6,90)	8,00
13c_016a	54775	Membran-Haltering R75/5-R100/7 ->'79 Typ 64-0	(4,85)	5,63
13c_016c	35323	Membran-Haltering R100S, RS, RT, 40er-Vergaser, Typ 94/40/....	(4,85)	5,63
13c_016d	1337358	Membran-Haltering R65-R100 '79 -> Typ 64/32/....	(4,85)	5,63
13c_017	37359	Schraube Drosselklappenhebel und Membranbefestigung R75/5-R100	(0,41)	0,48
13c_021	37361	Schieberdeckel Schraube R75/5-R100 Kreuzschlitz, alle Membran-Vergaser(0,31)		0,36
13c_021b	37362	Schieberdeckel Schraube R75/5-R100 Flachschritz, alle Membran-Vergaser	(0,41)	0,48
13c_022	1230840	Gaszugstellschraube R75/5->, M6 mit Mutter	(2,25)	2,61
13c_023	1338242	Düsennadel Klemmring 09/82->	(0,41)	0,48
13c_025a	36880	Vergaserschieber mit Mebran für Vergaser: 64/32/219-220	(44,07)	51,12
13c_025b	36881	Vergaserschieber mit Membran für Vergaser: 64/26/201-202, R45N	(44,07)	51,12
13c_025c	1336609	Vergaserschieber R80/7, R80T mit Membran	(45,00)	52,20
13c_025c	1336878	Vergaserschieber mit Membran R45	(44,07)	51,12
13c_028	1337369	Chokehebel Vergaser 09/80->	(2,30)	2,67
13c_029	1337368	Chokehebel Vergaser 09/80->	(0,51)	0,59
13c_030	1337409	Chokehebel Zugfeder R100R,S,RS,RT	(1,23)	1,43
13c_031	1335311	Drosselklappen Stellschraube R80/7-R100	(1,07)	1,24
13c_032	54760	Mutter Drosselwelle 64er M8	(0,38)	0,44
13c_034	1335310	Gashebel Vergaser 09/78->	(1,48)	1,72
13c_034	1335608	Drosselhebel außen ->09/78	(1,48)	1,72
13c_035a	1335308	Gashebel Vergaser links 09/78->	(0,97)	1,13
13c_035a	1335609	Drosselhebel innen links ->09/78	(0,97)	1,13
13c_035b	1335309	Gashebel Vergaser rechts 09/78->	(0,97)	1,13
13c_035b	1335607	Drosselhebel innen rechts ->09/78	(0,97)	1,13
13c_036	1335305	Halterung Drosselklappenbetätigung rechts, Membranvergaser	(5,06)	5,87
13c_037a	1254908	Drosselklappen Zugfeder R75/5-R100/7	(1,30)	1,51
13c_037b	1335512	Drosselklappen Zugfeder R100S, RS, RT, R	(1,30)	1,51
13c_037c	1335606	Drosselklappen Zugfeder R80/7-R100, R45/65	(1,30)	1,51
13c_037c	1335312	Chokehebel Zugfeder R80/7-R100	(1,23)	1,43
13c_041	54739	O-Ring Drosselachse R75/5-R100	(0,72)	0,84
13c_042a	1335745	Drosselklappenwelle R100, R80 '85->	(6,14)	7,12
13c_042b	1336585	Drosselklappenwelle R100 1987->	(4,35)	5,05
13c_043a	1335605	Drosselklappe R75/5-R100RT ->09/78	(2,05)	2,38
13c_043b	1335746	Drosselklappe R100 09/78->	(3,32)	3,85
13c_044	1254738	Drosselklappen-Befestigungsschraube R75/5-R100, Typ 64-2 bis '94	(0,31)	0,36



13c_047	1254757	Chokezug Nippelaufnahme/Vergaser R75/5 bis 12/70	(1,79)	2,08
13c_048a	1254755	Chokehebel Vergaser R75/5 ->12/70	(5,47)	6,35
13c_048b	1335315	Chokehebel Vergaser R75/5-R100 ->08/80	(4,19)	4,86
13c_049	37367	Schraube Startvergaserbefestigung R75/5>	(0,28)	0,32
13c_051	1256353	Dichtung Startvergaser R75/5-R100	(0,61)	0,71
13c_052	1254758	Chokezug Nippelaufnahme Sicherung->12/70	(0,31)	0,36
13c_054	57819	O-Ring Starterachse R75/5-R100	(0,82)	0,95
13c_056	1254764	Dichtung Schwimmerkammer R75/5-R100	(1,99)	2,31
13c_057a	25049	Schwimmernadel "Alt" R50/5-R90/6, Vergasertyp 53 und 64-0	(5,47)	6,35
13c_057b	35318	Schwimmernadel "Neu" R50/5-R100, Vergasertyp 53, 64-2,-3 und 94	(7,82)	9,07
13c_058b	60973	Zerstäuber R75/5-R100 (Membranvergaser)	(1,92)	2,23
13c_059a	35744	Nadeldüse #2.64, R75/5-R100	(3,02)	3,50
13c_059b	61702	Nadeldüse #2.66, R75/5-R100	(3,02)	3,50
13c_059c	60971	Nadeldüse #2.68, R75/5-R100	(3,02)	3,50
13c_059d	57810	Nadeldüse #2.70, R75/5-R100	(3,02)	3,50
13c_059e	54729	Nadeldüse #2.73, R75/5-R100	(3,02)	3,50
13c_059f	28028	Nadeldüse #2.62, R75/5-R100	(3,02)	3,50
13c_059g	45196	Nadeldüse #2.60, R75/5-R100	(3,02)	3,50
13c_060a	1335600	Düsenstock R75/5-R80 (64er)	(2,45)	2,84
13c_060b	1335298	Düsenstock R100/7, RS, R80, (94er)	(2,97)	3,45
13c_061	54732	Scheibe Hauptdüse Membranvergaser	(0,26)	0,30
13c_062a	39240	Hauptdüse 6-Kant Größe 135	(2,51)	2,91
13c_062b	39242	Hauptdüse 6-Kant Größe 145	(2,40)	2,78
13c_062c	39243	Hauptdüse 6-Kant Größe 150	(2,40)	2,78
13c_062d	39245	Hauptdüse 6-Kant Größe 160	(2,40)	2,78
13c_062e	39246	Hauptdüse 6-Kant Größe 165	(2,40)	2,78
13c_062f	39247	Hauptdüse 6-Kant Größe 170	(2,40)	2,78
13c_063	54766	Schwimmer geteilt ab R50/5	(10,14)	11,76
13c_064	54768	Schwimmerachse ab R50/5	(0,46)	0,53
13c_065a	54763	Schwimmerkammer links R75/5-R90/6	(11,50)	13,34
13c_065b	54762	Schwimmerkammer rechts R75/5-R90/6	(11,50)	13,34
13c_065c	35317	Schwimmerkammer rechts R100	(10,48)	12,16
13c_065d	35316	Schwimmerkammer links R100	(12,94)	15,01
13c_067a	61704	Leerlaufdüse #40, R75/5-> FgstNr:2977320	(7,11)	8,25
13c_067b	54734	Leerlaufdüse #45, R75/5-> FgstNr:2977320	(7,11)	8,25
13c_067b	35602	Leerlaufdüse #50, R75/5-> FgstNr:2977320	(7,11)	8,25
13c_068	54735	O-Ring Leerlaufdüse R50/5-R100 und Gemischregulierschraube R75/5-100(0,61)	(0,61)	0,71
13c_072	35320	Schwimmernadelfeder R80/7-R100	(0,36)	0,42
13c_073a	54913	Leerlaufdüse #30, R60/7-R100 '79 ->	(7,41)	8,60
13c_073b	54915	Leerlaufdüse #35, R60/7-R100 '79 ->	(7,41)	8,60
13c_073c	54916	Leerlaufdüse #40, R60/7-R100 '79 ->	(7,41)	8,60
13c_073d	36924	Leerlaufdüse #45, R60/7-R100 '79 ->	(7,41)	8,60
13c_073e	36949	Leerlaufdüse #50, R60/7-R100 '79 ->	(7,41)	8,60
13c_073f	36950	Leerlaufdüse #55, R60/7-R100 '79 ->	(7,41)	8,60
13c_079	39231	Hauptdüse 6-kant Größe 90	(2,40)	2,78
13c_079	39247	Hauptdüse 6-Kant Größe 170	(2,40)	2,78
13c_079	39246	Hauptdüse 6-Kant Größe 165	(2,40)	2,78
13c_079	39232	Hauptdüse 6-Kant Größe 95	(2,40)	2,78
13c_079	39233	Hauptdüse 6-Kant Größe100	(2,40)	2,78
13c_079	39234	Hauptdüse 6-Kant Größe 105	(2,40)	2,78
13c_079	39235	Hauptdüse 6-Kant Größe 110	(2,40)	2,78
13c_079	39236	Hauptdüse 6-Kant Größe 115	(2,40)	2,78
13c_079	39237	Hauptdüse 6-Kant Größe 120	(2,40)	2,78
13c_079	39238	Hauptdüse 6-Kant Größe 125	(2,40)	2,78
13c_079	39239	Hauptdüse 6-Kant Größe 130	(2,40)	2,78
13c_079	39240	Hauptdüse 6-Kant Größe 135	(2,51)	2,91
13c_079	39241	Hauptdüse 6-Kant Größe 140	(2,40)	2,78



13c_079	39242	Hauptdüse 6-Kant Größe 145	(2,40)	2,78
13c_079	39243	Hauptdüse 6-Kant Größe 150	(2,40)	2,78
13c_079	39244	Hauptdüse 6-Kant Größe 155	(2,40)	2,78
13c_079	39245	Hauptdüse 6-Kant Größe 160	(2,40)	2,78
13c_079	39248	Hauptdüse 6-Kant Größe 175	(2,40)	2,78
13c_079	13176	Hauptdüse 6-Kant Größe 176	(2,40)	2,78
13c_079	13178	Hauptdüse 6-Kant Größe 178	(2,40)	2,78
13c_079	39249	Hauptdüse 6-kant Größe 180	(2,40)	2,78
13c_079	39250	Hauptdüse 6-kant Größe 185	(2,40)	2,78
13c_079	39252	Hauptdüse 6-Kant Größe 190	(2,40)	2,78
13c_082a	1254654	Ansauggummi R75/5-100/7, 32mm, (Kopf/ Vergaser) und R80/7 '81->(Vergaser/Rohr)	(3,83)	4,44
13c_082b	1257395	Ansauggummi R75/5-/7, R90/6, R80/7, R100-/7 Vergaser/Rohr	(2,71)	3,14
13c_083	61026	Schelle Ansauggummi R75/5	(1,28)	1,48
13c_084	9057338	Chokezug-Klemmschraube R75/5-R100->08/80	(2,98)	3,46
13c_085a	1252826	Chokezug R75/5 flexibel kurz	(5,01)	5,81
13c_085b	1252827	Chokezug R75/5 flexibel lang	(5,01)	5,81
13c_085c	1255976	Chokezug R75/5-R100 steif kurz ->08/80	(5,29)	6,14
13c_085d	1255977	Chokezug R75/5-R100 steif lang ->08/80	(5,82)	6,75
13c_086	1256019	Chokezug Nippel/Regulierhebel R75/5-R100 ->08/80	(1,64)	1,90
13c_087	21038	Mutter Stellschraube Vergaser M5	(0,18)	0,21
13c_088	1260191	Chokehebel R60/5->	(24,69)	28,64
13c_091	39182	Mutter Gaszugeinstellschraube M6	(0,20)	0,23



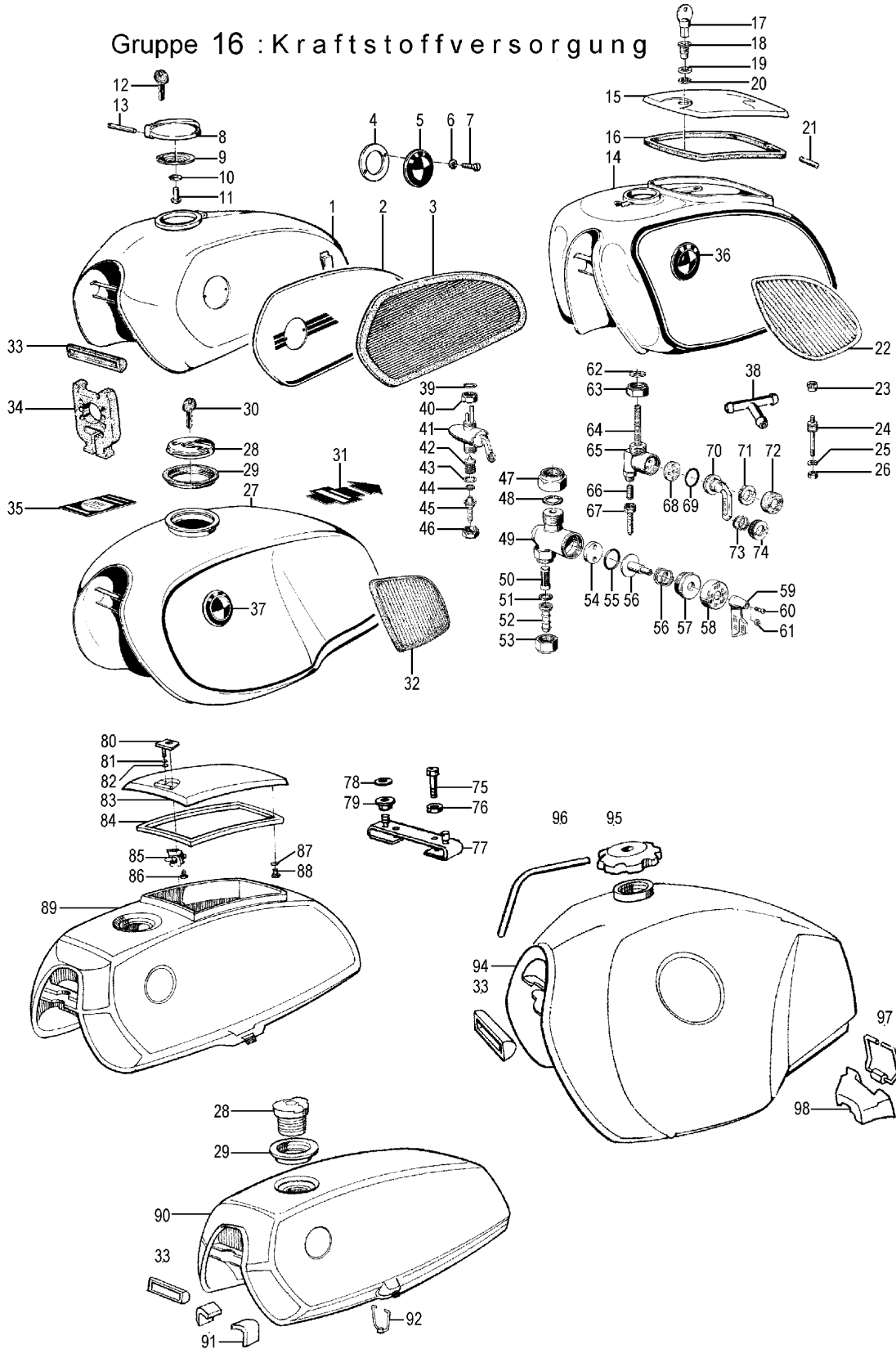
13d_000	39006	Dichtsatz Vergaser R90S, Dellorto	(5,91)	6,86
---------	-------	-----------------------------------	--------	------



13d_001	62398	Vergaser Dellorto R90S links	(218,18)	253,09
13d_002	1260874	Gaszugtülle Dellorto	(0,61)	0,71
13d_008	1260845	Schieberdeckelschraube R90S	(0,56)	0,65
13d_009	1260880	Düsennadel Haltefeder Dellorto	(0,46)	0,53
13d_010	1260882	Düsennadel Dellorto	(4,30)	4,99
13d_011	260881	Vergaserschieber R90S	(31,96)	37,07
13d_012	260883	O-Ring Schieberdeckel Dellorto	(1,35)	1,57
13d_014	260846	Schieberdeckel Dellorto	(3,48)	4,04
13d_015	260879	Schieberfeder Dellorto	(1,84)	2,13
13d_016	1260848	Feder Benzinpumpe Dellorto	(0,18)	0,21
13d_017	1260847	Bolzen Benzinpumpe Dellorto	(0,90)	1,04
13d_018	1260849	Hebel Benzinpumpe Dellorto	(1,07)	1,24
13d_021	36968	Schraube Klemmring Vergaser	(0,92)	1,07
13d_022	1260885	Isolierbüchse Vergaser R90S	(2,15)	2,49
13d_024	1260890	Dichtring Dellorto Schlauchanschluß	(0,33)	0,38
13d_026	260888	Sieb Dellorto Schlauchanschluß	(1,18)	1,37
13d_030	1261353	Feder Choke Dellorto	(0,97)	1,13
13d_031	261354	Ventil Choke Dellorto	(1,20)	1,39
13d_034	1261357	Dichtung Ventilkörper R90S	(1,48)	1,72
13d_035	1260871	Vorzerstäuber Dellorto	(6,10)	7,08
13d_036	1260872	Düsenstock Dellorto	(4,65)	5,39
13d_037	1260873	Hauptdüse Dellorto Größe 155	(1,94)	2,25
13d_038	260893	Leerlaufdüse Dellorto R90S	(1,43)	1,66
13d_039	260892	Ventil (Schwimmerkammer) Dellorto	(5,62)	6,52
13d_040	1261358	Einspritzdüse Dellorto	(1,74)	2,02
13d_041	260861	O-Ring Anreicherungsventil Dellorto und Einspritzdüse	(0,61)	0,71
13d_042	1260894	Dichtring Schwimmemadel Dellorto	(0,31)	0,36
13d_043	260895	Schwimmemadelsatz Dellorto	(9,46)	10,97
13d_044	260896	Schwimmer Dellorto	(7,46)	8,65
13d_046	260898	O-Ring Schwimmerkammer Dellorto	(1,92)	2,23
13d_047	260899	Schwimmerkammer Dellorto	(7,72)	8,96
13d_048	1260900	Dichtring Schwimmerkammer-Verschlußschraube Dellorto	(0,41)	0,48
13d_049	260901	Schwimmerkammer Verschlußschraube Dellorto	(6,54)	7,59
13d_052	1260855	Dichtring Düsenhalter Dellorto	(0,33)	0,38
13d_056	1260857	Feder Stellschraube Dellorto	(0,38)	0,44
13d_058	260850	O-Ring Regulierschraube Dellorto	(0,61)	0,71
13d_059	1260858	Scheibe Gemischregulierschraube Dellorto	(0,55)	0,64
13d_060	1260852	Feder Gemischregulierschraube Dellorto	(0,28)	0,32
13d_061	1260853	Gemischregulierschraube R90S	(2,00)	2,32
13d_062	260870	Membran für Dellorto Vergaser	(6,39)	7,41
13d_063	1260869	Feder Pumpendeckel Dellorto	(0,49)	0,57
13d_064	260860	Pumpenventil Dellorto	(3,68)	4,27
13d_065	260859	O-Ring Pumpenventil Dellorto und Stellschraube unten	(0,56)	0,65
13d_067	260863	O-Ring Stellschraube Pumpendeckel Dellorto	(0,61)	0,71
13d_25	1260889	Schlauchanschlußdeckel Dellorto	(4,60)	5,34



Gruppe 16 : Kraftstoffversorgung



16_000	37553	Tankauflege hinten R45/65 rechts	(1,84)	2,13
16_000	99200	Schelle Benzinschlauch, Schneckengewinde	(0,97)	1,13
16_000	37552	Tankauflege hinten R45/65 links	(8,85)	10,27
16_000	99201	Schelle Benzinschlauch, Spannbackenzug	(0,97)	1,13

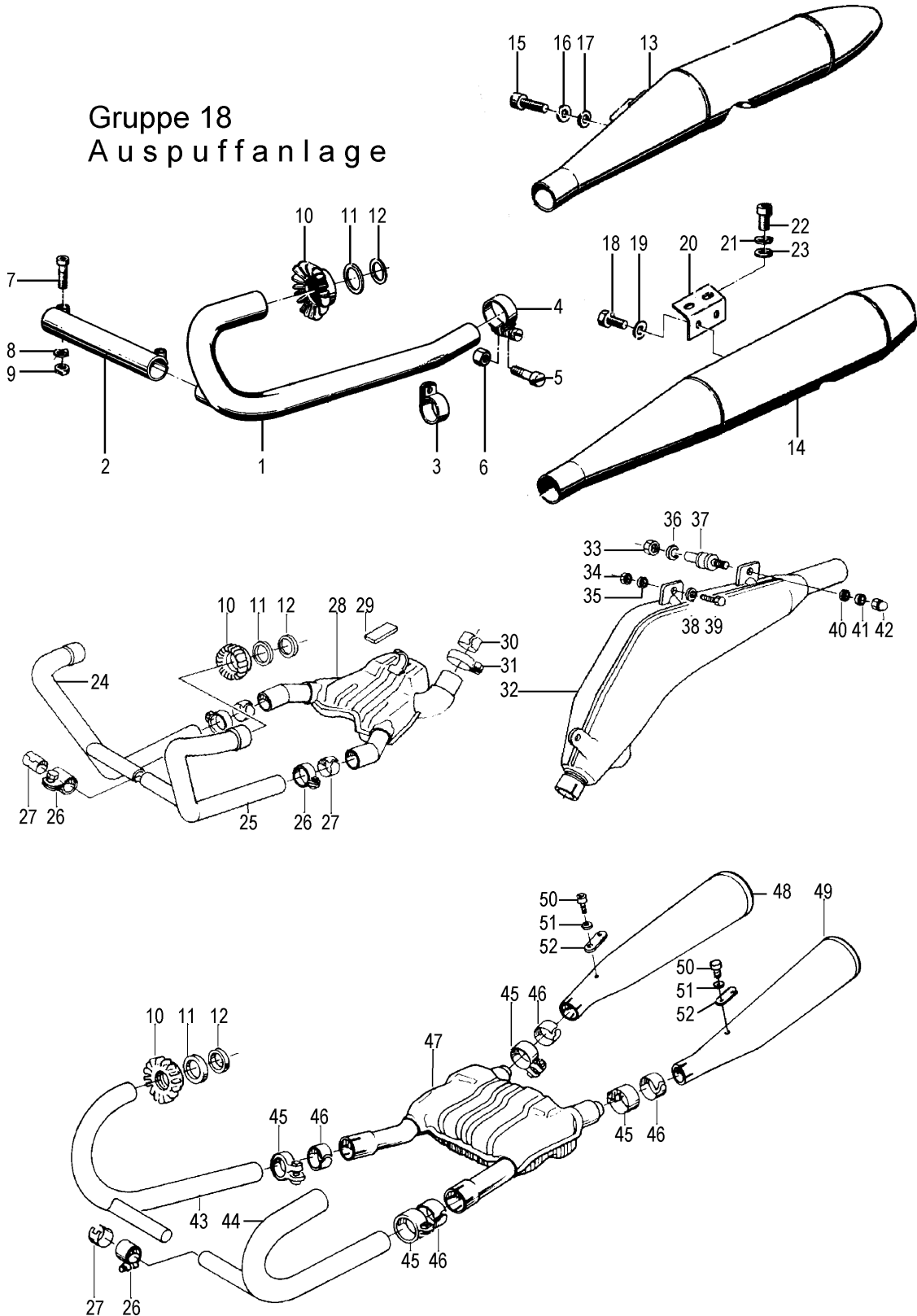


16_000	1237912	Tank-Überlaufschlauch R60/7-R100, R45/65	(2,02)	2,34
16_001a	32001	Tank R50/5-R75/5, 17 Liter, schwarz, für Chromblenden	(562,42)	652,41
16_003a	1232235	Kniekissen R50/5-R90/6 links (17l-Tank) 09/72->	(14,83)	17,20
16_003b	1232236	Kniekissen R50/5-R90/6 rechts (17l-Tank) 09/72->	(14,83)	17,20
16_004	1230506	Emblemunterlage R50/5-R75/5	(6,14)	7,12
16_005	30769	Emblem R50/5-R75/5 emailiert, gebraucht	(22,14)	25,68
16_007	1038	Emblemschraube R24-R69S Edelstahl	(0,38)	0,44
16_008	32348	Tankdeckel R50/5-R90S mit Schloß	(59,50)	69,02
16_009	30603	Tankdeckeldichtung R50/5-R90S	(8,81)	10,22
16_010	36413	Tankdeckel-Beilagscheibe R50/5-R90S	(0,13)	0,15
16_011	44651	Tankdeckel Kerbnagel 4x10	(0,38)	0,44
16_012	53659	Schlüssel-Rohling klappbar	(4,86)	5,64
16_012	9062680	Schlüssel-Rohling normal	(4,35)	5,05
16_013	30883	Tankdeckelachse R50/5->	(2,66)	3,09
16_014	33864	Tank R50/5-R75/6, 24 Liter, neu lackiert	(562,42)	652,41
16_014b	33862	Tank R50/5-R90S 22 Liter, grundiert, mit Werkzeugfach	(766,94)	889,65
16_015	31298	Werkzeugfachdeckel R25/2, R26/27, R51/3-R68, R50/5-R100, Scharnier untenliegend	(40,90)	47,44
16_016	80188	Werkzeugfachdichtung Tank oben für Deckel 31298	(5,01)	5,81
16_017	41016	Werkzeugfachschrüssel 4-Kant	(3,48)	4,04
16_018	80165	Werkzeugfachschräube 4-Kant	(2,81)	3,26
16_020	63108	O-Ring Werkzeugfachschräube	(0,38)	0,44
16_021	10140	Werkzeugfachdeckelsplint R50/5-R100	(0,46)	0,53
16_022a	1230048	Kniekissen R50/5-R90/6 links (22l-Tank)	(16,74)	19,42
16_022b	1230049	Kniekissen R50/5-R90/6 rechts (22l-Tank)	(16,74)	19,42
16_023	33457	Tankhaltermutter hinten, Plastik R50/5->, Batteriehaltermutter	(0,66)	0,77
16_024	30045	Tankhaltegummi hinten R50/5-R100	(7,06)	8,19
16_027a	52283	Tank R60/7-R80/7 grundiert	(444,82)	515,99
16_027b	52284	Tank R60/7-R80/7 neu lackiert	(562,42)	652,41
16_028a	07168	Tankdeckel R60/7->, mit Schloß	(43,97)	51,01
16_028b	07125	Tankdeckel R60/7->, ohne Schließzylinder	(28,00)	32,48
16_029	07360	Tankdeckel-Schutzring R60/7->	(1,74)	2,02
16_029	53148	Tankdeckel-Dichtring R60/7->	(1,74)	2,02
16_030	07166	Tankdeckel-Schließzylinder R60/7->	(12,78)	14,82
16_031	1237917	Aufkleber Tank "1.Hilfe Set"	(7,41)	8,60
16_032a	1234048	Kniekissen R90S, R60/7-R100 rechts	(9,70)	11,25
16_032b	1234047	Kniekissen R90S, R60/7-R100 links	(9,70)	11,25
16_033a	230031	Tankhaltegummi vorn R50/5->, ->'84	(1,99)	2,31
16_033b	36124	Tankhaltegummi vorn '85->	(2,45)	2,84
16_034	1230030	Gummihalter unter Tank, Zugführung 09/69->	(3,83)	4,44
16_035	1453617	Aufkleber Tank "Sicherer mit Helm"	(3,32)	3,85
16_036b	1232908	Emblem R60/6-R100 -'87 Alu selbstklebend	(5,01)	5,81
16_036b	37927	Emblem R90S emailiert, selbstklebend, gebraucht	(22,14)	25,68
16_036c	2325183	Emblem R80-R100 '88-> Alu, selbstklebend	(8,18)	9,49
16_038	1336900	Benzinschlauch T-Stück	(1,43)	1,66
16_041	84008	Benzinhahn R25/3-R27, R50/5-R75/5, Form Everbest, 1 Abgang	(44,07)	51,12
16_058	1233367	Benzinhahnkappe schwarz R50/5->	(1,79)	2,08
16_064	2307112	Benzinhahnsieb im Tank für Benzinbahn neue Form, 13X115X10mm	(2,81)	3,26
16_064	99909	Benzinhahnsieb im Tank für Benzinbahn neue Form, 13X90X10mm	(2,81)	3,26
16_068	1238924	Benzinhahn-Dichtungsgummi für Hahnen neue Form	(2,81)	3,26
16_069	1234869	Benzinhahn O-Ring (neue Form)	(1,48)	1,72
16_072a	1240400	Benzinhahn neue Form, 1 Abgang senkrecht	(23,78)	27,58
16_072b	1233557	Benzinhahn neue Form, 2 Abgänge	(29,55)	34,28
16_072c	2307113	Benzinhahn neue Form, links	(23,78)	27,58
16_072d	2307114	Benzinhahn neue Form, rechts	(23,78)	27,58
16_072e	08008	Benzinhahn R25/3-R27, R50/5-R100 mit Wasser/Schmutzabscheider	(24,64)	28,58
16_078	34336	Lenkdämpfer- und Tank-Sicherungsring	(0,49)	0,57



16_079	1453144	Tankhaltegummi hinten R65-R100 ab 1985	(0,80)	0,93
16_090	38728	Tank R45/65 neu, weiß lackiert	(562,42)	652,41
16_092	1240159	Tankhaltebügel hinten R45/65, R80GS, ST	(4,55)	5,28
16_095	1453817	Tankdeckel GS, PD abschließbar	(22,04)	25,57

Gruppe 18 Auspuffanlage



18_000	1460087	Krümmerflansch K100 '83->	(3,83)	4,44
--------	---------	---------------------------	--------	------

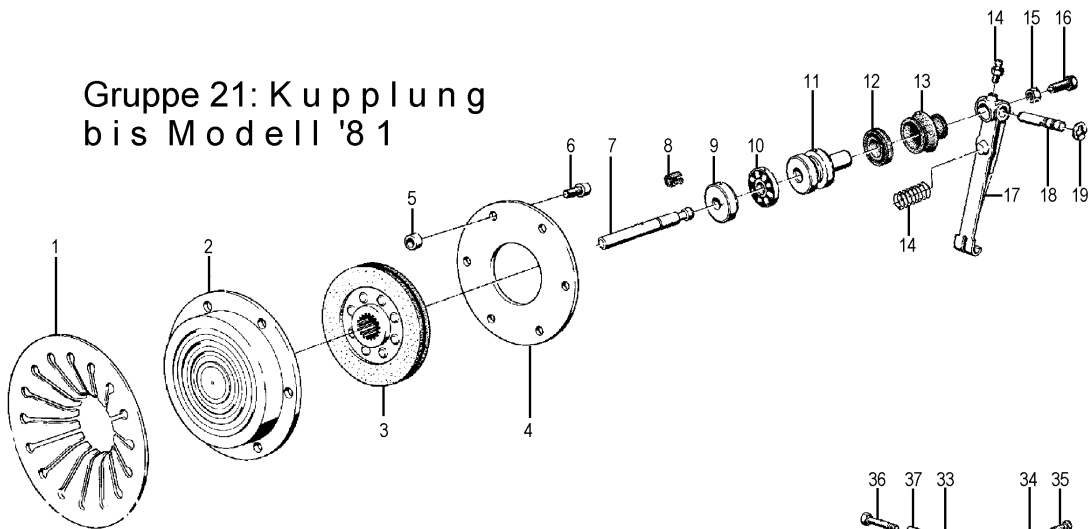


18_000	61922	Tülle Schalldämpferbefestigung R100R	(1,33)	1,54
18_001a	1230434	Krümmersatz R50/5-R100, 38mm mit Querrohr	(123,00)	142,68
18_001aa	112001	Krümmersatz R50/5-R100, 38mm, Edelstahl mit Querrohr	(219,83)	255,00
18_001b	1237149	Krümmersatz R60/7-R100, 09/81->, mit 2 Querrohren	(143,96)	166,99
18_001c	1234441	Krümmersatz R100 40mm, Satz mit Querrohr	(117,50)	136,30
18_001d	1238271	Krümmersatz R45/65, links ->08/80	(58,00)	67,28
18_001d	1238272	Krümmersatz R45/65, rechts ->08/80	(58,00)	67,28
18_001e	1337217	Krümmersatz R45/65, 09/80->, links, für 2 Querrohre	(56,00)	64,96
18_001e	1337218	Krümmersatz R45/65, 09/80->, rechts, für 2 Querrohre	(56,00)	64,96
18_002a	21035	Querrohr R50/5-R100	(18,90)	21,92
18_002b	238281	Querrohr R45/65 vorn	(24,24)	28,12
18_002c	337234	Querrohr R45/65 hinten 1981->	(20,71)	24,02
18_002d	302011	Querrohr R65 vorn schwarz	(21,73)	25,21
18_002e	302012	Querrohr R65 hinten schwarz 1981->	(21,73)	25,21
18_003a	1230587	Krümmerschelle R50/5-100 links, 38mm ->09/80	(5,63)	6,53
18_003b	1230432	Krümmerschelle R50/5-100 rechts, 38mm ->09/80	(5,63)	6,53
18_003c	1234445	Krümmerschelle R100S/RS links 40mm	(5,57)	6,46
18_003d	1234446	Krümmerschelle R100S/RS rechts 40mm	(6,03)	6,99
18_003e	1238322	Krümmerschelle R45/65 links ->09/84	(5,57)	6,46
18_003f	1238274	Krümmerschelle R45/65 rechts ->09/84	(6,03)	6,99
18_003g	1337155	Krümmerschelle R80-R100 links 09/80->	(5,57)	6,46
18_003h	1337156	Krümmerschelle R80-R100 rechts 09/80->	(5,57)	6,46
18_004	1336553	Auspuffschelle R50/5-R100, 38mm	(6,03)	6,99
18_004b	1336555	Auspuffschelle R100, 40mm	(5,52)	6,40
18_004c	1238282	Auspuffschelle R45/65 Chrom	(5,93)	6,88
18_005a	098820	Schraube Zylinderkopf-Inbus für Auspuffschelle, Edelstahl	(0,46)	0,53
18_005b	98198	Schraube Zylinderkopf-Inbus	(0,33)	0,38
18_010a	4090270	Auspuffmutter Stern R50/5-R90S "Groß"	(21,47)	24,91
18_010b	1234721	Auspuffmutter Stern R60/7-> "Klein"	(11,76)	13,64
18_010c	1335595	Auspuffmutter Stern R45/65, R69-Ersatz	(13,14)	15,24
18_011a	1230585	Auspuffdruckring R50/5-R100, 38mm	(3,90)	4,52
18_011b	1234448	Auspuffdruckring R100, 40mm	(5,00)	5,80
18_012a	1230586	Auspuffklemmring R50/5-R100, 38mm	(6,03)	6,99
18_012b	1234449	Auspuffklemmring R100, 40mm	(7,90)	9,16
18_012c	1335598	Auspuffklemmring R45, R65	(5,88)	6,82
18_013	32920	Schalldämpfer R50/5-R75/5, links, spitze Form mit Euro-ABE	(120,00)	139,20
18_013	32921	Schalldämpfer R50/5-R75/5, rechts, spitze Form mit Euro-ABE	(120,00)	139,20
18_013a	1232921	Schalldämpfer R50/5-R100 Langschwinge "Zigarre"		
		Satz mit EG-ABE, Sito	(207,76)	241,00
18_014	33211	Schalldämpfer R60/6-R100, rechts, 38mm mit EG-ABE	(110,00)	127,60
18_014a	34452	Schalldämpfer R100, 40mm, links mit EG-ABE	(110,00)	127,60
18_014a	34453	Schalldämpfer R100, 40mm, rechts mit EG-ABE	(110,00)	127,60
18_014b	33210	Schalldämpfer R60/6-R100, Satz ohne ABE! Für 38 und 40mm Krümmer(138,80)		161,01
18_014c	33212	Schalldämpfer R60/6-R100/7 Edelstahl verchromt		
		Satz mit EG-ABE, 38mm	(306,78)	355,86
18_014d	38275	Schalldämpfer R45/65 chrom ->'84 links mit EG-ABE	(120,00)	139,20
18_014d	38276	Schalldämpfer R45/65 chrom ->'84 rechts mit EG-ABE, 35mm	(120,00)	139,20
18_014e	70351	Schalldämpfer R50/5-R100 Sportform, 38mm, ohne ABE, links	(85,00)	98,60
18_014e	700351	Schalldämpfer R50/5-R100 Sportform, 38mm, ohne ABE, links	(85,00)	98,60
18_014f	70352	Schalldämpfer R100, Sportform, links 40mm, ohne ABE	(85,00)	98,60
18_014f	700352	Schalldämpfer R100, Sportform, rechts 40mm, ohne ABE	(85,00)	98,60
18_020	1233033	Auspuffhaltewinkel R50/5-R100 1969-84	(2,84)	3,29
18_026a	1457663	Krümmerschelle R80GS-R100PD,09/87>,links	(9,46)	10,97
18_026b	1457664	Krümmerschelle R80GS-100PD,09/87>,rechts	(9,46)	10,97
18_027	2331956	Dichtung Krümmer R80GS-100PD, 09/87->	(5,62)	6,52
18_030	2331955	Dichtung Schalldämpfer, R80GS-R100PD 09/87>	(4,86)	5,64
18_031	1454381	Auspuffschelle, 09/84->, D=49mm, links	(9,20)	10,67

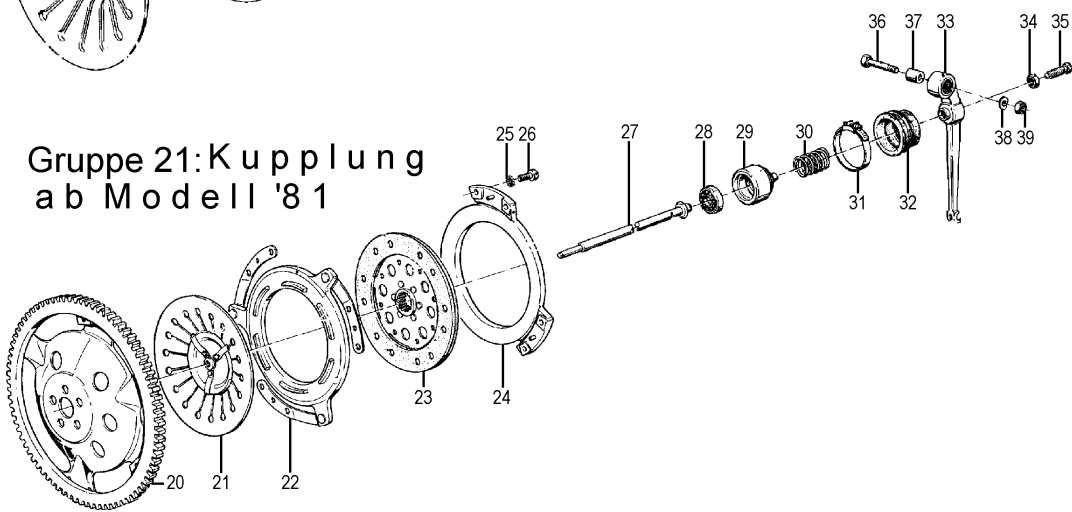


18_043	1452182	Krümmen R45/65-R100, 09/84->, rechts	(61,36)	71,18
18_044	1452181	Krümmen R45/65-R100, 09/84->, links	(61,36)	71,18
18_045	1454379	Krümmerschelle R45/65-R100, links, D=43mm, 09/84->	(9,46)	10,97
18_046	1454656	Dichtung Krümmen R65-R100, D=43, 09/84->	(3,83)	4,44
18_047	1452097	Vorschalldämpfer R65, R80, R100 09/84->	(150,83)	174,96
18_048	58361	Schalldämpfer R45/65, R80 ab '85 links mit EG-ABE	(128,00)	148,48
18_048	58362	Schalldämpfer R45/65, R80 ab '85 rechts mit EG-ABE	(128,00)	148,48
18_049	58361	Schalldämpfer R45/65, R80 ab '85 links mit EG-ABE	(128,00)	148,48
18_049	58362	Schalldämpfer R45/65, R80 ab '85 rechts mit EG-ABE	(128,00)	148,48
18_050	39804	Katalysator Umbausatz R50/5-100 komplett	(403,20)	467,71
18_053	1454639	Dichtung Querrohr R65'85,R80-R100GS,PD,R Durchmesser 27mm	(3,83)	4,44
18_054	1454638	Krümmerschelle Querrohr D=27mm R65'1985, R80-R100GS, PD, R '1988->	(17,38)	20,16
18_055	1454637	Dichtung Querrohr R65-R100RT, 09/84-> D=31mm	(3,83)	4,44
18_056	1454636	Krümmerschelle Querrohr, R45/65-100RT D=31mm, 09/84->	(17,38)	20,16
18_057	1454380	Krümmerschelle R45/65-R100, rechts,D=43mm, 09/84->	(9,46)	10,97
18_058	1454656	Dichtung Krümmen R65-R100, D=43, 09/84->	(3,83)	4,44
18_059	1454382	Auspuffschelle, 09/84->, D=49mm, rechts	(9,20)	10,67
18_060	2331955	Dichtung Schalldämpfer, R80GS-R100PD 09/87>	(4,86)	5,64
18_061	1454381	Auspuffschelle, 09/84->, D=49mm, links	(9,20)	10,67
18_062	2331955	Dichtung Schalldämpfer, R80GS-R100PD 09/87>	(4,86)	5,64

Gruppe 21: Kupplung
bis Modell '81



Gruppe 21: Kupplung
ab Modell '81



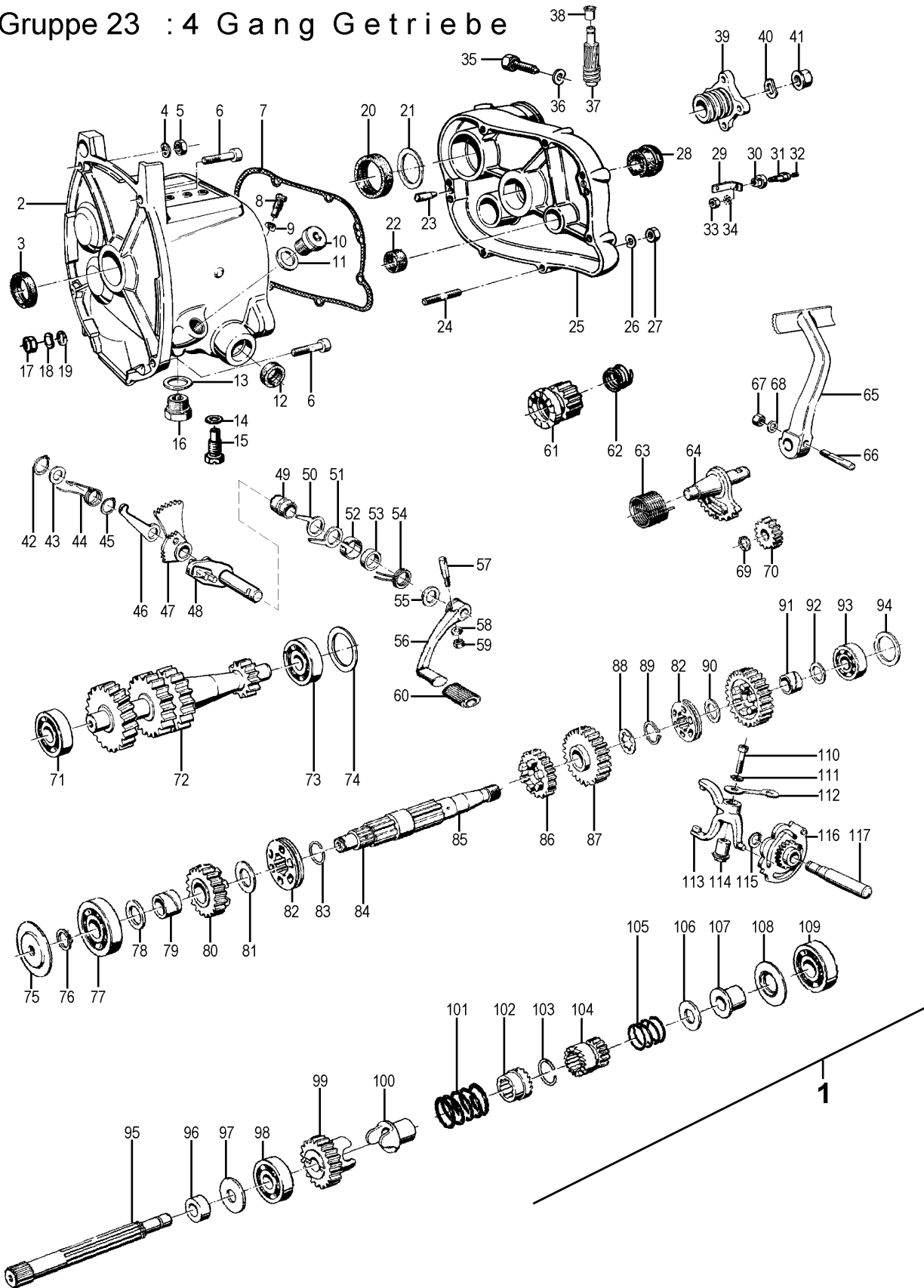
21_000	45182	Splint Kupplungsausrückhebel R50/5-R75/5	(0,18)	0,21
--------	-------	--	--------	------



21_000	1464796	Scheibe Kupplung K75	(71,07)	82,44
21_001a	1250288	Kupplungsfeder R50/5-R80/7 ->09/80	(30,85)	35,79
21_001b	1234035	Kupplungsfeder R90/6, R90S, R100 ->09/80	(32,21)	37,36
21_001c	1237573	Kupplungsfeder R45/65 ->09/80	(54,71)	63,46
21_002a	1251801	Druckplatte Kupplung vorn R50/5-R100 09/69->09/80	(46,00)	53,36
21_002b	1237567	Druckplatte Kupplung vorne R45/65 ->9/80	(46,02)	53,38
21_003a	5054	Scheibe Kupplung R50/5-R100 ->09/80	(50,11)	58,13
21_003b	37571	Scheibe Kupplung R45/65 ->09/80	(71,07)	82,44
21_003b	36332	Scheibe Kupplung R50/5-R100 original ->09/80	(78,48)	91,04
21_004a	1231666	Druckring Kupplung hinten R50/5-R100 09/69->09/80	(71,50)	82,94
21_004b	1237593	Druckring Kupplung hinten R45/65 ->09/80	(87,50)	101,50
21_006	31463	Schraube Kupplung R50/5-R100 ->'81 Senkkopf-Inbus	(1,00)	1,16
21_007a	1230106	Druckstange Kupplung R50/5-R75/5	(13,55)	15,72
21_007b	1232089	Druckstange Kupplung R60/6-R100 ->09/80	(15,95)	18,50
21_008	20132	Filz Druckstange	(1,69)	1,96
21_009	30962	Drucklagerring Kupplung R50/5->09/73	(9,20)	10,67
21_009b	1232088	Drucklagerring Kupplung 09/73->09/80	(5,85)	6,79
21_010a	30961	Drucklager Kupplung Kugel ->09/73	(15,08)	17,49
21_010b	1232079	Drucklager Kupplung Nadel 09/73->09/80	(5,01)	5,81
21_011a	1230107	Druckstück Kupplung Kugel 09/69->09/73	(31,70)	36,77
21_011b	1232087	Druckstück Kupplung Nadel 09/73->09/80	(28,63)	33,21
21_012	20109	Druckstückdichtring Kupplung	(1,79)	2,08
21_013	30109	Manschette Kupplungsausrückhebel->09/80	(1,43)	1,66
21_014a	80122	Ausrückhebelfeder ->08/73	(1,43)	1,66
21_014b	1234034	Ausrückhebelfeder 09/73->08/80	(0,92)	1,07
21_016a	30108	Ausrückhebeleinstellschraube M8 R50/5->09/80	(2,45)	2,84
21_016b	1241848	Ausrückhebeleinstellschraube M8 09/80->	(2,66)	3,09
21_017	1230104	Ausrückhebel Kupplung R50/5-R75/5	(40,90)	47,44
21_018a	1230090	Bolzen Kupplungs-Ausrückhebel R50/5-75/5	(10,48)	12,16
21_018b	1241484	Bolzen Kupplungs-Ausrückhebel R60/6-R100	(4,86)	5,64
21_019a	9932852	Ausrückhebel Sicherungsscheibe 7mm 09/73->	(0,13)	0,15
21_019b	1864963	Ausrückhebel Sicherungsscheibe 8mm 09/73->	(0,56)	0,65
21_019c	9934208	Ausrückhebel Klemmsicherung 7mm 09/73->	(0,49)	0,57
21_021	1242353	Kupplungsfeder R45-R100 09/80->09/85	(31,70)	36,77
21_021b	1338508	Kupplungsfeder R100 09/85->	(33,06)	38,35
21_022	2302200	Druckplatte Kupplung vorne R45-R100, "leichte Kupplung" 09/80->	(35,28)	40,92
21_023a	1451512	Scheibe Kupplung R45-100 9/80-> Original (leichte Kupplung)	(74,14)	86,00
21_023b	4054	Scheibe Kupplung R45-R100 9/80-> (leichte Kupplung)	(71,07)	82,44
21_023c	51721	Scheibe Kupplung K100, K1, K1100	(71,07)	82,44
21_024	1457280	Druckring Kupplung hinten R60/7-R100 09/80->(leichte Kupplung)	(69,02)	80,06
21_025	1242377	Fächerscheibe Kupplungsschraube 09/80->	(0,13)	0,15
21_026	38680	Schraube Kupplung R80-R100, 09/80->	(1,02)	1,18
21_027	41844	Druckstange Kupplung R60/6-R100 09/80->	(24,29)	28,18
21_028	9984020	Lager Kupplungsdruckstange R45-R100, für "leichte" Kupplung ab 09/80->	(12,27)	14,23
21_029	1464167	Druckstück Kupplung 09/80-> alle Modelle "Leichte Ausführung"	(33,72)	39,12
21_030	1241849	Ausrückhebelfeder 09/80->	(0,92)	1,07
21_031	41872	Schelle Kupplungsmanschette 09/80->	(1,28)	1,48
21_032	1338731	Manschette Kupplungsausrückhebel 09/80->	(10,62)	12,32
21_033a	1241847	Ausrückhebel Kupplung 09/80->	(46,63)	54,09
21_033b	1238422	Nadelhülse Schalthebel/Kupplungshebel	(6,39)	7,41
21_035	1241848	Ausrückhebeleinstellschraube M8 09/80->	(2,66)	3,09
21_037	1241833	Ausrückhebel Buchse ab 09/80->	(3,45)	4,00



Gruppe 23 : 4 Gang Getriebe

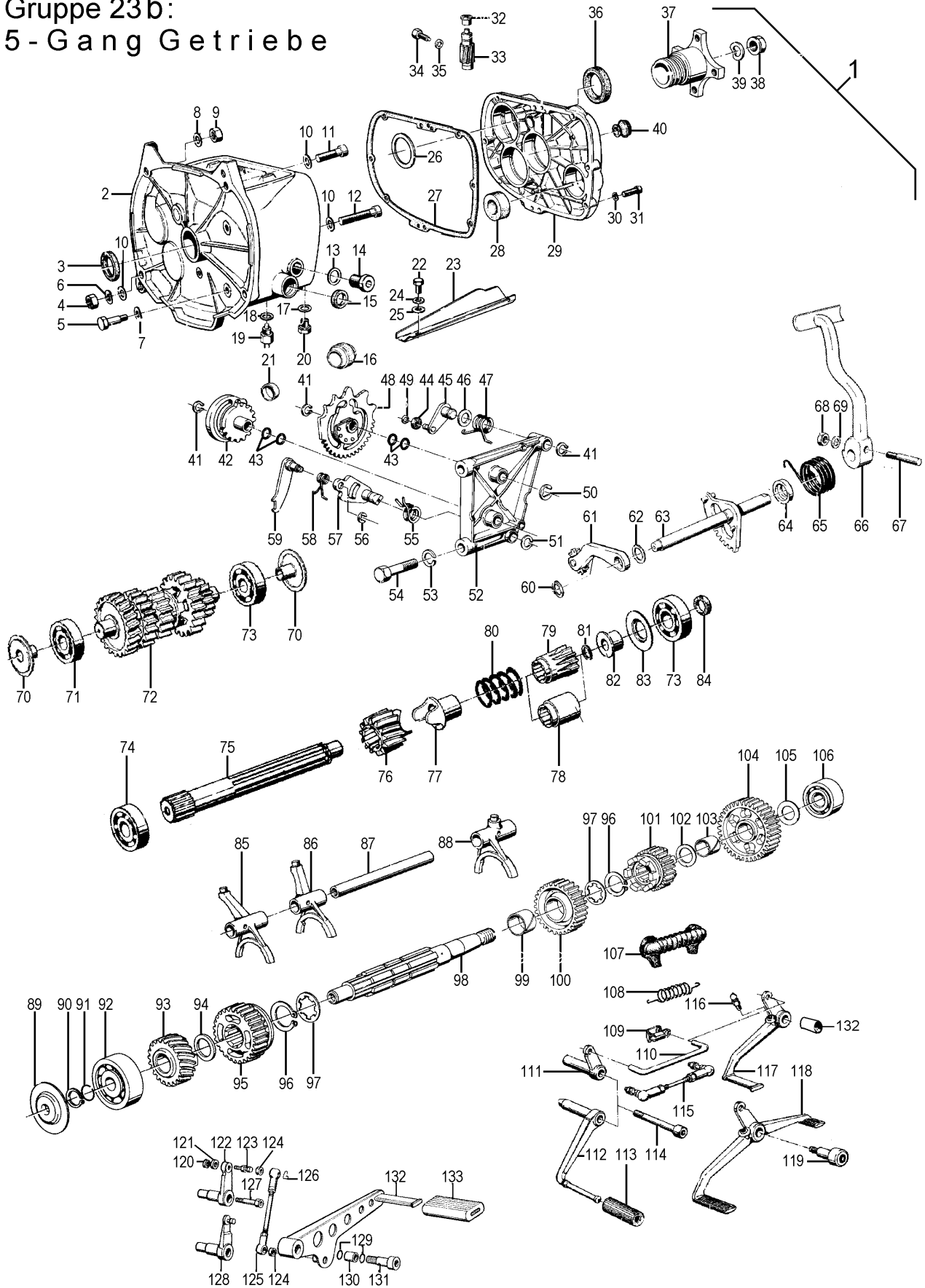




23a_000	99981	Lagersatz Getriebe R50/5-R75/5	(62,17)	72,12
23a_000	99982	Dichtsatz Getriebe R50/5-R75/5	(18,74)	21,74
23a_000	1231523	Zahnrad 1.Gang R60/6-R100 ->82	(60,55)	70,24
23a_002	1234036	Getriebe 4-Gang R50/5-R75/5 generalüberholt	(920,33)	1067,58
23a_003	30088	Wedi Getriebeeingang R50/5-R75/5	(3,99)	4,63
23a_004b	98457	Federscheibe Edelstahl	(0,15)	0,17
23a_005b	98353	Mutter Edelstahl	(0,33)	0,38
23a_006	98206	Schraube Zylinderkopf-Inbus	(0,43)	0,50
23a_007	06280	Getriebedeckeldichtung	(2,30)	2,67
23a_010	19124	Ölablaßschraube Inbus	(1,50)	1,74
23a_011	63300	Dichtring Alu	(0,26)	0,30
23a_013a	63132	Dichtring Alu	(0,26)	0,30
23a_016b	62892	Ölablaßschraube	(2,97)	3,45
23a_020	30087	Wedi Getriebeausgang R50/5-R75/5	(6,14)	7,12
23a_022	02196	Kickstarter 4-Gang	(3,68)	4,27
23a_025	1230054	Getriebedeckel R50/5->, 4-Gang	(120,15)	139,37
23a_030	06162	Leerlaufschalterbüchse Vierganggetriebe	(0,31)	0,36
23a_031	06158	Leerlaufschalterkontaktbolzen, gebraucht	(3,02)	3,50
23a_038	30176	Büchse Tachowelle für dünne Tachowelle R50/5-R100	(1,48)	1,72
23a_039	1230057	Getriebeflansch 4-Gang R50/5->	(80,00)	92,80
23a_044	66131	Feder Schaltklinke R50/5-R75	(3,48)	4,04
23a_056	66108	Schalthebel R50/5-R75/5 gebraucht	(102,26)	118,62
23a_056b	1231621	Schalthebel R60/6-R100, paßt auch bei 4-Gang-Getrieben	(127,82)	148,27
23a_060	45016	Schalthebelgummi	(1,53)	1,77
23a_063	56112	Kickstarterfeder R50/5-R75/5	(3,99)	4,63
23a_064	1056274	Kickstarter-Wellensegment R50/5-R75/5	(132,23)	153,39
23a_072	30068	Zwischenwelle R50/5-R75/5, repariert (sofern lieferbar)	(153,39)	177,93
23a_074	1230966	Distanzscheibe Zwischenwelle	(1,43)	1,66
23a_078	1230089	Anlaufscheibe Abtriebswelle R50/5-75/5	(1,59)	1,84
23a_079	1230081	Büchse 4.Gangrad R50/5-R75/5	(12,02)	13,94
23a_082	30082	Schiebeklaue R50/5-R75/5	(59,50)	69,02
23a_084	1230078	Büchse 2. und 3.Gang R50/5-R75/5	(30,17)	35,00
23a_085	1230077	Abtriebswelle R50/5-R75/5	(280,00)	324,80
23a_091	1030259	Büchse 1.Gangrad R50/5-R75/5	(13,80)	16,01
23a_095	1230455	Antriebswelle R50/5-75/5	(155,00)	179,80
23a_099	1230085	Zahnrad Antriebswelle R50/5-R75/5	(100,00)	116,00
23a_107	1231392	Büchse Antriebswelle R50/5-R75/5	(6,39)	7,41
23a_113a	230100	Schaltgabel R50/5-R75/5 Original BMW	(53,69)	62,28
23a_113b	1069	Schaltgabel R50/5-R75/5	(53,69)	62,28



Gruppe 23b: 5 - Gang Getriebe





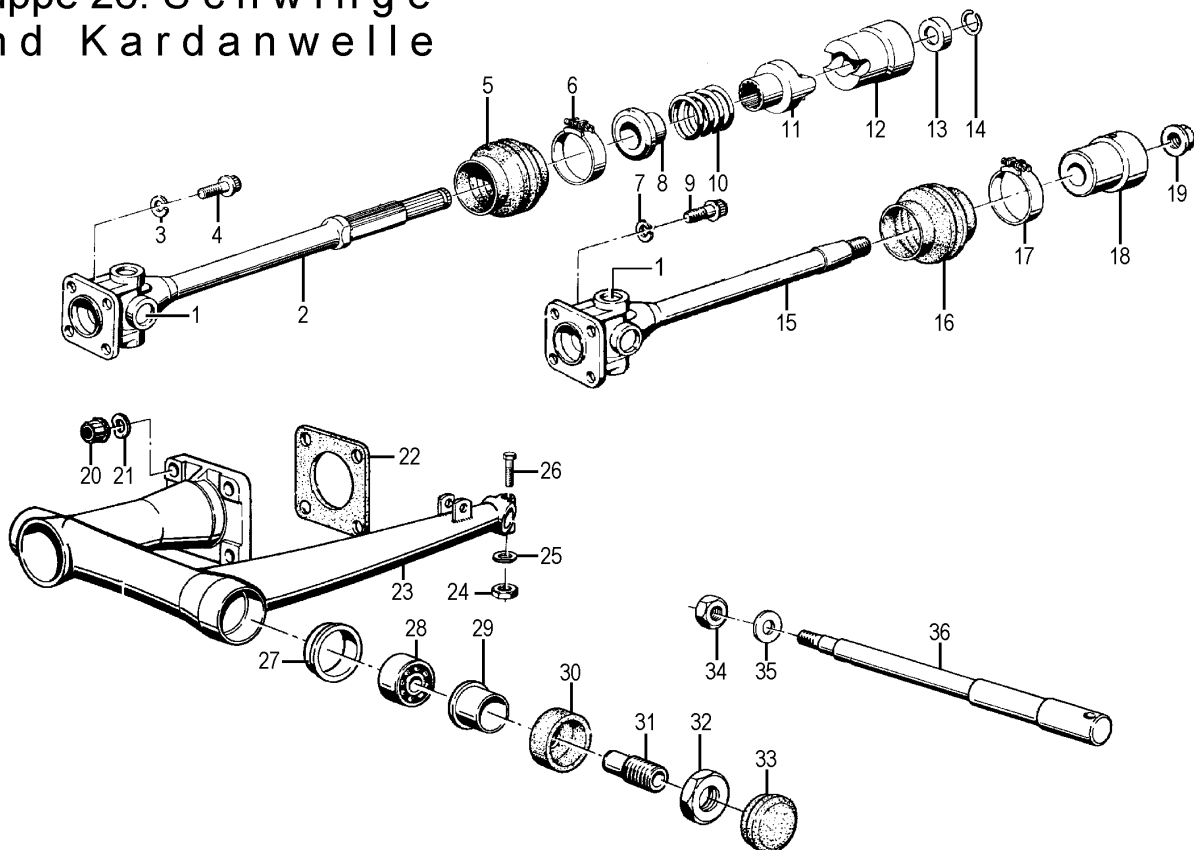
23b_000	1231209	Zahnrad 1.Gang R50/5-R75/5	(92,54)	107,35
23b_000	99387	Zahnrad Zwischenwelle R60/6-R100, 15° ohne "X"-Markierung	(122,71)	142,34
23b_000	99388	Zahnrad Zwischenwelle R60/6-R100, 17,5° mit "X"-Markierung	(130,38)	151,24
23b_000	31527	Zahnrad 2.Gang R60/6-R100 ->82	(47,55)	55,16
23b_002a	40767	Getriebe 5-Gang mit Kickstarter ->'81 generalüberholt	(971,45)	1126,88
23b_002b	1242415	Getriebe 5-Gang mit Kickstarter '81->, generalüberholt	(971,45)	1126,88
23b_002c	1240766	Getriebe 5-Gang ohne Kickstarter ->'81 generalüberholt	(920,33)	1067,58
23b_002d	1242417	Getriebe 5-Gang ohne Kickstarter '81-> generalüberholt	(971,45)	1126,88
23b_002e	1240767	Getriebe 5-Gang mit Kickstarter, neu ->'81	(1212,11)	1406,05
23b_003	32249	Wedi Getriebeeingang	(4,35)	5,05
23b_007	22083	Federscheibe verzinkt	(0,18)	0,21
23b_009	98352	Mutter verzinkt	(0,18)	0,21
23b_010	2027	Dichtring	(0,41)	0,48
23b_010	98414	Scheibe	(0,06)	0,07
23b_011	98206	Schraube Zylinderkopf-Inbus	(0,43)	0,50
23b_012	33474	Distanzscheibe Abtriebswelle 0,10mm	(1,23)	1,43
23b_012a	33475	Distanzscheibe Abtriebswelle 0,20mm	(1,23)	1,43
23b_012b	31625	Distanzscheibe Abtriebswelle 0,30mm	(1,23)	1,43
23b_012c	31626	Distanzscheibe Abtriebswelle 0,38mm	(1,23)	1,43
23b_012d	31627	Distanzscheibe Abtriebswelle 0,50mm	(1,23)	1,43
23b_013	63300	Dichtring Alu	(0,26)	0,30
23b_014	19124	Ölablaßschraube Inbus	(1,50)	1,74
23b_014a	07104	Öleinfüllschraube	(1,84)	2,13
23b_015a	32248	Wedi Schalthebel R60/6-R90S ->09/74	(3,37)	3,91
23b_015b	06253	Wedi Fußschalthebel	(3,37)	3,91
23b_016	1233383	Lagerbüchse Schalthebel R50/5-R100	(8,59)	9,96
23b_018	63130	Dichtring Alu	(0,23)	0,27
23b_019a	52153	Leerlaufschalter R60/6-R90S ->1976	(8,81)	10,22
23b_019b	43097	Leerlaufschalter R60/6-R100 1976->	(16,62)	19,28
23b_024	98406	Scheibe	(0,05)	0,06
23b_027	1338596	Getriebedeckeldichtung 5-Gang	(2,56)	2,97
23b_029a	1241832	Getriebedeckel 5-Gang mit Kickstarter 09/80->	(127,82)	148,27
23b_029b	1241831	Getriebedeckel 5-Gang ohne Kickstarter, neue Version	(91,68)	106,35
23b_030	98410	Scheibe	(0,05)	0,06
23b_031	98158	Schraube Zylinderkopf-Inbus	(0,18)	0,21
23b_032	30176	Büchse Tachowelle R50/5-R100	(1,48)	1,72
23b_033	230058	Tachoantrieb R50/5->	(35,79)	41,52
23b_034	30599	Tachowellenhalteschraube R50/5->, Drehzahlmesserschraube	(1,99)	2,31
23b_036a	32681	Wedi Getriebeausgang R60/6-R100 ->09/87	(6,60)	7,66
23b_036b	1338514	Wedi Getriebeausgang Teflon 09/87->	(13,70)	15,89
23b_037	1232557	Getriebeflansch	(39,67)	46,02
23b_038	30084	Kardanwellenmutter mit Bund	(2,45)	2,84
23b_039	98462	Federscheibe	(0,33)	0,38
23b_040	30109	Manschette Kupplungsaustrückhebel->09/80	(1,43)	1,66
23b_044a	31572	Schaltskulissen Rolle R60/6-R100	(0,92)	1,07
23b_044b	1231572	Schaltskulissen Kugellager R60/6-R100	(3,83)	4,44
23b_047	34791	Schalthebelfeder R60/6-R90S 09/75->	(0,92)	1,07
23b_047a	31639	Schalthebelfeder R60/6-R90S ->09/75	(3,17)	3,68
23b_055	31618	Segmentwellen-Feder R60/6-R100	(0,97)	1,13
23b_056	32841	Sicherungsring Schaltung R60/6-R100	(0,36)	0,42
23b_058	1242910	Feder Schaltklinke R60/6-R100	(0,92)	1,07
23b_060	9934100	Sicherungsring Kickstarter R60/6-R100	(0,92)	1,07
23b_062	1232090	Scheibe Kickstarter vorne R60/6-R100	(1,43)	1,66
23b_063	1338609	Kickstarter-Wellensegment R60/6-R100	(36,81)	42,70
23b_064	1232049	Scheibe Kickstarter hinten R60/6-R100	(8,13)	9,43
23b_065	1231682	Kickstarterfeder R60/6-R100	(6,14)	7,12
23b_066	1230055	Kickstarter R50/5-> mit Knick	(79,25)	91,93



23b_067a	50016	Keil Kickstarter verzinkt	(4,35)	5,05
23b_067b	56124	Keil Kickstarter, Edelstahl	(5,88)	6,82
23b_068	98323	Mutter verzinkt	(0,10)	0,12
23b_072	1242996	Zwischenwelle R60/6-R100, 17.5°, ->09/80	(320,00)	371,20
23b_073	1064	Lage	(7,21)	8,36
23b_074	35449	Rollenlager Antriebswelle vorne R60/6-R100	(44,23)	51,31
23b_075	2301778	Antriebswelle R60/6-R100 ->09/80, Ø33,5mm	(245,00)	284,20
23b_076a	1231519	Zahnrad Antriebswelle R60/6-R100, 15° ohne "X"-Markierung	(51,72)	60,00
23b_076a	1231516	Antriebswelle R60/6-R100 ->09/80, Ø18mm	(139,00)	161,24
23b_076b	1242991	Zahnrad Antriebswelle R60/6-R100, 15° mit "X"-Markierung	(71,41)	82,84
23b_076c	1241855	Antriebswelle R60/6-R100 09/80->03/85	(94,59)	109,72
23b_077	1233425	Druckstück Ruckdämpfer Antriebswelle R60/6-R100	(38,00)	44,08
23b_079	31671	Zahnrad für Kickstarter R60/6-R100	(48,49)	56,25
23b_080	1231303	Druckfeder Antriebswelle R60/6-R100	(7,30)	8,47
23b_081a	1232086	Sicherungsring Antriebswelle R60/6-R100	(0,50)	0,58
23b_082	1232062	Büchse Antriebswelle R60/6->	(6,75)	7,83
23b_083	1230452	Lagerabdeckscheibe 09/69-> Getriebe Antriebswelle	(1,90)	2,20
23b_084	42420	Wedi Druckstange R60/6-R100	(6,34)	7,35
23b_085	1234215	Schaltgabel R60/6-R100, 1./2. Gang	(46,02)	53,38
23b_086	1234219	Schaltgabel R60/6-R100, 5. Gang	(43,46)	50,41
23b_088	1234217	Schaltgabel R60/6-R100, 3./4. Gang	(43,46)	50,41
23b_089	1230075	Ölfangblech Abtriebswelle R50/5->	(2,56)	2,97
23b_093a	1234889	Zahnrad 5. Gang R60/6-R100 ->82, 15° ohne "X"-Markierung	(105,79)	122,72
23b_093b	1242992	Zahnrad 5. Gang '82-> 17,5° mit "X"-Markierung	(60,83)	70,56
23b_093c	99390	Zahnrad 5. Gang +6%, '82-> 17,5° mit "X"-Markierung	(140,61)	163,11
23b_095	34886	Zahnrad 3. Gang R60/6-R100 ->82	(63,40)	73,54
23b_103	1232299	Büchse 1. Gangrad, 5-Ganggetriebe	(10,14)	11,76
23b_109	36745	Schaltstangen Gelenklammer R60/7-R100RT	(2,97)	3,45
23b_110	36741	Schaltstange R60/7-R100RT: (nicht mehr lieferbar)		
23b_112	1231621	Schalthebel R60/6-R100, paßt auch bei 4-Gang-Getrieben	(127,82)	148,27
23b_113	45016	Schalthebelgummi	(1,53)	1,77
23b_115	01391	Schaltstange mit Kugelkopf R60/7-R100RT	(18,07)	20,96
23b_123	1461432	Kugelnzapfen Schaltung '81->, Lenkdämpfer	(1,64)	1,90
23b_124	1150432	Schaltstangenstaubschutz	(0,46)	0,53
23b_126	87611	Sicherungsbügel für Kugelnzapfen, Lenkdämpfer und Schaltung	(0,23)	0,27
23b_129	2302380	Schalthebel Dichtring R65-R100PD 04/85->	(0,33)	0,38
23b_130	2302382	Schalthebel Büchse R65-100PD 04/85->	(2,20)	2,55
23b_131	1338639	Schalthebel Lagerbolzen R65-100PD 04/85->	(8,81)	10,22
23b_24a	9963003	Dichtring Abdeckblech Getriebe R65GS-R80ST, 1980->92	(0,40)	0,46
23_114	2322402	Schraube Schalthebelbefestigung R60/6-> Inbus, verzinkt	(0,80)	0,93



Gruppe 26: Schwinge und Kardanwelle

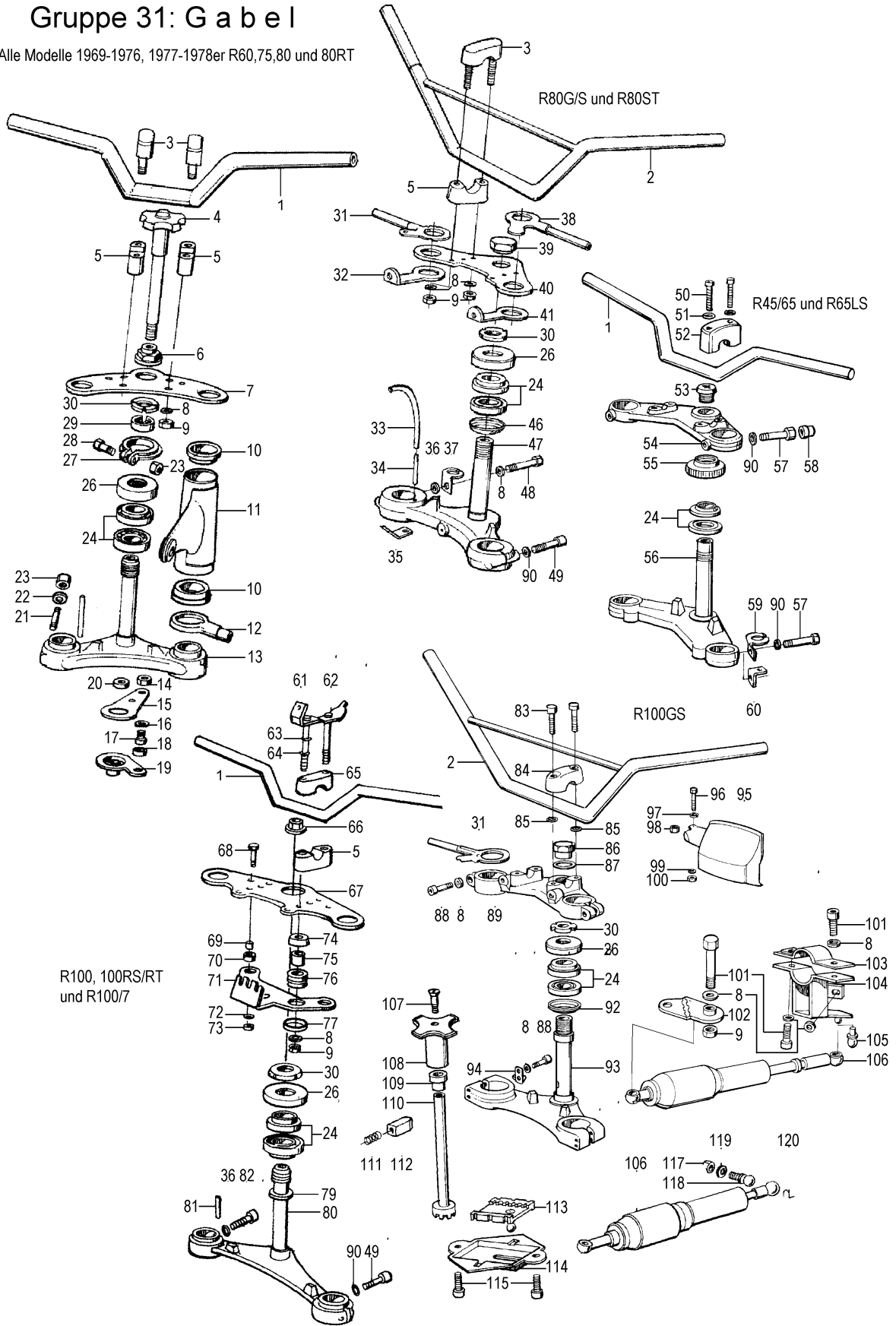


26_000	1236897	Dichtring Schwinge R45/65-> 01/81, R80/R100 09/80->01/81	(2,35)	2,73
26_001a	99921	Kreuzgelenk einzeln R51/3-R68, R50-R69S, R50/5-R100	(38,35)	44,49
26_001b	3034	Kreuzgelenkrepauratur (bei angelieferter Kardanwelle)	(76,69)	88,96
26_002a	235972	Kardanwelle R50/5-75/5 ,1:7,Kurzschwinge ->02/72	(188,01)	218,09
26_002b	1232560	Kardanwelle R50/5-R100, 1:7,Langschwinge ohne Glocke 2/73->9/78	(153,39)	177,93
26_002c	1235972	Kardanwelle R50/5-75/5 ,1:7,Kurzschwinge ->02/72, gebraucht, Kreuzgelenk überholt	(112,48)	130,48
26_002d	1237180	Kardanwelle R60/7-R100 ->09/80	(167,49)	194,29
26_003	98432	Federring verzinkt	(0,08)	0,09
26_004	30414	Kardanschraube 12-Kant	(1,48)	1,72
26_005	1230304	Faltenbalg Getriebe R50/5-R100	(7,73)	8,97
26_005b	1452504	Faltenbalg Schwinge/Antrieb '87->	(8,44)	9,79
26_006a	30297	Schelle Kardan "BMW" R50/5-R100	(1,48)	1,72
26_006b	39813	Schelle Kardan "BMW" R50/5-R100 Edelstahl	(4,55)	5,28
26_018b	1232558	Kardanglocke R50/5-R100/7 Langschwinge ->09/78, 1:7	(75,67)	87,78
26_018b	1230305	Kardanglocke R50/5-R75/5 Kurzschwinge	(71,58)	83,03
26_019	30084	Kardanwellenmutter M16 mit Bund	(2,45)	2,84
26_020	37789	Mutter 12-Kant	(0,92)	1,07
26_022	2311098	Dichtung Kardanwelle R50/5-R100	(1,07)	1,24
26_026	98205	Schraube 6-Kant mit Schaft	(0,20)	0,23
26_027	1236956	Druckscheibe Schwinge R45/65 ->01/81, R80/R100 09/80->01/81	(4,35)	5,05
26_028a	13064	Lager Schwinge	(16,26)	18,86
26_028b	42618	Schwingerlager gekapselt 01/81->	(22,65)	26,27
26_029	00324	Druckhülse Schwinge	(6,14)	7,12
26_030	00331	Wedi Schwinge	(2,97)	3,45
26_031	30301	Schwingerlagerbolzen R50/5-R100	(24,50)	28,42
26_032	54174	Schwingerlagerbolzenmutter R26-R100	(1,84)	2,13
26_033	1230296	Schwingerkappe R50/5-R100	(1,64)	1,90
26_036a	30303	Steckachse R50/5-R100 hinten, Trommelbremse	(43,26)	50,18
26_036b	35830	Steckachse hinten Scheibenbremse	(38,35)	44,49



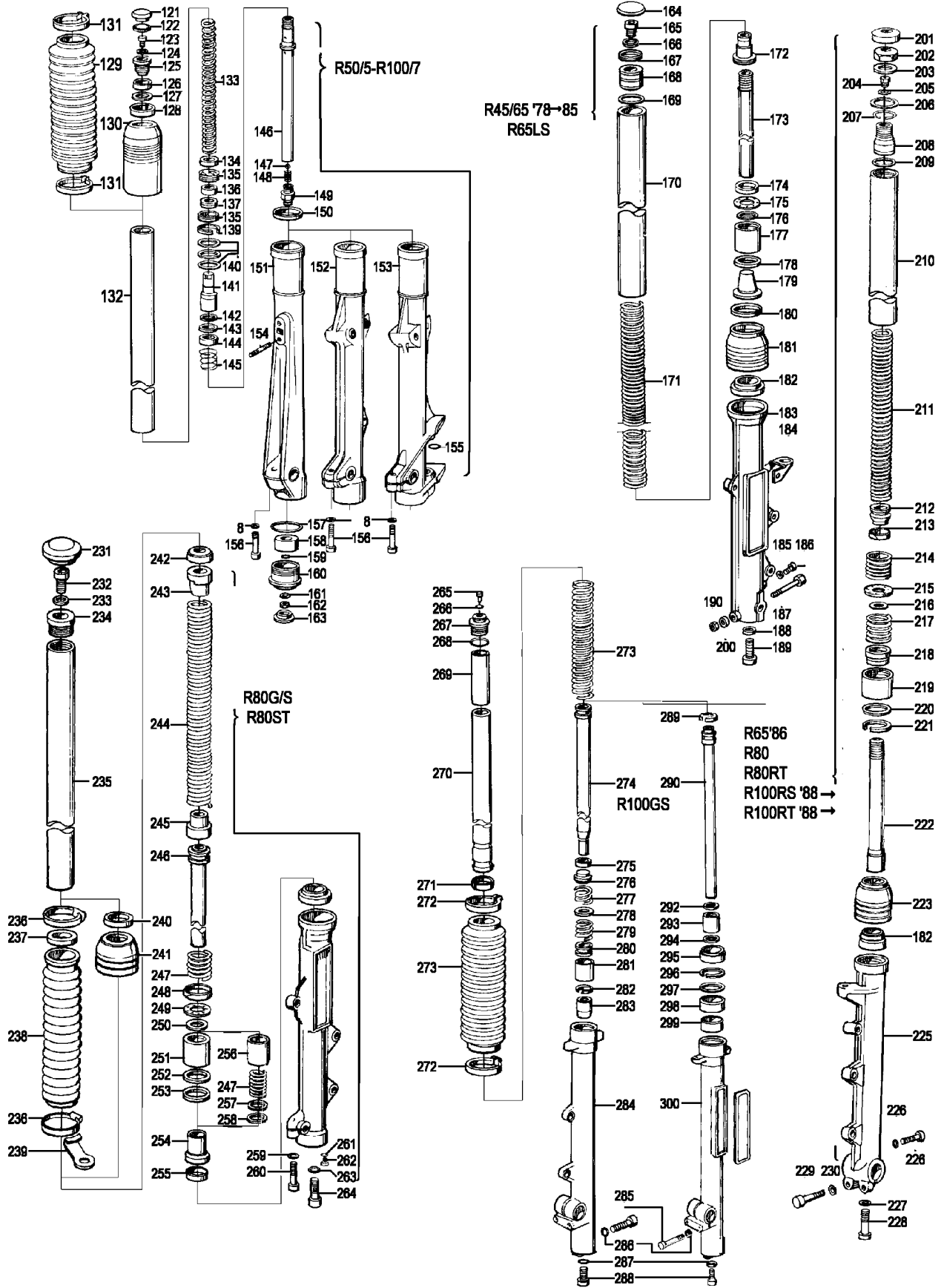
Gruppe 31: G a b e l

Alle Modelle 1969-1976, 1977-1978er R60,75,80 und 80RT





Gruppe 31: G a b e l





31_000	00006	Lenkerstulpen schwarz, Paar	(21,55)	25,00
31_000	1237213	Gabelfilz R45/65, R80, R100 9/80->	(0,82)	0,95
31_000	1458474	Distanzscheibe Wedi Gabel 09/84->	(1,00)	1,16
31_000	50127	Wedi Gabel K75-K100	(7,57)	8,78
31_000	2312714	O-Ring Gabelöl Einfüllschraube R80R->	(0,49)	0,57
31_000	2314034	Schraube Gabelbrücke oben R80/100R	(8,18)	9,49
31_000	2311639	Mutter Gabelbrücke oben R80/100R, Mystic	(4,04)	4,69
31_001a	72189	Lenker Original-Form R50/5-R100, flach	(25,56)	29,65
31_001b	03041	Lenker R100 RS, 55cm breit	(38,35)	44,49
31_001c	03043	Lenker R100 RT hoch	(28,63)	33,21
31_001d	72001	Lenker flach, Magura, mit Löchern und Rändelung	(20,45)	23,72
31_001e	94052	Lenker Gespann flach universal	(25,56)	29,65
31_001f	5052	Lenker hoch, extrabreit, ähnlich R50/5-R75/5 US-Ausführung, Fehling	(27,61)	32,03
31_001g	72002	Lenker Fehling L4, mittelhoch	(25,56)	29,65
31_001h	3062	Lenker Fehling LN A, 200mm hoch	(25,56)	29,65
31_002	72036	Lenker breit, hoch mit dicker Querstrebe GS, Fehling	(30,68)	35,59
31_003	00391	Lenkerhalteroberteil R50/5-R75/5	(23,01)	26,69
31_004	30467	Lenkdämpferknebel R50/5-R75/5	(19,68)	22,83
31_005	32926	Lenkerhalterbock R90S-100RT unten	(15,08)	17,49
31_006a	30478	Lenklagerhutmutter R50/5-R100RT mit Durchführungsloch	(11,40)	13,22
31_006b	1235429	Lenklagerhutmutter R65-R100 ->09/84 ohne Durchführungsloch	(9,87)	11,45
31_007	1232511	Gabelbrücke oben R50/5-R90/6	(23,42)	27,17
31_008	98414	Scheibe	(0,06)	0,07
31_010b	1230696	Gabelgummiring R50/5-R100 oben 4,0mm ->08/83	(1,64)	1,90
31_010c	2000385	Gabelgummiring R50/5-R100 unten	(2,86)	3,32
31_011a	1231014	Lampenhalter R50/5-R75/5 links	(33,06)	38,35
31_011b	1231018	Lampenhalter R50/5-R75/5 rechts	(33,06)	38,35
31_011c	1236878	Lampenhalter R60/6-R100 links	(28,63)	33,21
31_011d	1236879	Lampenhalter R60/6-R100 rechts	(28,63)	33,21
31_012a	1233941	Blinkerhalter vorn R50/5-100/7 verchromt	(21,55)	25,00
31_013a	1230577	Gabelbrücke unten R50/5->	(297,52)	345,12
31_013b	1233956	Gabelbrücke unten R60/6-R100 ->09/84	(202,75)	235,19
31_015	30471	Widerstandsblech Lenkdämpfer R50/5-R75/5	(12,74)	14,78
31_019	1230470	Druckplatte Lenkdämpfer R50/5-75/5	(7,41)	8,60
31_020	30588	Lenkdämpfer-Gummiring R50/5-R75/5	(1,23)	1,43
31_022	22083	Federscheibe verzinkt	(0,18)	0,21
31_023	00315	Lenklager Klemmmutter R50/5-R75/5, gebraucht	(7,16)	8,31
31_024	9985070	Kegellenlagersatz R50/5-K1	(34,77)	40,33
31_026	00312	Staubkappe Lenklager R50/5-R100	(5,01)	5,81
31_027	00311	Lenklager Klemmring R50/5-R75/5, gebraucht	(9,20)	10,67
31_030	32343	Lenklager-Nutmutter R50/5-R100	(8,18)	9,49
31_031	1242232	Blinkerhalter vorne rechts R80G/S	(12,50)	14,50
31_034	41470	Spannstift Gabelbrücke unten	(0,51)	0,59
31_038	1242231	Blinkerhalter vorne links R80G/S	(10,48)	12,16
31_053	1237243	Schraube Gabelbrücke R45/65	(17,99)	20,87
31_054	1237191	Gabelbrücke R45/65 oben	(86,00)	99,76
31_059	1237255	Bremsschlauchhalter R45/65 Gabelbrücke	(1,33)	1,54
31_066	1242262	Lenklagermutter R65-R100RT 09/84->	(6,19)	7,18
31_079	34509	Staubkappe Lenklager unten R50/5-R100	(1,41)	1,64
31_090	98420	Scheibe	(0,09)	0,10
31_095	2315860	Handprotektorsatz, weiß, R80GS-R100PD	(28,12)	32,62
31_095a	2315713	Handschutz Abdeckung rechts, GS 1991->	(3,83)	4,44
31_095b	2315711	Handschutz links R80GS-R100PD '91->	(9,92)	11,51
31_095c	2315870	Handschutz Nachrüstsatz R80GS-R100PD '91	(22,04)	25,57
31_095d	1234359	Handschutz rechts Behördenverkleidung	(38,00)	44,08
31_095e	2315712	Handschutz rechts R80GS-R100PD '91->	(9,92)	11,51
31_105	1461432	Kugelzapfen Schaltung '81->, Lenkdämpfer	(1,64)	1,90



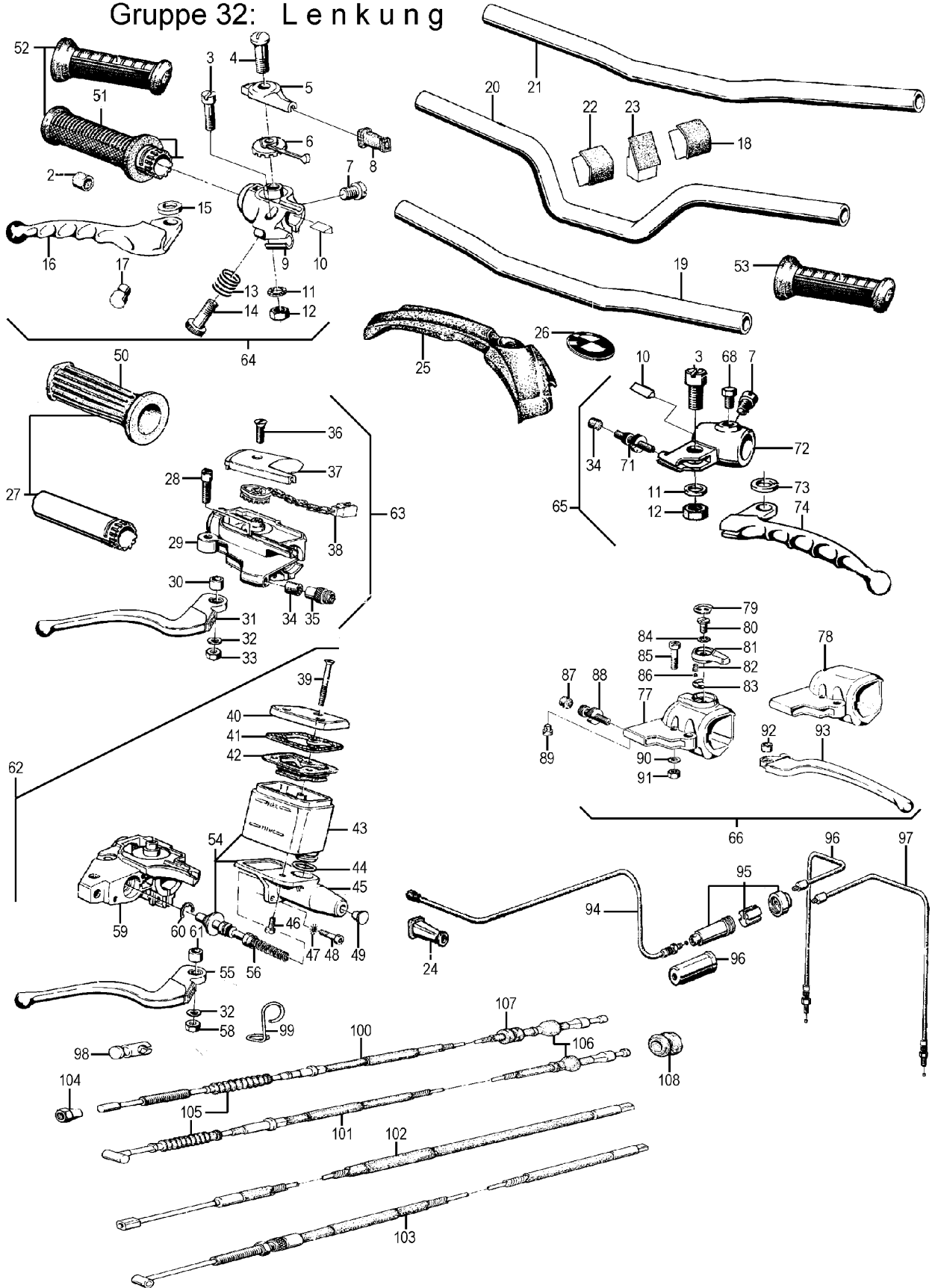
31_106a	32361	Lenkdämpfer hydraulisch R50/5-R100	(56,24)	65,24
31_106b	1238221	Lenkdämpfer hydraulisch R45/65	(70,52)	81,80
31_107	9928103	Lenkdämpfer Knebelschraube R60/6-R100	(0,41)	0,48
31_108	36892	Lenkdämpferdrehknopf R60/6-R100	(2,66)	3,09
31_109	32556	Lenkdämpferbüchse R60/6-R100	(1,79)	2,08
31_110	32275	Lenkdämpfer Zahnrad R60/6-R100	(6,39)	7,41
31_111	238217	Lenkdämpferfeder R60/7-R100	(0,82)	0,95
31_113	1232274	Lenkdämpfer Schieber R60/-R100	(9,92)	11,51
31_114	1232270	Lenkdämpfer Gehäuse R60/6-R100	(3,31)	3,84
31_115	98137	Schraube Zylinderkopf-Inbus	(0,18)	0,21
31_115a	1230377	Gabelstabilisator R50/5-R75/5	(105,99)	122,95
31_115b	30377	Gabelstabilisator R50/5-R60/7 gebraucht, geprüft	(56,24)	65,24
31_118	1237285	Lenkdämpfer Haltebolzen R45/65	(3,61)	4,19
31_120	87611	Sicherungsbügel für Kugelzapfen, Lenkdämpfer und Schaltung	(0,23)	0,27
31_121	1234399	Gabelkappe R50/5-R100/7, R100S ->09/77	(12,78)	14,82
31_122	33343	Dichtring Gabelkappe oben R50/5->	(0,56)	0,65
31_123	9919662	Gabelöl Einfüllschraube R60/6-R100	(0,49)	0,57
31_125	1234907	Gabelstabilisator 09/73->09/80	(33,23)	38,55
31_125	1238904	Gabelverschraubung R60/7-R100	(25,72)	29,84
31_126	2000399	Gabel-Zwischenring (Vorspannung) R50/5->	(2,15)	2,49
31_127	40179	Scheibe Gabelverschraubung oben R50/5->	(2,97)	3,45
31_128	1233038	Gabelfilz R90S, R100S,CS,RS,RT ->09/80	(0,82)	0,95
31_129a	34908	Faltenbalg Gabel R50/5-100/7 mit 13 Rippen	(12,78)	14,82
31_129b	1234908	Faltenbalg Gabel R50/5-100/7 mit 11 Rippen	(16,87)	19,57
31_130	34396	Manschette Gabel R90S-R100	(8,37)	9,71
31_131	61026	Schelle Gabel R50/5-R75/5	(1,28)	1,48
31_132a	00376	Standrohr R50/5-R100 ->09/80	(172,41)	200,00
31_132b	41655	Standrohr R60/7-R100 09/80->	(125,00)	145,00
31_132c	41656	Standrohr R50/5-R100 ->09/80 verlängerte Ausführung	(125,00)	145,00
31_132d	41658	Standrohr R60/7-R100 09/80-> verlängerte Ausführung	(125,00)	145,00
31_133a	32017	Gabelfeder R50/5-R100 ->'85 verstärkt	(12,78)	14,82
31_133b	32018	Gabelfeder R50/5-R100 ->85, R80G/S, R65G/S, progressiv	(18,41)	21,36
31_134	2000384	Gabelanschlagbuchse R50/5-R100, ->08/80	(1,18)	1,37
31_135	1232046	Gabelgewinding R50/5-R100 ->09/80	(12,68)	14,71
31_136	1232045	Gabel-Dämpfering R50/5-R100 ->08/80	(5,98)	6,94
31_137	1234506	Gabel-Dämpfering für verstärkte Feder R50/5-R100 ->08/80	(5,01)	5,81
31_140	1232059	Gabel-Lamellenring (Kolbenring für Dämpfer) R50/5-R100 ->09/80	(0,46)	0,53
31_141	1232054	Gabelstützlager unten R50/5-R100 ->09/80	(24,54)	28,47
31_142	1232763	Gabel-Beilagscheibe R50/5-R100	(2,90)	3,36
31_145	1232057	Gabel-Druckfeder, Dämpfer/Rohr 09/69->	(0,92)	1,07
31_147	86280	Verschlußbolzenkugel Gabel	(0,31)	0,36
31_148	32061	Verschlußbolzenfeder Gabel R50/5-R100	(0,61)	0,71
31_149	32060	Verschlußbolzen Gabel unten R50/5-R100	(7,16)	8,31
31_150	230001	Wedi Gabel R50/5-R100RS, R45/65,->08/84	(4,55)	5,28
31_152	1232297	Tauchrohr Gabel R60/6, R60/7 rechts für 14mm Achse	(181,03)	209,99
31_154	98562	Stehbolzen	(1,64)	1,90
31_156	98204	Schraube Zylinderkopf-Inbus	(0,43)	0,50
31_157a	1232426	Dichtring Gabel R50/5-75/5 unten, groß	(0,92)	1,07
31_157b	1232369	Dichtring Gabel R60/6-R90S, unten groß	(0,56)	0,65
31_157c	9963010	Dichtring Gabel unten R60/7->	(0,18)	0,21
31_158a	1230751	Gabelanschlagring R50/5-R75/5	(2,30)	2,67
31_158b	1231314	Gabelanschlagring R60/6-R100 ->8/80	(5,98)	6,94
31_159	9963041	Dichtring Gabel R50/5-> unten klein	(0,31)	0,36
31_160	2000380	Gabelverschlußschraube unten R50/5-R75/5	(21,73)	25,21
31_161	54140	Dichtring Gabel R50/5-R75/5, Stoßdämpferrohr unten	(0,46)	0,53
31_162	22093	Mutter verzinkt	(0,20)	0,23
31_163	2000381	Gabelkappe unten R50/5-R100, ->08/80	(1,64)	1,90



31_169	37245	O-Ring Federlager oben R45/65	(0,61)	0,71
31_170	41657	Standrohr Gabel R45/65	(125,00)	145,00
31_170	32021	Gabelfeder R45/65, R80ST progressiv	(18,41)	21,36
31_181	1237205	Manschette Gabel R60/7-R100, R45, R65GS	(4,85)	5,63
31_182	1241737	Gabel-Zwischenring Typ 56 alle Typ 54 11/82->, Typ 57 09/80->	(1,74)	2,02
31_182b	10199	Wedi Gabel R65-R100RT 09/84->	(6,60)	7,66
31_201	1238909	Gabelkappe oben, Plastik, R60/7-R80RT, 09/77->'95, auch rückwirkend R50/5-R90S	(0,92)	1,07
31_201	1454815	Gabelkappe oben R65-R80RT '85, R100'87	(0,92)	1,07
31_209	1454962	O-Ring Gabel R65-80RT'85, R100'87	(0,61)	0,71
31_211	32020	Gabelfeder R80->, '85-> progressiv	(18,41)	21,36
31_213	1452013	Gabelführung Plastik R65, R80, R100 09/84->	(1,64)	1,90
31_223	1454392	Manschette Gabel '85-'96	(10,90)	12,64
31_228	9913408	Gabelölablaßschraube R65, R80 09/84->, R100 09/86->	(0,87)	1,01
31_238a	1241666	Faltenbalg Gabel R80G/S, R65G/S	(9,20)	10,67
31_238b	1311077	Faltenbalg Gabel R80GS-R100PD 08/89->	(25,05)	29,06
31_243	2301724	Gabelfeder-Stützlager R65/R80GS R80-R100 09/80->	(0,92)	1,07
31_244	32018	Gabelfeder R50/5-R100 ->85, R80G/S, R65G/S, progressiv	(18,41)	21,36
31_248	1241649	Gabelführung Plastik 09/80->'84	(6,14)	7,12
31_270	1457853	Standrohr R80-R100GS, PD, Basic	(133,62)	155,00
31_273a	1458220	Faltenbalg Gabel R100GS ->08/89	(25,05)	29,06
31_273b	1311077	Faltenbalg Gabel R80GS-R100PD 08/89->	(25,05)	29,06
31_298	1458064	Wedi Gabel R80GS-R100PD, 09/90->	(7,06)	8,19
31_301	1244529	Seitenstrahler gelb, Gabel R45-100 und Tourenkoffer	(3,83)	4,44



Gruppe 32: Lenkung



32711236297	1236297
32_000	1459318
32_000	25400

Instrumentengehäuse Deckel unten R45-R65LS, '78-'85	(5,00)	5,80
Prallplatten-Abdeckkappe K, R1100	(0,56)	0,65
Gasgriff Sportausführung, radial 2-zügig 44mm Hub, Aluminium	(45,25)	52,49



32_000	1451734	Gasgriffgehäuse R80-R100PD 09/90->	(46,28)	53,68
32_001a	1233307	Gasgriffrohr R50/5-R90S ->08/74	(16,36)	18,98
32_001b	1454129	Gasgriffrohr 09/74->	(15,43)	17,90
32_004	32668	Gasgriffdeckelschraube R26-R100, ->'81	(1,43)	1,66
32_005b	1233306	Gasgriffdeckel R50/5-R90S, lang 09/72->08/74	(7,93)	9,20
32_007a	72219	Klemmschraube Griff R26-69S, R50/5-R75/5	(0,43)	0,50
32_007b	9900311	Klemmschraube Griff 09/75->	(0,43)	0,50
32_009a	1232664	Gasgriffgehäuse R50/5-R90S, 09/72->08/74	(28,63)	33,21
32_012	38382	Mutter Griffhebelschraube	(0,28)	0,32
32_014	1230874	Gasgriff-Feststellschraube R50/5-R90/6 mit Feder	(6,03)	6,99
32_016	1233350	Griffhebel Bremse R50/5->, ->08/74	(20,94)	24,29
32_017	1230404	Nippelaufnahme R50/5-R100	(4,00)	4,64
32_025	35611	Lenker-Prallplatte R100RS	(24,54)	28,47
32_026	1238280	Emblem Prallplatte Lenker 76->84, selbstklebend	(3,96)	4,59
32_029a	1233537	Gasgriffgehäuse R60/6-R100S ->09/80	(43,19)	50,10
32_031a	1234850	Griffhebel Bremse R60/6-R100 09/74->08/80	(18,96)	21,99
32_031b	1238384	Griffhebel Bremse R45/65, ->08/80	(15,87)	18,41
32_032	1230871	Griffhebel-Federscheibe	(0,26)	0,30
32_034	1231610	Filz für Bowdenzug R50/5->	(0,87)	1,01
32_036	1454245	Gasgriffdeckelschraube 09/81->	(1,04)	1,21
32_037a	1233538	Gasgriffdeckel R60/6-R100 alter Nocken, 2 Gaszüge, 09/75->09/80	(9,46)	10,97
32_037b	33539	Gasgriffdeckel R60/6-R100 neuer Nocken, 2 Gaszüge, 9/75->9/80	(9,03)	10,47
32_037c	1242561	Gasgriffdeckel R80, R100, neuer Nocken, 1 Gaszug, 09/80->	(8,81)	10,22
32_038	1232463	Gasgriffzugkette R50/5-R90S ->09/74	(10,80)	12,53
32_038a	1233535	Gasgriffzugkette R60/6-R100, 2-zügig, 30mm Gashub, 09/74->09/80	(10,80)	12,53
32_038b	1457036	Gasgriffzugkette R80GS-K100, 38mm Gashub 1-zügig, 09/90->	(10,80)	12,53
32_038c	1233536	Gasgriffzugkette R90S-100RS, 2-zügig, 40mm Gashub, 09/74-9/80	(10,80)	12,53
32_038d	1457038	Gasgriffzugkette R80GS/PD, R65, R100, 09/85->, 35mm Gashub, 2-zügig	(10,80)	12,53
32_038e	1457080	Gasgriffzugkette R80, R45/65 09/80-08/80 35mm Hub, R65G/S-R80ST 9/84->	(11,25)	13,05
32_038f	1457081	Gasgriffzugkette R100 09/80->, 42mm Gashub, 1-zügig	(10,80)	12,53
32_038g	1458092	Gasgriffzugkette R100GS/PD, 42mm Gashub, 2-zügig, 09/87-08/90	(10,80)	12,53
32_038h	1238379	Gasgriffzugkette R45/65 ->08/84, 33mm Gashub, 2-zügig	(10,80)	12,53
32_039a	9928128	Bremsbehälterschraube kurz 09/90->	(0,61)	0,71
32_039b	9942544	Bremsbehälterschraube lang 09/76->, R45/65 09/80->	(0,87)	1,01
32_039c	2311143	Bremsbehälterschraube R45/65 ->09/80	(0,41)	0,48
32_040a	1454945	Bremsbehälterdeckel 09/76->, R45/65 09/80->	(2,86)	3,32
32_040b	1454944	Bremsbehälterdeckel 09/90->	(2,86)	3,32
32_040c	1238389	Bremsbehälterdeckel R45/65 ->09/80	(2,86)	3,32
32_042a	1242547	Bremsbehältebalg und -Scheibe 09/76-> und R45/65 09/80->	(5,34)	6,19
32_042b	1451742	Bremsbehältebalg und -Scheibe 09/90->	(4,85)	5,63
32_042c	1238387	Bremsbehältebalg und -Scheibe R45/65 ->08/80	(4,85)	5,63
32_044	42624	O-Ring Bremsbehälter (Gasgriff)	(1,43)	1,66
32_050	720852	Griffgummi-Paar R60/7->	(9,87)	11,45
32_052	37812	Griffgummi rechts R60/7->	(4,42)	5,13
32_052a	19152	Griffgummi-Paar R24-R90S, Repro	(7,67)	8,90
32_052b	720850	Griffgummi-Paar R24-R90S, Magura	(10,23)	11,87
32_052c	7208501	Griffgummi rechts, Magura	(5,62)	6,52
32_052d	7208502	Griffgummi links, Magura	(5,62)	6,52
32_053	37811	Griffgummi links, R60/7->	(4,42)	5,13
32_054a	2302371	Bremskolben Satz Magura 12mm	(24,03)	27,87
32_054a	1242548	Bremszylindersatz 13mm/1 Scheibe 08/80->	(81,81)	94,90
32_054b	1238392	Bremskolben Satz Magura 13mm	(24,03)	27,87
32_054b	1238385	Bremszylindersatz 13mm/1 Scheibe ->08/80 R45/65	(88,15)	102,25

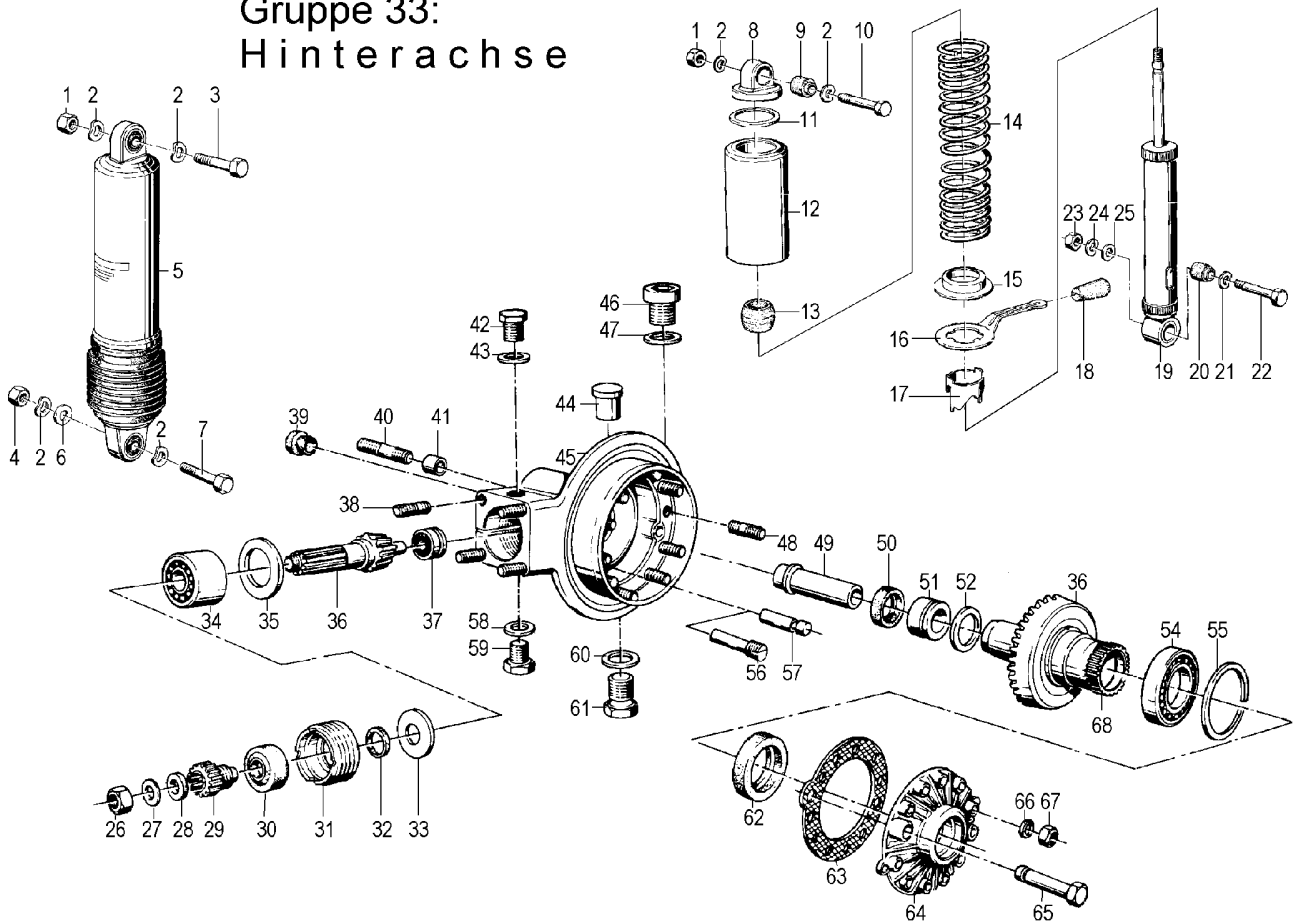


32_054c	1242873	Bremszylindersatz 15mm/2 Scheiben->08/80 R60/7->, R65LS	(79,15)	91,81
32_054c	1454474	Bremskolben Satz Magura 14mm	(24,03)	27,87
32_054d	2334101	Bremskolben Satz Magura 15mm	(24,03)	27,87
32_054d	1242549	Bremszylindersatz 16mm/2 Scheiben 09/79->08/81	(79,34)	92,03
32_054e	1238386	Bremszylindersatz 16mm/2 Scheiben->08/80 R45/65	(81,81)	94,90
32_054e	1238393	Bremskolben Satz Magura 16mm	(24,03)	27,87
32_055	1242555	Griffhebel Bremse R60/7-R100, R45/65 09/80->	(15,87)	18,41
32_062a	2302368	Gasgriff komplett, R45-R100 09/81-09/84 D=15mm, 2 Bremsscheiben, 1-zügig	(115,04)	133,45
32_062b	2310747	Gasgriff komplett R80->, 09/84 D=14mm, 2-zügig	(125,73)	145,85
32_062c	2310742	Gasgriff komplett R80R->, 09/90-> D=13mm 2-zügig	(132,23)	153,39
32_063	2302363	Gasgriff R45-R100, 09/80->09/81 für 2 Bremsscheiben	(125,62)	145,72
32_063a	1234846	Gasgriff R60/6-R100/7, 09/74->09/80 Gashub 30mm	(79,34)	92,03
32_063b	1234847	Gasgriff R90S ab 09/74, R100S, R100RS Gashub 40mm	(79,34)	92,03
32_064	1232981	Gasgriff R50/5-R90S ->08/74	(93,65)	108,63
32_072a	32980	Kupplungsgriff R50/5-90S ->9/74	(53,69)	62,28
32_072b	1232660	Kupplungsgriffgehäuse R50/5-R90S ->1975	(24,54)	28,47
32_074	1233348	Griffhebel Kupplung R50/5->, ->08/74	(20,94)	24,29
32_077	1241862	Kupplungsgriff R60/7-R100 11/79-> mit Chokehebel	(53,77)	62,37
32_078	1234723	Kupplungsgriff R60/6-R100 ->11/79, R45/65 ohne Chokehebel	(48,27)	55,99
32_079a	1234724	Chokehebel Abdeckung R60/6->08/80	(1,84)	2,13
32_079b	1451975	Chokehebel Deckel 09/80->	(2,85)	3,31
32_080	9907430	Chokehebel Schraube 09/76->	(1,07)	1,24
32_081	1240792	Chokehebel R60/7->R100 am Lenker	(9,61)	11,15
32_083	1240790	Chokehebel Rastplatte 09/76->	(0,92)	1,07
32_084	1240791	Chokehebel Beilagscheibe R60/7->	(0,49)	0,57
32_085	51749	Griffhebelschraube schwarz '90->, mit Mutter	(2,30)	2,67
32_093	1234848	Griffhebel Kupplung R60/6-R100, R45/65	(15,87)	18,41
32_094	1242125	Gaszug (Gasgriff->Verteiler) ->'80	(9,71)	11,26
32_094	1242594	Chokezug zum Verteiler 09/79->	(7,69)	8,92
32_095	1242014	Zugverteiler 09/80->	(3,83)	4,44
32_096	01342	Tülle Zugverteiler	(0,61)	0,71
32_096a	1242139	Chokezug Verteiler/Vergaser rechts 09/79->	(5,64)	6,54
32_096a	2302232	Gaszug kurz (Verteiler->Vergaser) '80->	(9,71)	11,26
32_096b	1242135	Gaszug lang (Verteiler->Vergaser) '80->	(9,71)	11,26
32_097a	1242138	Chokezug Verteiler/Vergaser 09/79->links	(5,89)	6,83
32_097b	1454605	Chokezug Verteiler/Vergaser links 423mm	(6,12)	7,10
32_098	1230404	Nippelaufnahme R50/5-R100	(4,00)	4,64
32_100a	1234515	Bremszug R50/5-R60/7, Standardlenker	(8,08)	9,37
32_100b	34516	Bremszug R50/5-R60/7, 15cm länger	(8,08)	9,37
32_101a	1230041	Kupplungszug R50/5-R75/5	(7,57)	8,78
32_101b	1230042	Kupplungszug R50/5-R75/5, +15cm	(8,08)	9,37
32_101c	1230044	Kupplungszug R50/5-R75/5, +30cm	(8,59)	9,96
32_101e	1233099	Kupplungszug R60/6->R100 Mystic 1436mm	(14,83)	17,20
32_101f	1450213	Kupplungszug K-Modelle kurz	(10,61)	12,31
32_101g	1450215	Kupplungszug K-Modelle lang	(16,74)	19,42
32_101h	1235744	Kupplungszug lang, R60/6-R100RT, R80G/S, GS, 1520mm, Hochlenker	(15,15)	17,57
32_103a	2311828	Gaszug R100GS, PD 09/90->, R100R, rechts 1178mm	(8,16)	9,47
32_103a	1236610	Gaszug R50/5-R60/7 original, ->08/80	(7,82)	9,07
32_103b	1236611	Gaszug R50/5-R60/7 (+10cm), ->08/80 originale Qualität	(8,00)	9,28
32_103c	1236612	Gaszug R75/5-80/7 und R100, 09/78-> 08/80, original, 1018mm	(7,82)	9,07
32_103d	1236613	Gaszug R75/5-R75/7 R80, R100, '76->'84 original, 1096mm	(11,50)	13,34
32_103e	1236614	Gaszug R75/5-R80/7 und R100 09/78-> 08/80, original, 1146mm	(9,38)	10,88
32_103f	236613	Gaszug R75/5-R80/7 und R100, 09/78-> 08/80 (+15cm)	(5,52)	6,40
32_103g	236612	Gaszug R75/5-R80/7 und R100, 09/78-> 08/80 + (R45/65)	(4,81)	5,58
32_103h	236614	Gaszug R75/5-R80/7 und R100, 09/78-> 08/80 (+30cm)	(5,83)	6,76
32_103i	1237691	Gaszug R45/65 ->09/80	(10,14)	11,76



32_103j	1237692	Gaszug R45/65 ->09/80, 1007mm	(10,14)	11,76
32_103k	1454582	Gaszug R65, R80, 1027mm 09/84->	(11,50)	13,34
32_103ka	1454583	Gaszug R65, R80, 987mm 09/84->	(11,50)	13,34
32_103l	1454584	Gaszug R65, R80, 1158mm 09/84-> (+13cm)	(11,50)	13,34
32_103ml	1458090	Gaszug R80GS-100GS, links, 1130mm	(10,74)	12,46
32_103n	1458091	Gaszug R80GS 09/84->, R100GS, PD 09/87->, R80R/Mystic, 1165mm, rechts	(10,23)	11,87
32_103o	2311827	Gaszug R100GS, PD 09/90->, R100R, links	(8,16)	9,47
32_105	1117638	Faltenbalg Kupplungs-/Bremszug R50/5-R100	(1,84)	2,13
32_106	1230038	Kupplungs- und Bremszugtülle R50/5->	(1,48)	1,72
32_106b	30039	Kupplungszugtülle lang R50/5->	(1,98)	2,30
32_108	33254	Tülle Kupplungszugführung R50/5->	(0,92)	1,07

Gruppe 33: Hinterachse



33_000	1233302	Dichtring Antrieb Ritzelwelle R60/6-R100 und Motorentlüfter 51254788	(0,92)	1,07
33_000	1457605	Dichtring Bremsschlüssel hinten 09/89-> R80-R100	(0,28)	0,32
33_000	1237586	Feder hinten verstärkt, R45/65	(28,49)	33,05
33_000	1240811	Faltenbalg Niveauregulierung R60/6-R90S, R80, R100	(28,00)	32,48
33_000	2301743	Federbein R65GS-80ST,'80->'92	(240,80)	279,33
33_000	1230525	Scheibe Mitnehmer Ritzelwelle R50/5->	(0,87)	1,01
33_000	30256	Sicherungsblech Antriebsritzel R50/5-R75/5	(0,41)	0,48
33_000	1450095	Druckring Ritzelwelle, Paralever '87->	(4,41)	5,12
33_000	2301595	Federbeinauge hinten R60/6-R100, ->84	(5,29)	6,14
33_000	22734	Federbein R80/100GS,PD 1991-> WhitePower	(392,28)	455,04
33_000	2312459	Federbein R80/100R, Mystic 1992-> Original BMW	(359,44)	416,95
33_000	12459	Federbein R80/100R, Mystic 1992-> WhitePower	(392,28)	455,04
33_005	2301545	Federbein Niveauregulierung '74-'84 R60/6-R100, nur paarweise tauschen	(260,76)	302,48



33_005b	1236110	Federbein-Satz R50/5-R100, IKON (Bau-und Nummerngleich mit Koni)	(224,14)	260,00
33_005c	1237505	KONI Federbein R45/65, Satz	(224,14)	260,00
33_005d	236110	Federbein R60/6-R100, hinten links, verstärkt, original BMW	(245,00)	284,20
33_005e	236111	Federbein R60/6-R100, hinten rechts, verstärkt, original BMW	(245,00)	284,20
33_009	230276	Silentblock Stoßdämpfer R50/5-R100 ->'84 oben	(3,45)	4,00
33_011	1237288	Federbein-Beilagscheibe R50/5-R100, ->84	(1,48)	1,72
33_012a	1230277	Aluhülse hinten R50/5-R75/5, ->8/73	(29,97)	34,77
33_012b	1233084	Aluhülse hinten R60/6,75/6,90/6, R90S	(36,55)	42,40
33_013	1230280	Federbein Anschlaggummi hinten R50/5-R100 ->'84	(1,12)	1,30
33_014a	1231893	Feder R50/5-R100 verstärkt, für Originalfederbein	(22,50)	26,10
33_014b	31894	Feder R50/5-R100 extra hart, für Original Federbein	(29,65)	34,39
33_015	1230282	Federbein Führungsring unten R50/5->84	(3,17)	3,68
33_016a	1230363	Federbeinhebel R50/5->08/84	(9,00)	10,44
33_016b	2300061	Federbeinschlüssel 09/84->	(4,86)	5,64
33_017a	1230272	Federbein Verstellhülse links R50/5->84	(21,47)	24,91
33_017b	1230273	Federbein Verstellhülse rechts R50/5->84	(21,47)	24,91
33_018	1230359	Federbeinhebel Griff R50/5->08/84	(0,92)	1,07
33_019	1240646	Stoßdämpfer Boge hinten R50/5-R100	(99,18)	115,05
33_020	30258	Silentblock Stoßdämpfer R50/5-R100 ->'84 unten	(3,97)	4,61
33_020b	2301596	Silentgummi Federbeinauge R60/6-R100->84	(2,86)	3,32
33_028b	31093	Mitnehmerritzel Beilagscheibe R60/6-R100	(0,56)	0,65
33_029b	33303	Mitnehmer Ritzelwelle R60/6-R100	(24,54)	28,47
33_030	30356	Wedi Kardaneingang R50/5-R100 (28.55.9)	(4,55)	5,28
33_033	1230353	Distanzscheibe Mitnehmer Ritzelwelle	(2,51)	2,91
33_034	1230247	Lager Ritzelwelle vorne R50/5->	(35,69)	41,40
33_035a	30737	Distanzring Ritzelwelle R50/5-75/5 2,5mm	(1,99)	2,31
33_035b	1230717	Distanzring Ritzelwelle R50/5-75/5 1,5mm	(1,99)	2,31
33_035c	30719	Distanzring Ritzelwelle R50/5-75/5 1,6mm	(1,99)	2,31
33_035d	30721	Distanzring Ritzelwelle R50/5-75/5 1,7mm	(1,99)	2,31
33_035e	30723	Distanzring Ritzelwelle R50/5-75/5 1,8mm	(1,99)	2,31
33_035f	30725	Distanzring Ritzelwelle R50/5-75/5 1,9mm	(1,99)	2,31
33_035g	30727	Distanzring Ritzelwelle R50/5-75/5 2,0mm	(1,99)	2,31
33_035h	30729	Distanzring Ritzelwelle R50/5-75/5 2,1mm	(1,99)	2,31
33_035i	30731	Distanzring Ritzelwelle R50/5-75/5 2,2mm	(1,99)	2,31
33_035j	30733	Distanzring Ritzelwelle R50/5-75/5 2,3mm	(1,99)	2,31
33_035k	30735	Distanzring Ritzelwelle R50/5-75/5 2,4mm	(1,99)	2,31
33_036	1233288	Radsatz 37:11, R80	(230,08)	266,89
33_036a	33287	Radsatz 32:10, R75/5-R80/7	(255,13)	295,95
33_036b	33290	Radsatz 32:11, R75/5, R90S, R100RS	(255,13)	295,95
33_036c	33286	Radsatz 34:11, R90/6	(250,00)	290,00
33_036d	1233292	Radsatz 33:11, R90S, R100	(255,13)	295,95
33_036e	1233289	Radsatz 32:9,(3,56), R50/5,R60/7,R60TIC	(255,20)	296,03
33_037a	30244	Nadellager Ritzelwelle R50/5-R100->09/80	(20,35)	23,61
33_037b	36995	Nadellager Ritzelwelle R45-R100, 09/80->	(12,27)	14,23
33_040	1452062	Bolzen Antrieb/Federbein R65-R80 ab '85	(9,92)	11,51
33_040	9908177	Stehbolzen Antrieb/Federbein R50/5-R100 ->8/83	(2,66)	3,09
33_041	1230350	Büchse Federbein/Antrieb R50/5->08/83	(2,30)	2,67
33_042	19225	Ölablaßschraube	(1,43)	1,66
33_044a	1232581	Entlüfter Antrieb R50/5-R100 ->09/80	(8,69)	10,08
33_044b	1238838	Entlüfter Schraube Antrieb 09/80->	(9,47)	10,99
33_045a	33281	Achsantrieb 32:10, überholt	(424,37)	492,27
33_045b	1238660	Achsantrieb R45,65, 34:8 gebraucht	(230,08)	266,89
33_045c	1241093	Achsantrieb R50/5, R60/6-/7, 32:9	(478,24)	554,76
33_046b	19209	Ölkontroll-Schraube	(0,92)	1,07
33_050	04337	Wedi Mitnehmer/Antrieb	(3,53)	4,09
33_051a	1242738	Nadellager Tellerrad R50/5->	(38,35)	44,49
33_051b	42367	Nadellager Tellerrad R80, ST, G/S	(22,45)	26,04

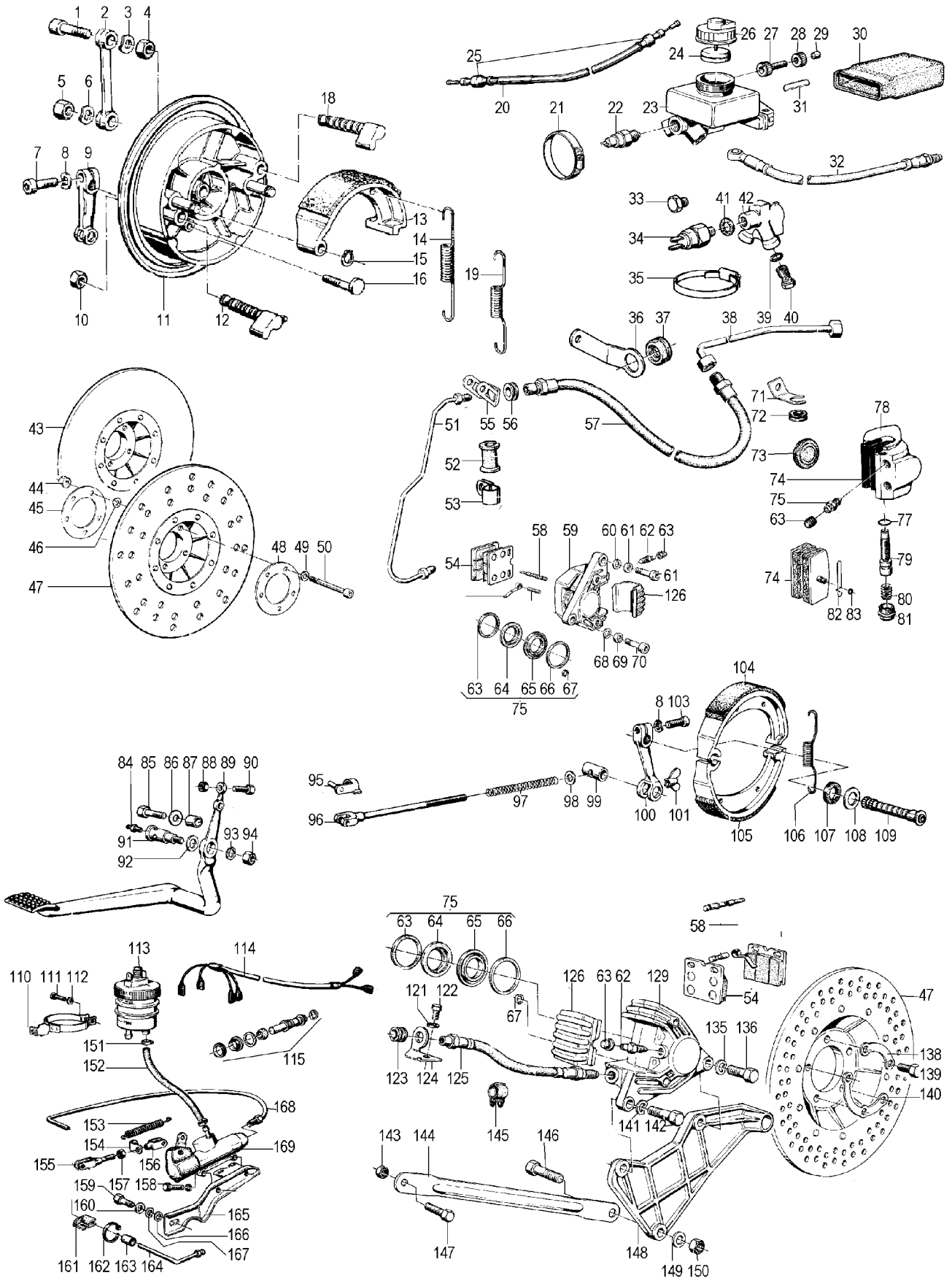


www.UlisMotorradladen.de - Info@UlisMotorradladen.de

33_052a	38931	Druckring Tellerrad R50-R69S, R50/5-R100 1,5mm	(3,83)	4,44
33_052b	38932	Druckring Tellerrad R50-R69S, R50/5-R100 1,6mm	(3,83)	4,44
33_052c	32769	Druckring Tellerrad R50-R69S, R50/5-R100 1,7mm	(3,83)	4,44
33_052d	30527	Druckring Tellerrad R50-R69S, R50/5-R100 1,8mm	(3,83)	4,44
33_052e	31238	Druckring Tellerrad R50-R69S, R50/5-R100 1,9mm	(3,83)	4,44
33_052f	30528	Druckring Tellerrad R50-R69S, R50/5-R100 2,0mm	(3,83)	4,44
33_052g	31239	Druckring Tellerrad R50-R69S, R50/5-R100 2,1mm	(3,83)	4,44
33_052h	30529	Druckring Tellerrad R50-R69S, R50/5-R100 2,2mm	(3,83)	4,44
33_052i	30530	Druckring Tellerrad R50-R69S, R50/5-R100 2,3mm	(5,37)	6,23
33_052j	30531	Druckring Tellerrad R50-R69S, R50/5-R100 2,4mm	(3,83)	4,44
33_052k	30532	Druckring Tellerrad R50-R69S, R50/5-R100 2,5mm	(3,83)	4,44
33_052L	30533	Druckring Tellerrad R50-R69S, R50/5-R100 2,6mm	(3,83)	4,44
33_054b	42210	Rillenkugellager Antrieb Einarmschwinge für Tellerrad ab '80	(37,80)	43,85
33_055a	1230535	Distanzscheibe Tellerrad, 0.180mm 2-Armschwinge	(2,25)	2,61
33_055b	1230536	Distanzscheibe Tellerrad, 0.280mm 2-Armschwinge	(2,25)	2,61
33_055c	1230537	Distanzscheibe Tellerrad, 0.380mm 2-Armschwinge	(2,25)	2,61
33_055d	1230538	Distanzscheibe Tellerrad, 0.500mm 2-Armschwinge	(2,25)	2,61
33_055e	1230539	Distanzscheibe Tellerrad, 0.630mm 2-Armschwinge	(2,25)	2,61
33_055f	1241703	Distanzscheibe Tellerrad, 0.180mm 1-Armschwinge	(2,25)	2,61
33_055g	1241704	Distanzscheibe Tellerrad, 0.280mm 1-Armschwinge	(2,25)	2,61
33_055h	1241705	Distanzscheibe Tellerrad, 0,380mm 1-Armschwinge	(2,25)	2,61
33_055i	2310549	Distanzscheibe Tellerrad, 0.500mm 1-Armschwinge	(4,25)	4,93
33_062a	14032	Wedi Tellerrad R50-R69S, R50/5-R75/5	(7,67)	8,90
33_062b	41619	Wedi Achsantrieb Einarmschwinge	(14,99)	17,39
33_063a	2311096	Antriebsdeckeldichtung 09/69->09/80	(2,40)	2,78
33_063b	2311097	Antriebsdeckeldichtung 9/80->	(2,91)	3,38
33_068a	30808	Mitnehmervverzahnung R50/5-R100 erneuern, ausgebaut, einzeln	(178,95)	207,58
33_068b	930809	Mitnehmervverzahnung R50/5-R100 erneuern (eingebaut angeliefert)	(201,96)	234,27
33_068c	30810	Mitnehmervverzahnung R50/5-R100 erneuern (ausgebaut angeliefert)	(141,04)	163,61



Gruppe 34: B r e m s e n





34_000	460358	Bremsscheibenschloß für 5mm Loch	(11,68)	13,55
34_000	1242759	Bremsschlauch R100 hinten	(21,47)	24,91
34_000	1362825	Schelle Bremsschlauch R100 hinten	(0,36)	0,42
34_000	41565	Stahlflex Bremsleitung RT, T, vorne oben 09/80->, Lucas, mit Gutachten	(43,10)	50,00
34_000	41564	Stahlflex Bremsleitung R100RS vorne oben 09/80->, Lucas, mit Gutachten	(43,10)	50,00
34_000	41563	Stahlflex Bremsleitung R100 CS vorn oben 09/80->, Lucas, mit Gutachten	(41,38)	48,00
34_002	2060338	Bremsankerplatten Abstützung R50/5-60/7	(9,20)	10,67
34_007	98158	Schraube M 6X20 Zylinderkopf-Inbus	(0,18)	0,21
34_011	1230024	Bremsankerplatte R50/5-R60/6 gebraucht, ohne Anbauteile	(102,26)	118,62
34_012	1230016	Bremsschlüssel R50/5-R60/7 vorne unten	(21,73)	25,21
34_013	2311079	Bremsbacken-Satz R50/5-R60/6 vorne EBC	(48,49)	56,25
34_014	1230020	Bremsbackenfeder R50/5-60/7 vorne oben und R51/3-R69S	(2,45)	2,84
34_015	34066	Sicherungsring Bremsbacke R50/5->	(0,23)	0,27
34_016	1230010	Exzenterbolzen R50/5-60/7 vorn	(14,83)	17,20
34_018	1230018	Bremsschlüssel R50/5-R60/7 vorne oben	(24,80)	28,77
34_019	2060237	Bremsbackenfeder R50/5-R60/7 vorne unten	(2,45)	2,84
34_023a	1234926	Bremszylinderreparatursatz 14mm (u.Tank) 09/75->08/80 (1 Bremsscheibe)	(33,50)	38,86
34_023b	1234924	Bremszylinderreparatursatz 14mm R75/6-90/6 ->09/75 (unter dem Tank)	(33,50)	38,86
34_023b	1242547	Bremsbehältebalg und -Scheibe 09/76-> und R45/65 09/80->	(5,34)	6,19
34_023c	1234925	Bremszylinderreparatursatz 16mm R90S ->08/75 (unter dem Tank)	(33,50)	38,86
34_023d	1234927	Bremszylinderreparatursatz 17mm R90S 09/75-> (unter dem Tank)	(34,91)	40,50
34_025a	1234400	Bremszug R75/6-90S ->08/75 Ø:6mm, Standardlenker	(10,69)	12,40
34_025b	1234857	Bremszug R60/6-> 09/75->, Ø:7mm, flacher Lenker	(11,02)	12,78
34_025c	1235809	Bremszug R60/6->, 09/75->, Ø:7mm, hoher Lenker	(12,17)	14,12
34_030	1233559	Bremszylinder Schutzkappe R75/6-R100 (unter dem Tank)	(8,31)	9,64
34_031	1233309	Druckstift für Bremszylinder unter Tank	(1,69)	1,96
34_032a	1239825	Bremsschlauch R45/65 oben kurz 78->09/81	(19,84)	23,01
34_032a	1239827	Bremsschlauch R45/65 oben, 78->09/81	(19,84)	23,01
34_032b	1238218	Bremsleitung oben R45T	(3,83)	4,44
34_032b	1237236	Bremsleitung oben R45/65	(3,83)	4,44
34_034	1244334	Bremslichtschalter(Verteiler unter Tank)	(13,19)	15,30
34_036a	1233127	Bremsleitungshalter oben R75/6-90S	(4,86)	5,64
34_036b	1234628	Bremsleitungshalter oben R75/7-R100	(1,94)	2,25
34_036c	1241561	Bremsleitungshalter unten links R80, 100	(6,39)	7,41
34_036d	1241562	Bremsleitungshalter unten rechts R80,100	(5,88)	6,82
34_037	34629	Tülle Bremsleitung oben R60/7->	(1,07)	1,24
34_040a	1242205	Bremsleitung Hohlschraube M10x1	(2,45)	2,84
34_040b	42206	Bremsleitung Hohlschraube M10x1 Aluminium eloxiert	(4,60)	5,34
34_042	1239831	Bremsleitung Verteiler ATE	(11,50)	13,34
34_042b	1241568	Bremsverteiler ab R80/7 09/80->	(12,53)	14,53
34_045	1232417	Bremsscheiben Beilagscheibe 5-Loch 09/73->09/80	(3,78)	4,38
34_047a	1236566	Bremsscheibe 09/73->08/84 vorn und R100S/RS hinten	(153,20)	177,71
34_047b	2310143	Bremsscheibe 80GS,100GS 09/87->, R65-R80RT 06/88->08/90	(180,00)	208,80
34_047c	1454612	Bremsscheibe 09/84->	(142,00)	164,72
34_047d	1236005	Bremsscheibe R45/65 ohne LS, R80G/S, ST, R60-R100 mit schmaler Nabe	(152,36)	176,74
34_047e	1452174	Bremsscheibe R65-R80RT 84->06/88	(128,85)	149,47
34_047f	1457470	Bremssattel Brembo links R100 '87-> und Nachrüstung 2. Scheibe R65-R80RT	(136,64)	158,50
34_051a	1232405	Bremsleitung unten links ->08/80	(7,26)	8,42
34_051b	1232406	Bremsleitung unten rechts->08/80	(7,26)	8,42
34_054a	2301360	Bremsklotz-Satz 80/7-100 '81-> und R100S,RS,RT hinten (Brembo), EBC	(20,45)	23,72
34_054b	2310983	Bremsklotz-Satz R100R und K's '90->	(22,50)	26,10
34_054c	2314546	Bremsklotz-Satz R65,80, '85->,R100 '89-> K75 '85->	(22,50)	26,10
34_054d	2314545	Bremsklotz-Satz R80, R100 85->89, R100GS 87->	(26,59)	30,84
34_055	1233155	Bremsleitungshalter unten R75/6-R90S	(10,02)	11,62



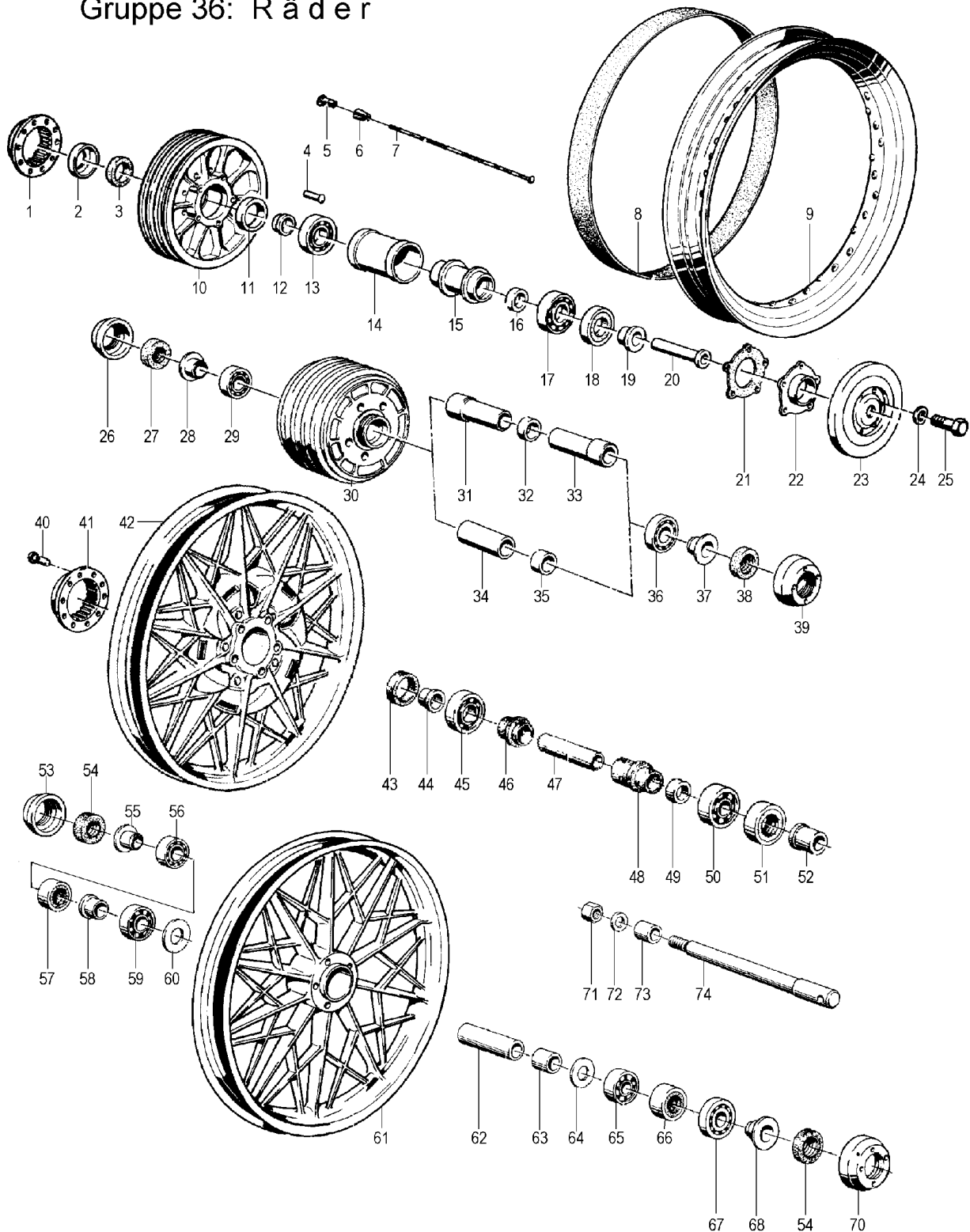
34_056	1233159	Tülle Bremsleitung vorn R60/6->	(0,61)	0,71
34_057a	1234699	Bremsschlauch ATE-Pendelsattelbremse	(49,60)	57,54
34_057b	1239826	Bremsschlauch R45/65 unten, '78->09/81	(16,36)	18,98
34_057b	34600	Stahlflex Bremsleitung R45/65 '78->09/81 Lucas, mit Gutachten, Satz	(90,52)	105,00
34_057c	1242106	Stahlflex Bremsleitung R80/100 PD, G/S, Lucas, mit Gutachten	(53,45)	62,00
34_057d	2312692	Stahlflex Bremsleitung R80/100R, Lucas, (2x direkt Bremszylinder/Bremssattel)	(48,28)	56,00
34_057e	98882	Stahlflex Bremsleitung R75/6->, Lucas,Sonderanfertigung ab Lenker, TÜV(60,34)		69,99
34_057f	34700	Stahlflex Bremsleitung R75/6-R100 ->09/80 mit Gutachten, Lucas	(46,55)	54,00
34_057g	35736	Stahlflex Bremsleitung R100RS, RT->81 vorne, Lucas, Satz mit Gutachten(86,21)		100,00
34_057g	1235736	Bremsleitung R100RS, RT->81 vorne	(29,60)	34,34
34_057h	11686	Stahlflex Bremsleitung R80GS'91 Lucas, mit Gutachten	(56,90)	66,00
34_057i	1457909	Bremsschlauch lang RT-Modelle, R45/65	(21,73)	25,21
34_058	1238059	Bremsklotz-Anbauteile Brembo ->'84 R80GS ->'92	(6,39)	7,41
34_058b	1238066	Bremsklotz Haltestift R45/65 ATE	(2,49)	2,89
34_058c	1238065	Bremsklotzfeder R45/65 ATE	(6,00)	6,96
34_059a	1241555	Bremssattel Brembo links R60-100,09/80->	(136,64)	158,50
34_059b	1241556	Bremssattel Brembo rechts R60-100,9/80->	(136,64)	158,50
34_059c	1450755	Bremssattel Brembo rechts R100 '87-> und Nachrüstung 2. Scheibe R65-R80RT	(136,64)	158,50
34_062a	1233124	Bremsentlüfter-Schraube ATE	(3,83)	4,44
34_062b	1236793	Bremsentlüfter-Schraube Brembo	(4,70)	5,45
34_063a	1233125	Bremsentlüftung-Staubkappe ATE	(1,07)	1,24
34_063b	1236794	Bremsentlüftung Staubkappe Brembo	(2,30)	2,67
34_067	987001	Bremssattel O-Ring klein 45/65 einzeln	(3,99)	4,63
34_073a	2301705	Bremssattel Reparatursatz ATE für 38mm Kolben	(67,50)	78,30
34_073b	1454809	Bremssattel Dichtungssatz R45/65 ATE	(19,84)	23,01
34_073c	1233317	Bremssattel Manschette ATE 09/73->08/84	(14,50)	16,82
34_073d	2301709	Bremssattel Reparatursatz ATE für 40mm Kolben	(58,87)	68,29
34_074a	2301358	Bremsklotz-Satz R75/6-R100 ->'81 R45,65 '76-78, für ATE Pendelsattel	(23,01)	26,69
34_074b	2301359	Bremsklotz-Satz R45/65 '79-'81 ATE	(20,40)	23,66
34_075a	1458211	Bremssattel Dichtungssatz Brembo 09/84->	(15,74)	18,26
34_075b	1237234	Bremssattel Reparatursatz Brembo R65GS-R100RT, R100RS hinten	(14,55)	16,88
34_077	31469	O-Ring Ate Bremssattelachse	(1,10)	1,28
34_079	1231462	Bolzen Bremssattel Ate	(30,42)	35,29
34_080	1231468	Feder Bremssattel Achse Ate	(0,56)	0,65
34_081	31466	Verschlußschraube Bremssattel R75/6->	(7,67)	8,90
34_082	1232513	Bremsklotzfeder ATE R75/6->	(1,64)	1,90
34_083	233120	O-Ring Ate Bremsklotz	(1,72)	2,00
34_089	1230043	Fußbremshebel R50/5-R100 ->09/80	(69,02)	80,06
34_091	1230221	Fußbremshebel-Lagerbolzen R50/5-R100 09/80->09/80	(23,01)	26,69
34_095a	34961	Bremsstangenbolzen mit Sicherungsfeder 6x12mm	(1,48)	1,72
34_095b	9934955	Bremsstangenbolzen mit Sicherungsfeder 6x24mm	(1,48)	1,72
34_096a	1450743	Bremsstange R50/5-75/5 Kurzschwinge, R45/65, K75 ohne Anbauteile, verzinkt	(10,12)	11,74
34_096aa	50743	Bremsstange R50/5-R75/5 Kurzschwinge, R45/65, komplett mit 6mm	(35,79)	41,52
34_096b	1232999	Bremsstange R50/5-R90S Langschwinge, verzinkt, ohne Anbauteile, Originalteil	(10,53)	12,21
34_096bb	32999	Bremsstange R50/5-R90S Langschwinge, komplett mit 6mm Federklappbolzen,	(35,79)	41,52
34_100a	1230308	Bremshebel R50/5-R100 hinten ->09/80	(19,68)	22,83
34_100b	1239078	Bremshebel hinten 09/80->	(15,65)	18,15
34_103	19625	Schraube Zylinderkopf-Inbus	(0,20)	0,23
34_104a	2311088	Bremsbacken-Satz R50/5-R100, R45/65 hinten, ->08/80, EBC	(48,49)	56,25
34_104b	2311089	Bremsbacken-Satz R65LS hinten	(76,69)	88,96
34_104c	2310523	Bremsbacken-Satz 09/80-09/89 hinten alle R-Modelle, EBC	(48,49)	56,25
34_104d	2311019	Bremsbacken-Satz R80, R100 09/89-> EBC	(48,49)	56,25



34_105a	1457572	Bremsfeder Dämpfgummi R60/7-R100 ->09/89	(1,98)	2,30
34_105b	1458148	Bremsfeder Dämpfgummi R80GS-R100R	(1,98)	2,30
34_106a	1457091	Bremsbackenfeder R50/5-R100 hinten ->09/89, R45/65, GS,ST	(2,45)	2,84
34_106b	1458377	Bremsbackenfeder R80-R100 hinten 09/89-> auch GS, PD, R	(3,75)	4,35
34_107	30360	Filzring Bremsschlüssel R50/5-R100	(0,33)	0,38
34_107b	06328	O-Ring Bremsschlüssel ab R80/7 und R45/R65, R100 09/80->09/89	(0,46)	0,53
34_108	60107	Scheibe Bremsschlüssel Trommel hinten ab R50/5	(0,36)	0,42
34_109a	1230261	Bremsschlüssel R50/5-R100 hinten->08/80	(30,87)	35,81
34_109b	1454836	Bremsschlüssel R100 hinten 09/80->	(55,00)	63,80
34_113	1238040	Bremszylinderkappe Hinterrad "RS"	(4,55)	5,28
34_115a	2302371	Bremskolben Satz Magura 12mm	(24,03)	27,87
34_115b	1237233	Bremszylinder Reparatursatz hinten, 16mm R100 RS, RT, S	(20,58)	23,87
34_115b	1238392	Bremskolben Satz Magura 13mm	(24,03)	27,87
34_115b	1242791	Bremszylinder Reparatursatz R100RS, RT hinten	(22,39)	25,97
34_115c	1454474	Bremskolben Satz Magura 14mm	(24,03)	27,87
34_115d	2334101	Bremskolben Satz Magura 15mm	(24,03)	27,87
34_115e	1238393	Bremskolben Satz Magura 16mm	(24,03)	27,87
34_125b	42759	Stahlflex Bremsleitung hinten, R100S '76->, R100RT '81->, Lucas mit Gutachten	(40,52)	47,00
34_126a	1238067	Bremssattel Schutzkappe ATE	(3,83)	4,44
34_126b	1238058	Bremssattel Schutzkappe Brembo	(2,15)	2,49
34_138	1235844	Sicherungsblech Bremsscheibe R100 hinten 2-Loch	(1,00)	1,16
34_140	1235843	Sicherungsblech Bremsscheibe R100 hinten 3-Loch	(0,97)	1,13
34_151	1116458	Schelle Bremschlauch Behälter/Zylinder hinten	(0,51)	0,59
34_152	1236259	Bremschlauch Behälter->Zylinder hinten	(2,51)	2,91
34_169a	1238084	Hauptbremszylinder hinten R100S, RS, RT ->09/80	(81,54)	94,59
34_169b	1241960	Hauptbremszylinder hinten R100RS, RT 09/80->	(81,54)	94,59
34_200	1234379	Hauptbremszylinder 2 Scheiben ->09/80 Ø=17mm	(198,28)	230,00



Gruppe 36: R ä d e r



36_	98000	Auswuchtglebewicht 50gr	(2,97)	3,45
36_000	1458284	Stopfen Radnabe hinten R65GS-R100R	(0,35)	0,41
36_001a	30325	Mitnehmer Radnabe R50/5-R75/5	(66,12)	76,70
36_001b	32525	Mitnehmer Radnabe R60/6-R100	(50,69)	58,80



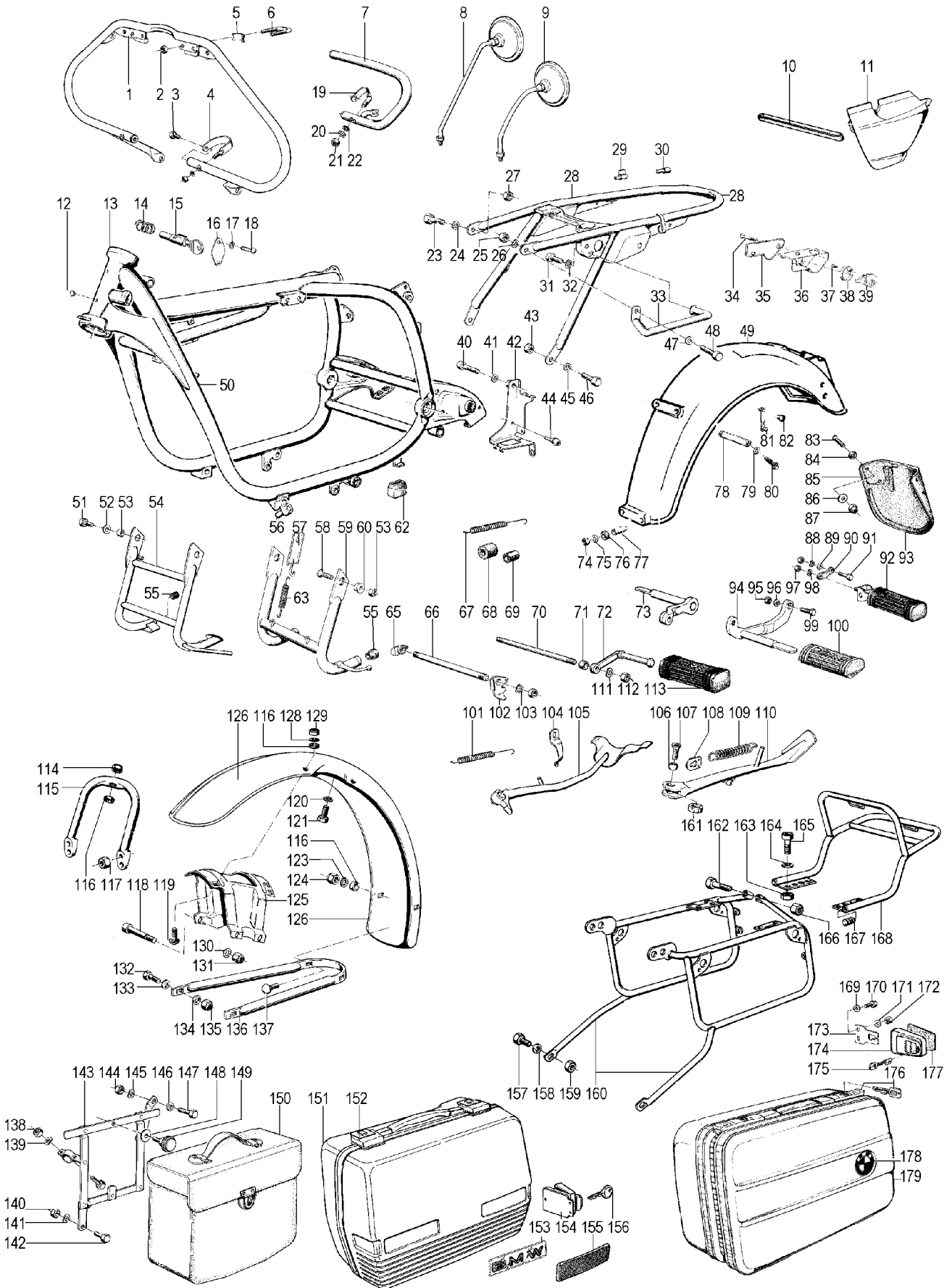
36_003	31701	Wedi Radlager R50/5-R100 hinten und vorne innen	(4,85)	5,63
36_003a	38155	Filzring Radlager R25/2-R27, R50/5-R75/5	(1,48)	1,72
36_004a	9947165	Niet für Radmitnehmer R50/5-R75/5 und R50-R69S	(0,31)	0,36
36_004b	9900800	Niet für Radmitnehmer R60/6-R100->'84	(0,41)	0,48
36_007a	34592	Speiche R50/5-R60/6 vorne, mit Nippel, verchromt	(0,99)	1,15
36_007b	8046	Speiche R50/5-R60/6 vorne, mit Nippel, Edelstahl	(1,20)	1,39
36_007c	34593	Speiche R75/6-R100 vorn, mit Nippel, Edelstahl	(0,99)	1,15
36_007d	8047	Speiche R75/6-R100 vorn, mit Nippel, Edelstahl	(1,20)	1,39
36_007e	6044	Speiche R50/5-R100 hinten mit Nippel,	(0,99)	1,15
36_007f	1047	Speiche R50/5-R100 hinten mit Nippel, Edelstahl	(1,20)	1,39
36_007g	1241608	Speiche R65GS-R80GS, 80-92, vorne mit Nippel, verchromt	(1,26)	1,46
36_008	1040	Felgenband	(1,79)	2,08
36_009a	1231351	Felge R50/5-R100 hinten, Stahl verchromt	(61,36)	71,18
36_009b	1233325	Felge Alu hinten R50/5-R100 Original BMW	(130,00)	150,80
36_009c	933325	Felge Alu hinten R50/5-R100 verstärkte Neuauflage	(86,41)	100,24
36_009d	1233323	Felge Alu vorn R50/5-R60/6 Original BMW	(111,46)	129,29
36_009e	1233321	Felge Alu vorn R75/6-R100 Original BMW	(129,31)	150,00
36_009f	933323	Felge Alu vorn R50/5-R60/6, für Trommelbremse, verstärkte Neuauflage	(86,41)	100,24
36_010a	32811	Radnabe R50/5-R75/5 hinten, 3 Rippen	(184,07)	213,52
36_010b	32437	Radnabe R50/5-R60/6 vorne, leer	(230,08)	266,89
36_010c	32979	Radnabe R60/6-R100 ->1981 hinten	(235,19)	272,82
36_010d	1239035	Speichenrad R60/6-R100, R45/65 hinten mit Trommelbremse	(495,95)	575,30
36_010d	239035	Speichenrad R60/6-R100, R45/65 hinten, Trommelbremse, gebraucht, neu gelagert	(332,34)	385,51
36_010e	2302280	Speichenrad R80ST vorn komplett, 1,85x19 ohne Reifen 100/90 H 19	(372,45)	432,04
36_014	30324	Radlagerdistanzrohr R50/5-R75/5 vorne und hinten, R60/6-R90S nur hinten	(6,54)	7,59
36_015	35737	Radlagerdistanzrohr R50/5-60/6 vorne und hinten, R75/6-R100 hinten	(9,92)	11,51
36_015b	35570	Radlagerdistanzgummi R50/5-R100	(0,74)	0,86
36_018	30334	Wedi Radlager ->08/78 hinten und vorne außen	(4,55)	5,28
36_019	1230322	Druckhülse links R50/5-R100	(6,14)	7,12
36_020	30007	Steckachsenreduzierhülse R50/5-R75/5	(9,20)	10,67
36_021	1232523	Dichtung Radlagerdeckel R50/5-R100	(1,07)	1,24
36_022b	32477	Radlagerdeckel R60/6-R100 ->'84	(12,02)	13,94
36_023	30338	Raddeckel R50/5-R75/5 Edelstahl	(34,00)	39,44
36_028	4038142	Druckhülse rechts R50/5-R100	(6,14)	7,12
36_030	37090	Radnabe R75/6-R100 ->1981 vorne	(101,24)	117,44
36_030b	1235819	Radnabe R45/65, R65/80GS vorne, leer	(158,50)	183,86
36_032	31140	Radlagerdistanzring R75/6-R90S vorne 10,20mm für 14mm Achse	(0,01)	0,01
36_033	32423	Radlagerdistanzhülse R75/6-90S vorne für 14mm Steckachse	(15,24)	17,68
36_034	37606	Radlagerdistanzrohr vorne R75/6-R100	(3,83)	4,44
36_035a	30781	Radlagerdistanzring 6,30mm, R50/5-R75/5	(2,45)	2,84
36_035b	30782	Radlagerdistanzring 6,35mm, R50/5-R75/5	(2,45)	2,84
36_035c	30783	Radlagerdistanzring 6,40mm, R50/5-R75/5	(2,45)	2,84
36_035d	30784	Radlagerdistanzring 6,45mm, R50/5-R75/5	(2,45)	2,84
36_035e	30785	Radlagerdistanzring 6,50mm, R50/5-R75/5	(2,45)	2,84
36_035f	30786	Radlagerdistanzring 6,55mm, R50/5-R75/5	(2,45)	2,84
36_035g	30787	Radlagerdistanzring 6,60mm, R50/5-R75/5	(2,45)	2,84
36_035h	31240	Radlagerdistanzring 6,65mm, R50/5-R75/5	(2,45)	2,84
36_035i	30788	Radlagerdistanzring 6,70mm, R50/5-R75/5	(2,30)	2,67
36_035j	31241	Radlagerdistanzring 6,75mm, R50/5-R75/5	(2,45)	2,84
36_035k	30789	Radlagerdistanzring 6,80mm, R50/5-R75/5	(2,45)	2,84
36_035l	31242	Radlagerdistanzring 6,85mm, R50/5-R75/5	(2,45)	2,84
36_035m	31243	Radlagerdistanzring 6,90mm, R50/5-R75/5	(2,45)	2,84
36_035n	31244	Radlagerdistanzring 6,95mm, R50/5-R75/5	(2,45)	2,84
36_035o	31245	Radlagerdistanzring 7,00mm, R50/5-R75/5	(2,45)	2,84



36_035p	31246	Radlagerdistanzring 7,05mm, R50/5-R75/5	(2,45)	2,84
36_035q	31247	Radlagerdistanzring 7,10mm, R50/5-R75/5	(2,45)	2,84
36_035r	31248	Radlagerdistanzring 7,15mm, R50/5-R75/5	(2,45)	2,84
36_035s	31249	Radlagerdistanzring 7,20mm, R50/5-R75/5	(2,45)	2,84
36_041	1236208	Mitnehmer Radnabe R100, '76->'84 R45/65 '78->'85, Scheibenbremse, Gußrad	(50,86)	59,00
36_042a	1238092	Gußrad R60/6-R100, R45/65 silber, hinten mit Trommelbremse	(511,29)	593,10
36_042b	238092	Gussrad R60/6-R100, R45/65 silber, hinten Trommelbremse, gebraucht, neu gelagert	(332,34)	385,51
36_043	35832	Wedi Radlager R100 hinten rechts '78->	(4,55)	5,28
36_044	2301737	Druckhülse rechts für Modelle mit verripptem Antrieb / Scheibenbremse	(11,25)	13,05
36_054	35836	Wedi Radlager R75/6-R100, 78->, vorn innen + außen	(4,55)	5,28
36_061a	2302284	Gußrad R45/65 vorn, 18 Zoll, silber, ohne Bremsscheibe	(347,68)	403,31
36_061b	1457361	Gußrad vorne schwarz R100RS, K75, K100	(270,00)	313,20
36_061c	1451897	Gußrad, silber, vorn R65, R80RT, R100RT	(277,68)	322,11
36_071	98389	Mutter M14x1,5, flach, Steckachse R50/5> Edelstahl	(1,33)	1,54
36_073a	1233491	Distanzbüchse Steckachse Speichenrad 09/73->08/80, Gußrad ->8/84, 19mm	(1,94)	2,25
36_073b	1242632	Distanzbüchse Steckachse 24mm 09/79->	(10,99)	12,75
36_073c	1242633	Distanzbüchse Steckachse 4mm 09/79->	(1,79)	2,08
36_073d	1232285	Distanzbüchse Steckachse 18mm ->8/73	(5,37)	6,23
36_074a	60336	Steckachse R50/5-R90S vorn 14mm bis 1975	(50,69)	58,80
36_074b	33490	Steckachse R60/6-R100 vorn 17mm ab 1975	(40,90)	47,44
36_075	132519	Reifen 3.25/3.50H19 "Hausmarke", Rillenprofil, Vorderreifen	(46,02)	53,38
36_076	432518	Reifen 3.25S18 ME11 Metzeler	(60,34)	69,99
36_077	232519	Reifen 3.25S19 ME11 Metzeler	(65,96)	76,51
36_078	540018	Reifen 4.00S18 H-06, Mitas	(48,28)	56,00
36_079	240018	Reifen 4.00S18 ME77 Metzeler	(77,59)	90,00
36_080	1408017	Reifen 140/80B17 69V TL ME55A Metronic Metzeler	(152,88)	177,34



Gruppe 46a: F a h r g e s t e l l





46_000	9020217	Seitenwagenhilfsrahmen R50/5 bis R100/7 mit Anschlußschellen und Streben	(626,00)	726,16
46_000	34511	Schelle für Krauserkoffer ->R100	(9,71)	11,26
46_000	35469	Schlüssel BMW für Krauser Befestigung ->1981	(2,97)	3,45
46_000	2315306	Motorspoiler Nachrüstsatz R80GS-R100PD, Alpinaweiß	(122,71)	142,34
46_000	2301594	Hauptständer R45/65, 01/82->	(76,18)	88,37
46_000	9056257	Hauptständer R45/65 -> 01/82 mit allen Anbauteilen	(96,97)	112,49
46_000	1233574	Scheinwerfer-Klemme Vollverkleidung	(1,94)	2,25
46_000	1454388	Fußrastenbeilagscheibe R65-100PD,K75-100	(0,56)	0,65
46_000	1457392	Fußrastenanschlag R65-R100PD, K75-100	(0,92)	1,07
46_000	38375	Schloss für Rahmenrohr "BMW"	(26,33)	30,54
46_000	2322724	Motorspoiler R80GS-R100PD, Avusschwarz, einzeln	(117,60)	136,42
46_000	1235513	Dichtung RS-,RT-Verkleidung	(2,30)	2,67
46a_000	40465	Seitenständer Bolzen R45/65	(0,92)	1,07
46a_000	41169	Seitenständer Buchse R45/65	(1,28)	1,48
46a_000	34860	Luftpumpe kurz ab R50/5, schwarz	(9,97)	11,57
46a_000	40450	Seitenständer R45/65 ->09/79	(58,80)	68,21
46a_000	36510	Tülle Batterieabdeckung R80, R45/65	(0,61)	0,71
46a_000	1235684	Lackstift-Set Daytonametallic R90S	(8,17)	9,48
46a_000	54744	Ständerbefestigung Reparatursatz R45-100 verstärkt -> '84	(15,08)	17,49
46a_000	1454535	Fußraste hinten links R65-100PD, K75-100	(9,92)	11,51
46a_000	2242109	Fußrasten Gummiauflage R65GS-R80ST	(3,75)	4,35
46a_000	37523	Seitenständer Anschlag R45/65 '79->	(0,46)	0,53
46a_000	13070	Lackstift Schwarz 086	(4,19)	4,86
46a_000	38294	Seitenständer Haltebügel R45/65	(2,86)	3,32
46a_000	1242001	Senkschraube für Rahmenheck R50/5-R100	(0,92)	1,07
46a_000	1239070	Seitenständerbuchse R45/65->09/80	(0,41)	0,48
46a_000	1456296	Lackstift-Set Tabakbraunmetallic K100	(8,17)	9,48
46a_000	2302079	Sturzbügel-Schelle schwarz, zweiteilig in Verbindung mit Bügel 2302080	(3,99)	4,63
46a_000	2302080	Sturzbügel-Schellenbügel, zweiteilig in Verbindung mit Schelle 2302079	(2,66)	3,09
46a_000	1452297	Kappe Sitzbankschloß R60/7-R100 '76-84	(0,38)	0,44
46a_000	1454536	Fußraste hinten rechts R65-100PD,K75-100	(9,92)	11,51
46a_000	1457390	Fußraste Lagerbock R65-100PD, K75-100 11/86 ->	(1,74)	2,02
46a_000	90178	Luftpumpen-Alu-Rändelmutter	(0,92)	1,07
46a_000	90172	Luftpumpen-Staubkappe	(0,51)	0,59
46a_000	90176	Luftpumpen-Gummidichtung	(0,59)	0,68
46a_000	90170	Luftpumpen-Ventillüfter 3-Loch	(0,59)	0,68
46a_000	90174	Luftpumpen-Rückschlagventil-Gummi	(0,46)	0,53
46a_000	42378	Sitzbankschloß R65G/S-R100R	(23,01)	26,69
46a_000	1455735	Lackstift-Set Columbia-Silbermetallic K100	(8,17)	9,48
46a_000	1240328	Lackstift-Set Hellrotmetallic R45/65	(8,17)	9,48
46a_000	1238292	Seitenständer Bügelbolzen R45/65 ->09/80 oben	(1,68)	1,95
46a_000	1238293	Seitenständerbolzen R45/65 ->11/79	(2,47)	2,87
46a_000	34861	Luftpumpe kurz ab R50/5, silber	(9,97)	11,57
46a_000	1233662	Typenschild R90/6 (am Rahmen)	(1,79)	2,08
46a_000	1240466	Lackstift-Set Dunkelblaumetallic	(8,17)	9,48
46a_000	2301326	Lackstift-Set Classic-Schwarzmetallic K100LT	(8,17)	9,48
46a_000_	01302	Sturzbügel R50/5-R100 Krauser, geteilt	(85,90)	99,64
46a_001	9024171	Sturzbügel R50/5-R100 Trapezform mit allen Anbauteilen, verchromt	(131,91)	153,02
46a_004	1237759	Sturzbügel-Schelle schwarz, einteilig	(4,55)	5,28
46a_004a	24186	Sturzbügel Befestigungs-U-Bügel	(5,57)	6,46
46a_004b	01839	Sturzbügel-Befestigungssatz (geteilt)	(12,02)	13,94
46a_007	301834	Sturzbügel R50/5-R100 Originalform, Satz mit Anbauteilen und Motorachse	(94,83)	110,00
46a_007a	01834	Sturzbügel R50/5-R100 original BMW, Satz mit Anbauteilen und Motorachse	(131,35)	152,37
46a_007b	3052	Sturzbügel R50/5-R100 Fehling, verchromt	(79,40)	92,10



www.UlisMotorradladen.de - Info@UlisMotorradladen.de

46a_007b	1458286	Sturzbügelsatz R80GS '88->,schwarz, mit Seitenständer, Nachrüstsatz (174,11)		201,97
46a_007c	1240879	Sturzbügel R50/5-R100 links, verchromt, ohne Befestigung für Seitenständer	(81,81)	94,90
46a_007d	01808	Sturzbügel verchromt R50/5-R100 rechts, R45-65 ->'85, R100R	(81,81)	94,90
46a_007e	2301839	Sturzbügel R45-65 Satz, schwarz	(143,16)	166,07
46a_007f	1240413	Sturzbügel R45-R65 links, chrom, Original BMW	(84,36)	97,86
46a_007g	2301820	Sturzbügel R45-R65 rechts chrom, Original BMW	(84,36)	97,86
46a_007h	1242628	Sturzbügel links R80GS-R100PD, schwarz mit Befestigung für Seitenständer	(78,43)	90,98
46a_007i	2303890	Sturzbügel R80GS-R100R rechts, schwarz	(78,43)	90,98
46a_007j	2301837	Sturzbügelsatz R65+80GS ->87, schwarz, mit Seitenständer komplett	(169,70)	196,85
46a_007k	1242951	Sturzbügelsatz R65+80GS ->87, schwarz, ohne Seitenständer, mit Anbauteilen	(138,84)	161,05
46a_008a	2039	Rückspiegel R50/5-R75/5, lang, links, 10mm Linksgewinde	(14,83)	17,20
46a_008b	2046	Rückspiegel R50/5-R75/5 lang, rechts, 10mm Rechtsgewinde	(14,83)	17,20
46a_008c	5039	Rückspiegel R60/6-R100, R45/65, links, lang	(14,83)	17,20
46a_008d	5040	Rückspiegel R60/6-100, 8mm, rechts, lang	(14,83)	17,20
46a_008e	2055	Rückspiegel R60/6-R100 schwarz, links, lang und R45/65	(14,83)	17,20
46a_008f	2056	Rückspiegel R60/6-R100 schwarz, rechts, lang	(14,83)	17,20
46a_008g	9039	Rückspiegel R45/65, 8mm, lang, rechts	(14,83)	17,20
46a_009a	2041	Rückspiegel R50/5-R75/5 kurz, links, 10mm Linksgewinde	(14,83)	17,20
46a_009b	2042	Rückspiegel R50/5-R75/5, kurz, rechts, 10mm Rechtsgewinde	(14,83)	17,20
46a_009c	8039	Rückspiegel R60/6-100 8mm links kurz und R45/65 links	(14,83)	17,20
46a_009d	8040	Rückspiegel R60/6-R100, 8mm, rechts, kurz	(14,83)	17,20
46a_009e	9040	Rückspiegel R45/65, 8mm, kurz, rechts	(14,83)	17,20
46a_009f	02175	Rückspiegel ab R80 '87, links+rechts K100 hoher Lenker, schwarz	(14,83)	17,20
46a_009g	98369	Mutter M10 Linksgewinde für Rückspiegel	(0,49)	0,57
46a_010	1351414	Batterieabdeckung-Spannring R50/5->	(0,92)	1,07
46a_011	31235	Batterieabdeckung 09/83->, Paar Nachfertigung	(34,48)	40,00
46a_011a	31867	Batterieabdeckung R50/5->08/83, Paar, Edelstahl poliert	(80,78)	93,70
46a_011d	1231862	Batterieabdeckung R50/5-R75/5 links ->08/73, Originalteil, chrom/schwarz(64,66)		75,01
46a_011e	1231863	Batterieabdeckung R50/5-R75/5 rechts->08/73, Originalteil, chrom/schwarz(64,66)		75,01
46a_011f	1237173	Batterieabdeckung R45/65 links grundiert, Originalteil	(18,74)	21,74
46a_011g	1237174	Batterieabdeckung R45/65 rechts grundiert, Originalteil	(18,74)	21,74
46a_011h	1232539	Batterieabdeckung 09/73 >links, grundiert, Originalteil	(29,31)	34,00
46a_011i	1235024	Batterieabdeckung 09/73-> rechts, grundiert, Originalteil	(29,31)	34,00
46a_011j	1237075	Batterieabdeckung schwarz R45/65 rechts (Avus schwarz)	(32,47)	37,67
46a_011k	36083	Aufkleber "1000cc" gold Seitendeckel	(4,85)	5,63
46a_011k	1452435	Batteriedeckel links R65-R80RT/85 und R100 '87->	(29,97)	34,77
46a_011ka	1240198	Aufkleber"1000cc" blau/weiß Seitendeckel R100RS ->09/80	(8,33)	9,66
46a_011l	35655	Aufkleber "1000cc" blau Seitendeckel	(6,14)	7,12
46a_011l	1452436	Batteriedeckel rechts R65-R80RT/85 und R100 '87->	(29,97)	34,77
46a_011m	34051	Aufkleber "600cc" silber Seitendeckel	(3,68)	4,27
46a_011n	33327	Aufkleber "750cc" silber Seitendeckel	(8,50)	9,86
46a_011o	37266	Aufkleber "800cc" silber Seitendeckel	(3,68)	4,27
46a_011p	33328	Aufkleber "900cc" silber Seitendeckel	(6,54)	7,59
46a_011q	01020	Aufkleber "R100RS" Seitendeckel	(7,90)	9,16
46a_011r	1452414	Aufkleber "R80RT" gold, Seitendeckel	(10,36)	12,02
46a_011s	1240691	Aufkleber "R80" gold	(7,93)	9,20
46a_011t	1240692	Aufkleber "R80" weiß	(7,93)	9,20
46a_012	36624	Typenschild Kerbnagel R50/5->	(0,18)	0,21
46a_012b	31085	Typenschild R50/5	(6,14)	7,12
46a_012c	31086	Typenschild R60/5	(6,14)	7,12
46a_012d	31087	Typenschild R75/5	(6,14)	7,12
46a_015a	317025	Lenkschloß kurz R50/5-R100	(9,20)	10,67
46a_015a	9016007	Lenkschloß R50/5-R75/5, Original BMW	(14,21)	16,48



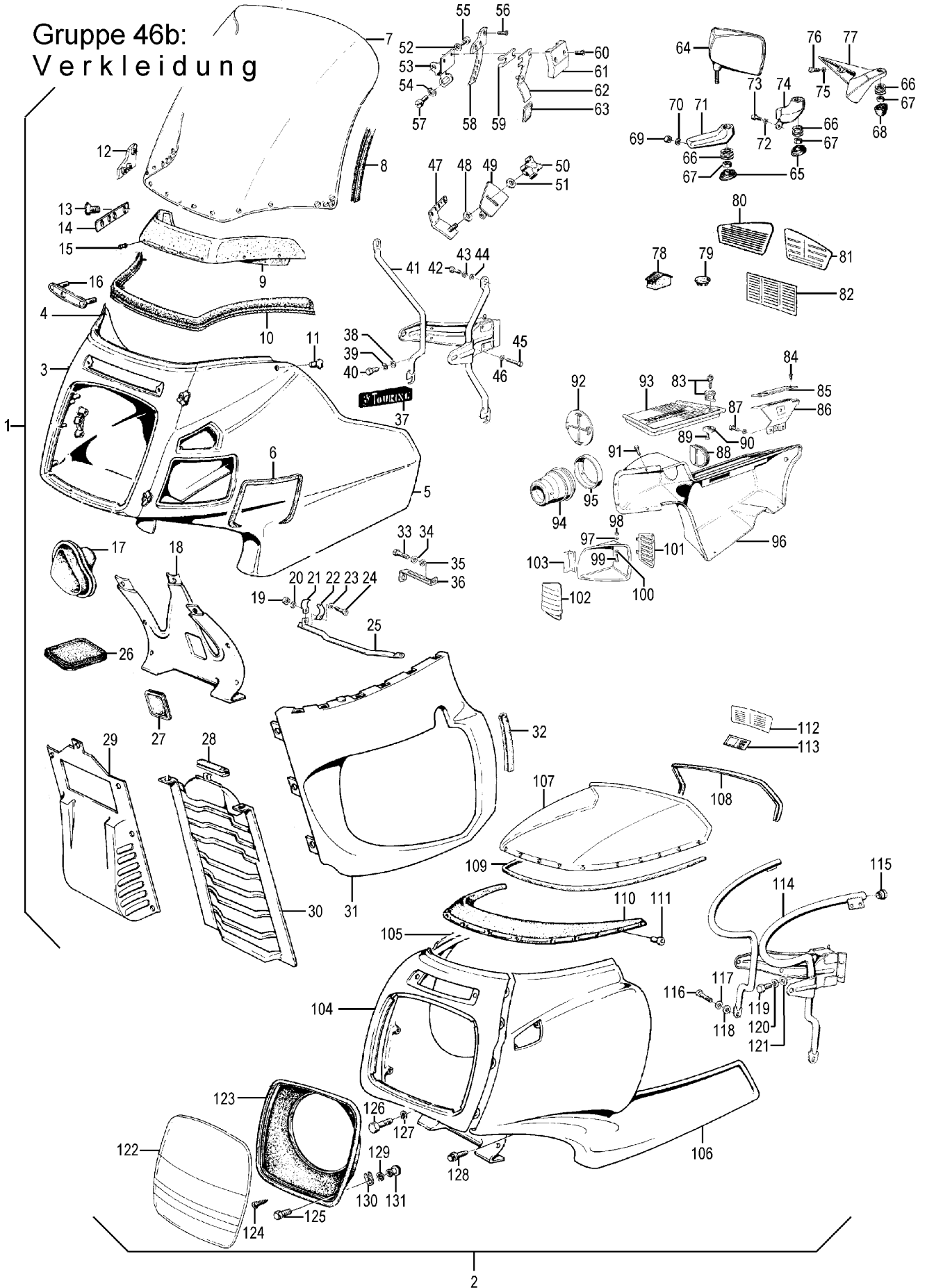
46a_015b	1243274	Lenkschloß R60/6-R100GS/RS, Original BMW	(15,43)	17,90
46a_015c	1453651	Lenkschloß K75, K100, Original BMW	(14,21)	16,48
46a_028	2301268	Rahmenheck R50/5-R90S Langschwinge 09/71->	(199,40)	231,30
46a_028a	01268	Rahmenheck Langschwinge, gerichtet	(117,60)	136,42
46a_029	35638	Sitzbankhalter-Bolzen R50/5->, zum Anschweißen am Rahmen	(6,08)	7,05
46a_033	1234637	Griff Rahmenheckteil schwarz, ->R50/5	(14,32)	16,61
46a_034	28562	Schraube Sitzbankschloß R50/5-R100	(0,31)	0,36
46a_035	30194	Sitzbankschloß Platte R50/5->	(2,51)	2,91
46a_036	30186	Sitzbankschloß R50/5-R100	(24,14)	28,00
46a_037	07602	Schraube Sitzbank Schließzylinder	(0,13)	0,15
46a_038	09932	Sitzbankschloß Ring R50/5->	(1,59)	1,84
46a_039	43277	Sitzbankschloß Schließzylinder R50/5->	(17,24)	20,00
46a_049a	1240297	Kotflügel R50/5-> hinten, schwarz-matt	(126,80)	147,09
46a_049b	295001	Kotflügel R50/5-> hinten, lackiert und handliniert	(296,55)	344,00
46a_051	35511	Ständerschraube R50/5-R100 ->09/80	(0,92)	1,07
46a_053a	30210	Ständerbüchse R50/5-R100 ->09/80	(5,37)	6,23
46a_053b	36528	Ständerbüchse R60/7-R100 09/80->01/82	(1,80)	2,09
46a_053c	01704	Ständerbüchse R60/7-R100 01/82->	(2,25)	2,61
46a_054	1234757	Hauptständer R50/5-100, 2 Streben->09/80	(99,18)	115,05
46a_055	36522	Stopfen Hauptständer R50/5-R100	(1,28)	1,48
46a_056b	1231233	Seitenständerbolzen R50/5->, Übermaß! muß an Bohrungen, Rahmen und Ständer angepaßt werden.	(8,44)	9,79
46a_056c	2311723	Seitenständerbolzen am Sturzbügel Nachrüstung	(4,45)	5,16
46a_057	30409	Hauptständerlasche rechts R50/5->09/80	(2,30)	2,67
46a_058	02046	Ständerschraube 09/80->	(1,43)	1,66
46a_059	2301593	Hauptständer R50/5-100, 1 Strebe 09/80->	(73,63)	85,41
46a_062	31815	Ständeranschlaggummi R50/5-R100	(1,64)	1,90
46a_063a	36282	Ständerfeder R60/7-R100, 09/80->01/82	(2,51)	2,91
46a_063b	2331805	Ständerfeder 111mm R60/7-R100, 01/82->	(2,45)	2,84
46a_063c	01583	Ständerfeder 143mm R60/7-R100, 01/82->	(2,45)	2,84
46a_066	30762	Motorhalteachse R50/5-R100 vorne, R45/65 ab '81 auch hinten	(8,28)	9,60
46a_067	34514	Ständerfeder R50/5-R100 ->09/80	(2,45)	2,84
46a_070	30475	Motorhalteachse R50/5-R100 hinten	(8,28)	9,60
46a_072a	9034125	Fußraste R50-R69S, R50/5-R100, links	(25,56)	29,65
46a_072b	4234260	Fußraste R50-R69S, R50/5-R100, rechts	(20,45)	23,72
46a_072c	1242017	Fußraste links, GS- und PD-Modelle	(11,46)	13,29
46a_072d	1242018	Fußraste rechts GS- und PD-Modelle	(11,46)	13,29
46a_072e	1236733	Fußraste links, R60/7-R100S, '77-'84 90mm	(24,50)	28,42
46a_090	1232230	Fußrastenhalter Sozius 9/73->	(8,23)	9,55
46a_092a	1230477	Fußraste Sozius klappbar rund	(14,83)	17,20
46a_092b	1234661	Fußraste Sozius klappbar eckig BMW	(26,59)	30,84
46a_092c	1242700	Fußraste Sozius klappbar, links R80G/S	(13,22)	15,34
46a_093a	36384	Schmutzfänger hinten R50/5-R100 ->79	(20,27)	23,51
46a_093b	30797	Schmutzfänger hinten R60/7->R100 '79->	(15,08)	17,49
46a_100a	1242046	Fußrastengummi vorn R45/65,R80-100>08/84	(4,85)	5,63
46a_100b	1454887	Fußrastengummi R65-R100 09/84->	(4,86)	5,64
46a_100c	2310401	Fußrastengummi vorn R850-R1150RT	(4,85)	5,63
46a_101a	30219	Seitenständerfeder R50/5-R75/5	(2,45)	2,84
46a_101b	31646	Seitenständerfeder R60/6-R90S	(2,45)	2,84
46a_102	41597	Seitenständerlasche R50/5->09/80	(3,89)	4,51
46a_104	1236859	Seitenständer Federbügel R50/5-R75/5	(6,12)	7,10
46a_105a	41598	Seitenständer R50/5 ->09/80	(91,24)	105,84
46a_105b	41599	Seitenständer R50/5 ->09/80 gebraucht	(40,90)	47,44
46a_105c	1242949	Seitenständer R65GS,80GS,ST-> '87,schwarz Sturzbügelmontage	(66,12)	76,70
46a_107	41170	Seitenständer Schraube ab R80/7, R45	(0,64)	0,74
46a_108a	36859	Seitenständerfeder Haltelasche->R100 '80	(6,60)	7,66
46a_108b	2310721	Seitenständerfeder Haltelasche 09/84->	(1,07)	1,24

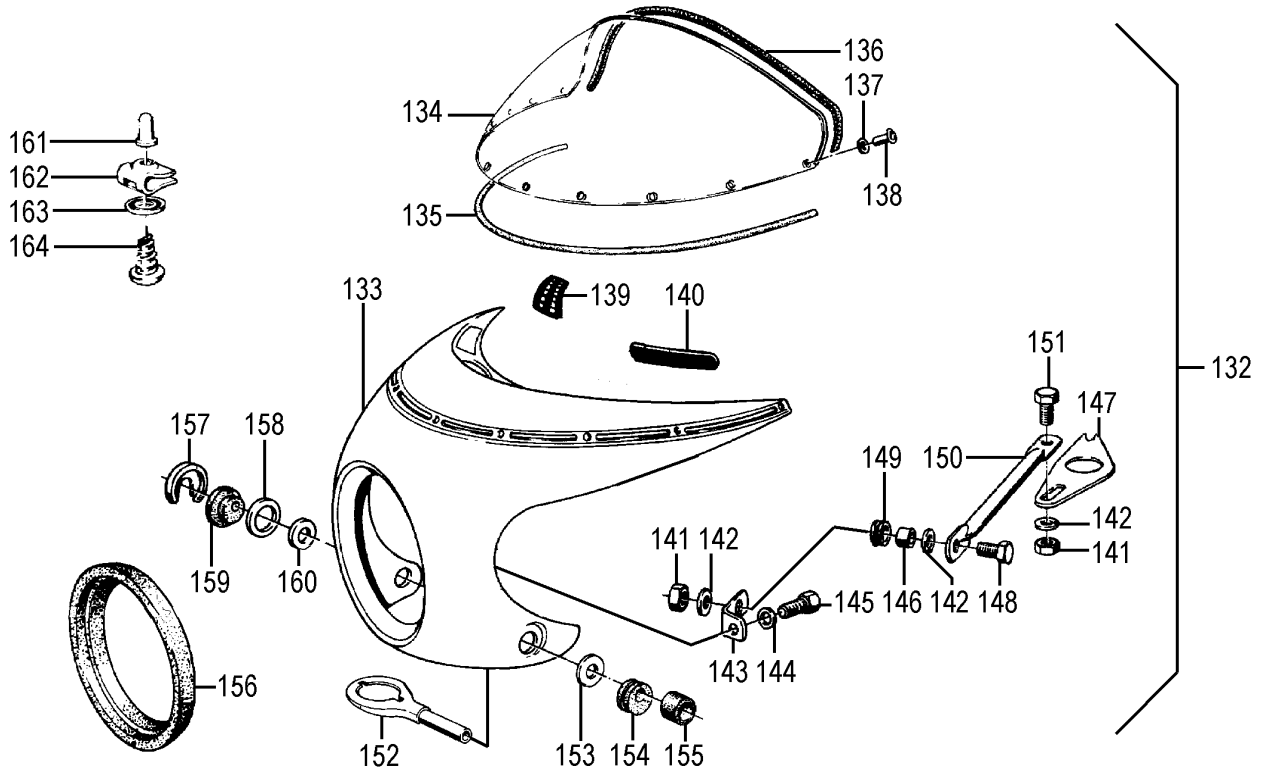


46a_108c	2302005	Seitenständer Federhalter R45-100 09/80>	(1,63)	1,89
46a_108c	2311722	Seitenständer Federhalter am Sturzbügel Nachrüstung	(1,53)	1,77
46a_109a	42335	Seitenständerfeder R60/7->, R45, 09/80->	(1,69)	1,96
46a_109b	2310739	Seitenständerfeder R65-R80RT/85	(2,25)	2,61
46a_110	2311720	Seitenständer R80GS-100PD '88->, schwarz Sturzbügelmontage	(72,09)	83,62
46a_110a	1454751	Seitenständer R45/65 Nachrüstsatz 9/80-> verstärkt	(85,90)	99,64
46a_110b	1454750	Seitenständer Nachrüstsatz R60/7-R100, verstärkt, 1976-84	(85,90)	99,64
46a_110b	1458286	Sturzbügelsatz R80GS '88->,schwarz, mit Seitenständer, Nachrüstsatz	(174,11)	201,97
46a_113a	34107	Fußrastengummi rund R25-R100	(4,70)	5,45
46a_113b	1234660	Fußrastengummi eckig	(8,13)	9,43
46a_116	1230798	Distanzgummi Kotflügelstrebe	(0,49)	0,57
46a_119	9910408	Schraube Kotflügelbefestigung vorne	(0,20)	0,23
46a_126a	1234935	Kotflügel R50/5-R60/7 vorne grundiert	(158,50)	183,86
46a_126b	1235071	Kotflügel R50/5-60/7 vorne, lackiert und liniert, lange Behördenausführung	(296,55)	344,00
46a_126c	1234936	Kotflügel R50/5-R60/7 vorne lackiert und liniert	(296,55)	344,00
46a_126d	1237062	Kotflügel vorn R45/65, R80ST grundiert	(78,46)	91,01
46a_126e	1234931	Kotflügel R75/6-R100 vorn, grundiert	(143,16)	166,07
46a_126f	1234933	Kotflügel R90S vorne, Daytona Orange	(232,00)	269,12
46a_126f	1242488	Kotflügel R60/7-R100 vorne, 1976-> lange Behördenausführung, grundiert	(169,00)	196,04
46a_136	32975	Kotflügelstrebe R50/5-R90S vorn unten	(33,45)	38,80
46a_142	98202	Schraube 6-Kant	(0,15)	0,17
46a_143a	1237249	Packtaschenhalter R65 links für Lederpacktasche	(41,52)	48,16
46a_143b	1237250	Packtaschenhalter R65 rechts für Lederpacktasche	(41,52)	48,16
46a_149	1231263	Rändelschraube Lederpacktasche R50/5->	(1,43)	1,66
46a_151b	2319125	Koffer-Innentasche links, Integralkoffer	(48,48)	56,24
46a_151c	2319126	Koffer-Innentasche rechts, Integralkoffer	(50,69)	58,80
46a_151c	2300009	Kofferschloß für älteren "Touring"-Koffer	(27,33)	31,70
46a_153	1239455	Emblem "BMW" für Touringkoffer, selbstklebend	(8,50)	9,86
46a_154	2300012	Kofferhalteschloß für älteren "Touring"-Koffer	(27,33)	31,70
46a_155	1244529	Seitenstrahler gelb, Gabel R45-100 und Tourenkoffer	(3,83)	4,44
46a_160a	1234597	Kofferhaltersatz chrom R50/5-R75/5 Kurzschwinge	(102,58)	118,99
46a_160b	1239487	Kofferhaltersatz chrom R50/5-R100 Langschwinge ->09/84	(102,58)	118,99
46a_160c	1239490	Kofferhaltersatz R45/65 schwarz	(121,21)	140,60
46a_160d	1239488	Kofferhaltersatz R45/65 chrom ->85	(130,03)	150,83
46a_160e	2300484	Kofferhalter R65-R80, 85->; R100, 87-> rechts, verchromt	(78,23)	90,75
46a_160f	2303529	Kofferhaltersatz Chrom (Integralkoffer) R65-100RS, 85->, BMW	(163,61)	189,79
46a_161	42332	Seitenständer Buchse ab R80/7, R45	(2,81)	3,26
46a_168a	1234693	Gepäckbrücke R50/5-> Chrom (Topcase-Montage möglich)	(68,10)	79,00
46a_168b	1239485	Gepäckbrücke R60/6-R100, R45/65 mit Befestigungssatz, verchromt	(63,91)	74,14
46a_168c	2303693	Top Case Classic R50/5->, 30 Liter	(127,82)	148,27
46a_173	35467	Haltelasche für Krauserkoffer	(9,46)	10,97
46a_174a	90106	Kofferhalteschloß Krauser	(25,00)	29,00
46a_174b	700101	Kofferhalteschloß Hepco & Becker	(21,60)	25,06
46a_176a	37764	Schlüssel Krauser-Koffer	(1,94)	2,25
46a_176a	90471	Kofferdeckelschloß Krauser K1 links	(21,55)	25,00
46a_176b	90472	Kofferdeckelschloß Krauser K1 rechts	(21,55)	25,00
46a_176c	90101	Kofferdeckelschloß Hepco&Becker, links mit Schlüssel	(12,27)	14,23
46a_176d	90102	Koffer Deckelschloß Hepco&Becker, rechts mit Schlüssel	(12,27)	14,23
46a_179	610220	Koffersatz Hepco&Becker Classic 25L(28L) Benjamin (abgeschrägt)	(230,00)	266,80
46a_179a	9500001	Koffersatz Klassik, verbesserte Version, 30 Liter mit Einbuchtung oben für die Sitzbank mit Reling	(257,76)	299,00
46a_179c	10009	Koffersatz Hepco & Becker Classic 30 Liter	(230,00)	266,80
46a_179e	1239269	Koffer Innentasche für Classic-Koffer	(46,02)	53,38
46a_179f	70114	Koffer-Adapterplatte Hepco&Becker	(3,83)	4,44
46a_179g	10010	Koffer Scharnier Hepco & Becker für Koffer 610.009	(4,86)	5,64



Gruppe 46b: Verkleidung





46b_000	1239743	Rückspiegel Kappe->9/80, R60-100RT,links	(0,95)	1,10
46b_000	2301512	Cockpit Unterteil R65LS hennarot	(140,00)	162,40
46b_000	1240627	Rückspiegel Kappe T-/RT-Modelle	(0,97)	1,13
46b_000	1239744	Rückspiegel Kappe->9/80,R60-100RT,rechts	(0,95)	1,10
46b_006	1239021	Dichtrahmen RT-Verkleidung Lufteintritt	(6,54)	7,59
46b_007a	37774	Windschutzscheibe "RT" ->12/79, Original BMW	(132,94)	154,21
46b_007b	52480	Windschutzscheibe "RT" 01/80->, Original BMW	(132,94)	154,21
46b_007c	40622	Windschutzscheibe "RT" Speed7, komplett	(115,52)	134,00
46b_008	02180	Windschutzscheiben-Kantenschutz RT	(6,90)	8,00
46b_010	1240649	Windschutzscheiben Dichtung R45T-100RT	(18,82)	21,83
46b_012a	1241027	Windschutzscheiben-Klemmblech links RT, ->12/79	(4,42)	5,13
46b_012b	1241028	Windschutzscheiben-Klemmblech rechts RT, ->12/79	(4,42)	5,13
46b_015	49633	Windschutzscheiben Hohlniet RT	(0,18)	0,21
46b_016	1241031	Windschutzscheiben-Klemmblech vorne RT, ->12/79	(6,60)	7,66
46b_017a	35500	Manschette Verkleidung/Gabel, links RS-,RT-Modelle	(9,46)	10,97
46b_017b	35501	Manschette Verkleidung/Gabel, rechts RS-,RT-Modelle	(9,46)	10,97
46b_030	1238920	Motorverkleidung mitte, grundiert	(35,00)	40,60
46b_053	1241171	Windschutzscheiben-Grundplatte links RT, ->12/79	(4,23)	4,91
46b_053b	1241172	Windschutzscheiben-Grundplatte rechts RT ->12/79	(3,65)	4,23
46b_058a	1241023	Windschutzscheiben-Halter links RT, ->12/79	(26,47)	30,71
46b_058b	1241024	Windschutzscheiben-Halter rechts RT, ->12/79	(26,47)	30,71
46b_062	1239552	Windschutzscheiben-Verstellhebel RT, ->12/79	(16,01)	18,57
46b_064a	2302173	Rückspiegel R45T-R100RT 09/84->, links konvex	(16,26)	18,86
46b_064b	2302174	Rückspiegel R45T-R100RT 09/84->, rechts konvex	(16,26)	18,86
46b_065a	1235568	Spiegelfuß Staubkappe R100RS '76-84, '87->	(0,97)	1,13
46b_066	1235567	Spiegelkopf Befestigungsfeder für alle T-, RS-, RT-Modelle	(1,10)	1,28
46b_067	98326	Mutter selbstsichernd, verzinkt	(0,15)	0,17
46b_071a	1236129	Spiegelfuß links, R100RS 76-84, 87->	(5,29)	6,14
46b_071b	1236130	Spiegelfuß rechts, R100RS 76-84, 87->	(5,29)	6,14
46b_078	43644	Warnblinkschalter Kappe	(3,83)	4,44
46b_096b	1239107	Dichtung Seitentasche RT-Verkleidung	(3,83)	4,44
46b_107a	35414	Windschutzscheibe "RS", Original BMW	(63,91)	74,14

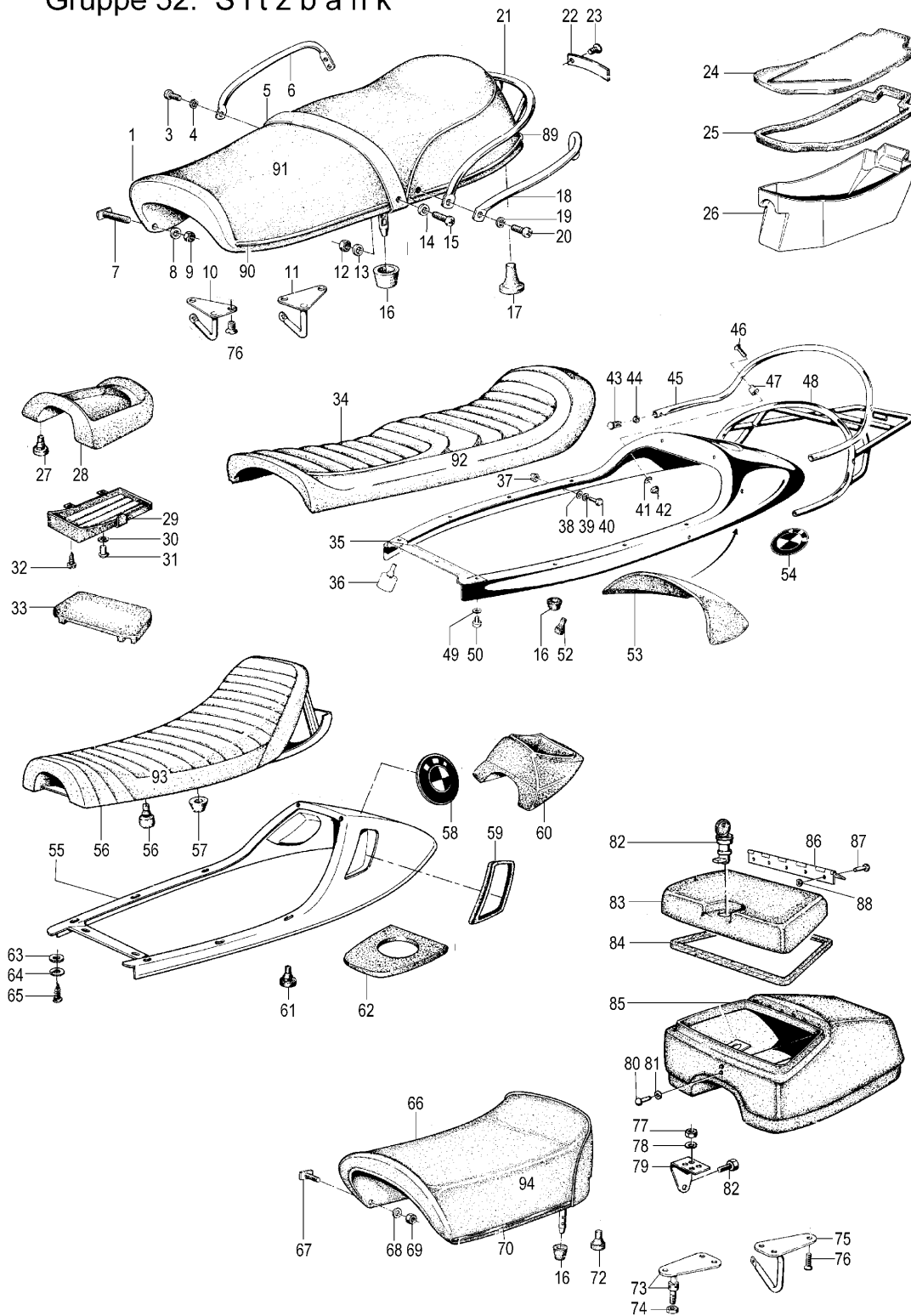


www.UlisMotorradladen.de - Info@UlisMotorradladen.de

46b_107b	35415	Windschutzscheibe "RS", Speed7, komplett	(68,97)	80,01
46b_108	35508	Windschutzscheiben-Kantenschutz S, RS	(2,45)	2,84
46b_109	35507	Windschutzscheiben Dichtgummi "RS"	(1,02)	1,18
46b_110	1235405	Instrumententräger R100RS Verkleidung	(19,50)	22,62
46b_111	49632	Windschutzscheiben Hohlniete S, RS	(0,18)	0,21
46b_122	39110	Streuscheibe RT, RS-Verkleidung	(37,07)	43,00
46b_133a	1233732	Cockpit Unterteil "S" und "CS", grundiert	(196,14)	227,52
46b_133b	1233187	Cockpit Instrumentenplatte für "S"-Verkleidung	(20,00)	23,20
46b_134a	1235499	Windschutzscheibe "S", Original BMW	(51,72)	60,00
46b_134b	35499	Windschutzscheibe "S" Speed7 mit Nieten	(58,62)	68,00
46b_135	1233189	Windschutzscheiben Dichtgummi "S"	(1,72)	2,00
46b_137	33166	Windschutzscheibenbefestigungs-Unterlegscheibe S-, RS-, RT-Cockpit	(0,13)	0,15
46b_138	33909	Windschutzscheibenbefestigungs-Niete, S, RS-, RT-Cockpit	(0,49)	0,57
46b_139	1233191	Aufkleber rechts S-Cockpit	(1,79)	2,08
46b_140	1236235	Aufkleber links S-Cockpit (Reifendruck)	(1,79)	2,08
46b_152	1233943	Blinkerhalter vorn für "S"-Cockpit (lange Version)	(21,55)	25,00
46b_152	1233941	Blinkerhalter vorn R50/5-100/7 verchromt	(21,55)	25,00
46b_153	1233693	Cockpit "S" Befestigungs-Ring	(4,86)	5,64
46b_154	1234406	Cockpit "S" Befestigung Excenter Gummi	(1,07)	1,24
46b_156	1233186	Dichtung "S"-Cockpit/Lampe R60/6-R100	(7,46)	8,65
46b_157	1234405	Cockpit "S" Befestigungs-Kappe	(2,05)	2,38
46b_158	1234407	Cockpit "S" Befestigungs Gummiring	(0,44)	0,51
46b_159	1234406	Cockpit "S" Befestigung Excenter Gummi	(1,07)	1,24
46b_160	1233693	Cockpit "S" Befestigungs-Ring	(4,86)	5,64



Gruppe 52: Sitzbank



52_000	50252	Höckersitzbank R50/5-90/6 Langschwinge	(112,48)	130,48
52_000	1452274	Deckel Heckteil Sitzbank R100Rt, RS, R80, R80RS, R65RT	(3,39)	3,93
52_000	34318	Sitzbankhalteclip R50/5-R100, R45/65	(0,49)	0,57
52_001a	33962	Sitzbank R50/5-R75/5 Kurzschwinge, glatt ->09'71, Neufertigung, zwei Haltegriffe	(171,90)	199,40



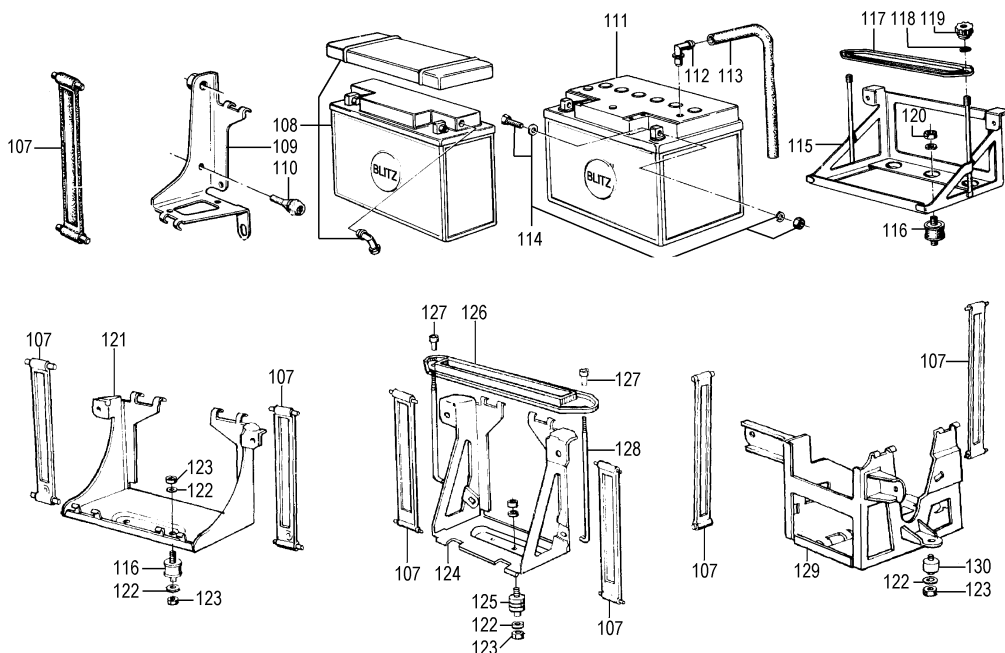
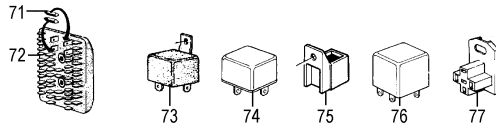
www.UlisMotorradladen.de - Info@UlisMotorradladen.de

52_001b	33963	Sitzbank R50/5-R75/5 Kurzschwinge mit Reling, längstgerippt, Repro, 09/71->	(171,90)	199,40
52_001c	30197	Sitzbank R50/5-R75/5 Kurzschwinge mit Reling, Original BMW, quengerippt	(255,21)	296,04
52_001d	39965	Sitzbank R50/5-R75/5 Langschwinge mit mit Reling, Neufertigung, längstgerippt	(171,90)	199,40
52_001e	33960	Sitzbank R50/5-R90/6 Langschwinge mit Reling, Original BMW, quengerippt	(255,21)	296,04
52_001f	33961	Sitzbank R50/5-R90/6 Langschwinge mit Reling, Neufertigung, quengerippt	(171,90)	199,40
52_001g	33964	Sitzbank R60/7-R100/7 mit Reling, Neufertigung, quengerippt	(171,90)	199,40
52_001h	37832	Sitzbank R60/7-R100/7 mit Reling, Original BMW, quengerippt	(255,21)	296,04
52_001i	71004	Sitzbankbezug R50/5-R75/5 Kurzschwinge glatt, ->09/71	(38,35)	44,49
52_001j	5003	Sitzbankbezug R50/5-R75/5 Kurzschwinge, längsgeprägt, 09/71->	(38,35)	44,49
52_001k	71005	Sitzbankbezug R50/5-R90/6 Langschwinge, längstgeprägt	(38,35)	44,49
52_001l	71003	Sitzbankbezug R50/5-R90/6 Langschwinge, quergeprägt, schwarzer Keder	(38,35)	44,49
52_001ma	71006	Sitzbankbezug R60/7-R100/7, Neufertigung	(38,35)	44,49
52_001mb	9062151	Sitzbankbezug R60/7-R100/7 Original BMW	(50,69)	58,80
52_006	30501	Sitzbankbügel R50/5-R75/5 ->09/71, Paar	(25,80)	29,93
52_007a	99117	Schraubensatz Sitzbankzierleiste	(9,71)	11,26
52_010	30314	Sitzbankhalter R50/5-R75/5 vorne	(20,96)	24,31
52_011	36351	Sitzbankhalter R50/5-R75/5 hinten	(13,70)	15,89
52_016	30313	Sitzbankhaltestift Puffer R50/5-R90S	(1,74)	2,02
52_017	1230319	Sitzbank Auflagestopfen R50/5-R100	(0,49)	0,57
52_021a	32033	Sitzbankbügel R50/5-R75/5 Kurzschwinge	(56,03)	64,99
52_021b	32966	Sitzbankbügel R50/5-R100/7 Langschwinge	(56,03)	64,99
52_022	1238917	Typenschild Sitzbank R100RT	(6,14)	7,12
52_024	40500	Werkzeugkastendeckel R60/7-R100	(14,99)	17,39
52_025a	32685	Werkzeugkastendichtung Langschwinge R50/5-R90S	(5,29)	6,14
52_025b	32683	Werkzeugkastendichtung R60/7-R100	(5,62)	6,52
52_025c	39963	Werkzeugkasten Dichtung R45/65	(2,76)	3,20
52_026a	30396	Werkzeugkasten R50/5-R75/5 Kurzschwinge	(20,45)	23,72
52_026b	32640	Werkzeugkasten R50/5-R100/7 Langschwinge	(11,50)	13,34
52_034b	37834	Sitzbank R100S, RS, RT Neufertigung, schwarzer Bezug	(162,59)	188,60
52_034b	1237834	Sitzbank R100S, RS, RT Original BMW	(222,41)	258,00
52_034c	115026	Sitzbank R45/65 Giuliani weiß	(112,48)	130,48
52_034d	01365	Sitzbank R90S "glatt", Neufertigung	(173,84)	201,65
52_034e	71007	Sitzbankbezug R100RS, RT ->87	(38,35)	44,49
52_034f	71008	Sitzbankbezug R90S "glatt"	(38,35)	44,49
52_034g	1452293	Sitzbankbezug R65-80RT 85>, R100RT 87> Original BMW	(44,00)	51,04
52_034h	2307337	Sitzbankbezug R80GS gelb/schwarz	(52,66)	61,09
52_035	1232446	Sitzbankrahmen R90S-100 RS, S, RT grundiert	(110,19)	127,82
52_036	1232904	Sitzbank Stützgummi R90S-R100RT	(0,79)	0,92
52_037	1232459	Scheibe Sitzbankhaltebügel, Gepäckträger	(0,49)	0,57
52_040	98155	Schraube 6-Kant	(0,13)	0,15
52_040b	98153	Schraube 6-Kant, Edelstahl	(0,23)	0,27
52_042	98326	Mutter selbstsichernd, verzinkt	(0,15)	0,17
52_043	1232457	Stopfen Sitzbankhaltebügel, Gepäckträger	(1,51)	1,75
52_044	9921438	Vierkantmutter Haltebügel, Gepäckträger	(0,10)	0,12
52_045a	1232456	Sitzbankbügel R90S chrom	(30,68)	35,59
52_045b	1234635	Sitzbankbügel R80-100RT schwarz	(28,12)	32,62
52_046	98163	Schraube Linsensenkopf-Schlitz Edelstahl	(0,49)	0,57
52_047	1232458	Hülse Sitzbankhaltebügel, Gepäckträger	(1,41)	1,64
52_048a	1239300	Gepäckträger R90S, R80-R100RS,S,RT,CS, verchromt	(87,00)	100,92
52_048b	1240128	Gepäckträger R90S, R80-R100RS, S, RT, CS, schwarz	(77,72)	90,16
52_053	1233313	Sitzbankrahmen Dichtung R90S-100RT	(18,66)	21,65



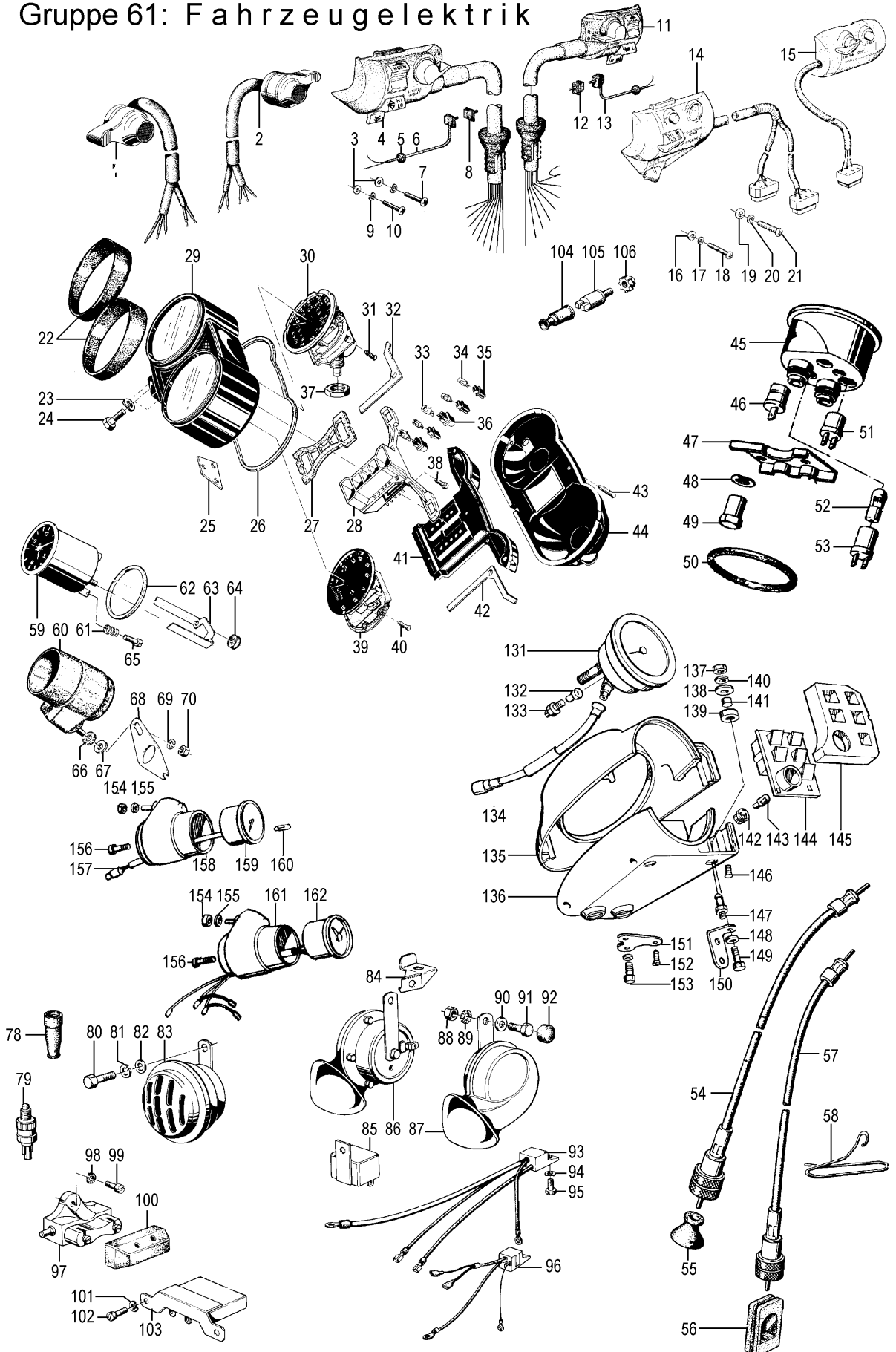
52_053a	1237104	Sitzbank Heckteil R45/65, ->09/80	(19,17)	22,24
52_053b	1242360	Sitzbank Heckteil R45/65, 09/80->	(41,87)	48,57
52_054a	1236257	Emblem Sitzbank Heckteil R65, Alu, selbstklebend	(3,48)	4,04
52_054b	33551	Typenschild Sitzbank R90S	(7,98)	9,26
52_054c	1234623	Typenschild Sitzbank R100S	(6,49)	7,53
52_055	2301695	Sitzbankrahmen R100RS Einzelsitz, grundiert	(245,42)	284,69
52_056a	115027	Sitzbank R45/65 Sport, schwarz	(50,11)	58,13
52_056b	1237835	Sitzbank R100RS Einzelsitz, schwarz	(215,52)	250,00
52_056c	1237788	Sitzbank R100RS Einzelsitz, beige	(222,41)	258,00
52_059a	2301555	Sitzbank R100RS Einzelsitzabdeckung links	(2,30)	2,67
52_059b	2301556	Sitzbank R100RS Einzelsitzabdeckung rechts	(2,30)	2,67
52_059c	1234426	Sitzbank R100RS Einzelsitzkeder	(2,30)	2,67
52_060	1234428	Werkzeugkasten R100RS Einzelsitz	(28,63)	33,21
52_060b	1242172	Ablagefach Sitzbankheckteil R45/65	(33,06)	38,35
52_061	1203319	Sitzbank R100RS Einzelsitzstütze	(0,92)	1,07
52_062	1234427	Werkzeugkastendichtung R100RS Einzelsitz	(5,06)	5,87
52_066a	30676	Einzelsitz R50/5-R90/6 Langschwinge Original BMW	(178,44)	206,99
52_066b	30677	Einzelsitz R50/5-90/6 Langschwinge Neufertigung	(112,07)	130,00
52_066c	1237833	Einzelsitz R60/7-R100 Original BMW	(182,02)	211,14
52_066d	37833	Einzelsitz R60/7-R100 Neufertigung	(112,07)	130,00
52_073	42704	Einzelsitzbank-Scharnier vorne	(14,32)	16,61
52_074	42706	Mutter Einzelsitz-Scharnier vorne	(3,53)	4,09
52_076	00811	Sitzbankhalter-Schraube R50/5->	(0,20)	0,23
52_085	1234539	Funkgerätekasten hinter Solositz R50/5-> Satz	(191,73)	222,41
52_090a	31321	Zierleistensatz Sitzbank R50/5-R75/5 Kurzschwinge, Aluminium	(33,23)	38,55
52_090b	31322	Zierleistensatz Sitzbank R50/5-R75/5 Kurzschwinge, aus silbernem Plastik(19,94)		23,13
52_090c	32973	Zierleistensatz Sitzbank R50/5-R75/5 Langschwinge, aus silbernem Plastik(19,94)		23,13
52_090d	32974	Zierleistensatz Sitzbank R60/7-R100 aus schwarzem Plastik	(19,94)	23,13
52_090e	31323	Zierleistensatz Sitzbank R60/6-R100	(19,94)	23,13

Gruppe 61: Fahrzeugelektrik





Gruppe 61: Fahrzeugelektrik





61_000	2315222	Heizgriff rechts R850R- R1100RT,RS	(48,49)	56,25
61_000	1459464	Lichtschalter mit Dauerlicht K75 '1981	(48,49)	56,25
61_000	1391630	Steckdose R80-R100 ->01/91	(18,29)	21,22
61_000	99503	Birne 12 Volt 18 Watt Sofitte	(2,10)	2,44
61_000	43393	Sicherungskasten R45	(4,50)	5,22
61_000	1361706	Heizgriff Steckhülse R80GS-R1100RT	(0,77)	0,89
61_000	1459982	Heizgriffe Schalter R850R-R1100RT	(17,63)	20,45
61_000	1244392	Warnblinkgeber R45-R1100R	(21,16)	24,55
61_000	1243007	Schalter Warnblinkanlage	(23,14)	26,84
61_000	1236884	Schaltergehäuse Warnblinkanlage	(4,40)	5,10
61_000	1243454	Schalter Zusatzinstrumente R45-R100	(16,74)	19,42
61_000	1358107	Kabelbaum Leerlaufschalter R60/6-R100	(3,83)	4,44
61_000	2300473	Steckdosen-Einbausatz komplett	(19,83)	23,00
61_000	2315221	Heizgriff links R850R- R1100RT,RS	(44,08)	51,13
61_000	1459305	Warnblinkschalter R80R-1100R	(18,20)	21,11
61_000	1243664	Steckdosen-Nachrüstsatz R50/5->R100	(32,00)	37,12
61_000	2303048	Steckdosen-Nachrüstsatz K75	(15,29)	17,74
61_000	2316081	Heizgriffe Nachrüstsatz R80R, R100R	(145,45)	168,72
61_000	2315716	Zeituhr Nachrüstsatz R80GS-R100PD	(122,20)	141,75
61_000	1243186	Kabelsatz Kennzeichenleuchte R60/6-R100, R100RT, R100/7T	(4,00)	4,64
61_000a	1354674	Kabelbaum R50/5-R75/5	(39,23)	45,51
61_000b	1358178	Kabelbaum R60/6-R90S 09/74->	(91,52)	106,16
61_000c	1357457	Kabelbaum R60/6-R90S ->09/74	(94,77)	109,93
61_000d	1243194	Kabelbaum R60/7-R100 09/76->09/77	(173,84)	201,65
61_000e	1243522	Kabelbaum R60/7-R100 09/77->09/80 RS, RT und T-Modelle	(109,93)	127,52
61_000f	1243521	Kabelbaum R60/7-R100S 09/77->09/80	(109,93)	127,52
61_000g	1243564	Kabelbaum R45/65 ->09/80, Fahrgestell	(97,00)	112,52
61_001a	51220	Lichtschalter R50/5-R90S >09/74mit Kabel	(45,25)	52,49
61_002a	1351219	Blinkschalter R50/5-R75/5 mit Kabel	(47,50)	55,10
61_004a	43247	Lichtschalter R60/6-R100, 09/74>09/78 niedriger Lenker, Kabellänge 230mm	(79,25)	91,93
61_004b	43248	Lichtschalter links R60/7-R100 09/74>09/78, Kabellänge 380mm	(79,25)	91,93
61_004c	43731	Lichtschalter links R60/7-R100, 09/74>09/78, Kabellänge 520mm	(76,69)	88,96
61_004d	1243597	Lichtschalter links R60/7-R100, 09/74-> 09/78, Dauerlicht, Kabellänge 230mm	(57,52)	66,72
61_004e	1243598	Lichtschalter links R60/7-R100, 09/74-> 09/78, Dauerlicht, Kabellänge 380mm	(57,52)	66,72
61_004f	1243732	Lichtschalter links R60/7-R100, 09/74-> 09/78, Dauerlicht, Kabellänge 520mm	(57,52)	66,72
61_006	43496	Schalter Kupplung/Bremse R60/6-R100	(8,59)	9,96
61_011a	1243245	Blinkschalter rechts R60/6-R100 09/74>09/78. Kabellänge: 230mm	(77,13)	89,47
61_011b	1243246	Blinkschalter rechts R60/7-R100 09/74>09/78, Kabellänge 380mm	(77,13)	89,47
61_011c	1243730	Blinkschalter rechts R60/7-R100, 09/74-> 09/78, RT-Verkleidung. Länge 520mm	(77,13)	89,47
61_013	53985	Tülle Lichtschalter/Lampe R50/5->	(0,92)	1,07
61_014a	1243864	Kombischalter links R60-R100, 09/78-> mit Hauptschalter	(55,09)	63,90
61_014b	1243865	Kombischalter links R60-R100RS, 09/78-86 mit Lichtschalter, für hohen Lenker	(62,50)	72,50
61_014c	1243866	Kombischalter links R60-R100RT, 09/78-86 mit Lichtschalter, für hohen Lenker	(65,24)	75,68
61_014d	1243814	Kombischalter links R60-R100, 09/78-> Dauerlicht	(44,07)	51,12
61_014e	1243815	Kombischalter links R60-R100RS, 09/78->Dauerlicht, für hohen Lenker	(45,02)	52,22
61_014f	1243816	Kombischalter links R60-R100RT, 09/78->Dauerlicht, für hohen Lenker	(44,07)	51,12
61_014g	44420	Kombischalter links, R45/65,78->85 und alle GS/ST/PD ab '80	(53,00)	61,48
61_014h	1244410	Kombischalter links, R65-R80RT, R100 RS, RT, 85->	(55,09)	63,90
61_014i	1244418	Kombischalter links, R65-R80RT, 100 RS,RT, 85->, mit Dauerlicht	(57,30)	66,47
61_015a	1243811	Kombischalter rechts R60-R100, 09/78-> Kabellänge 230mm	(41,00)	47,56



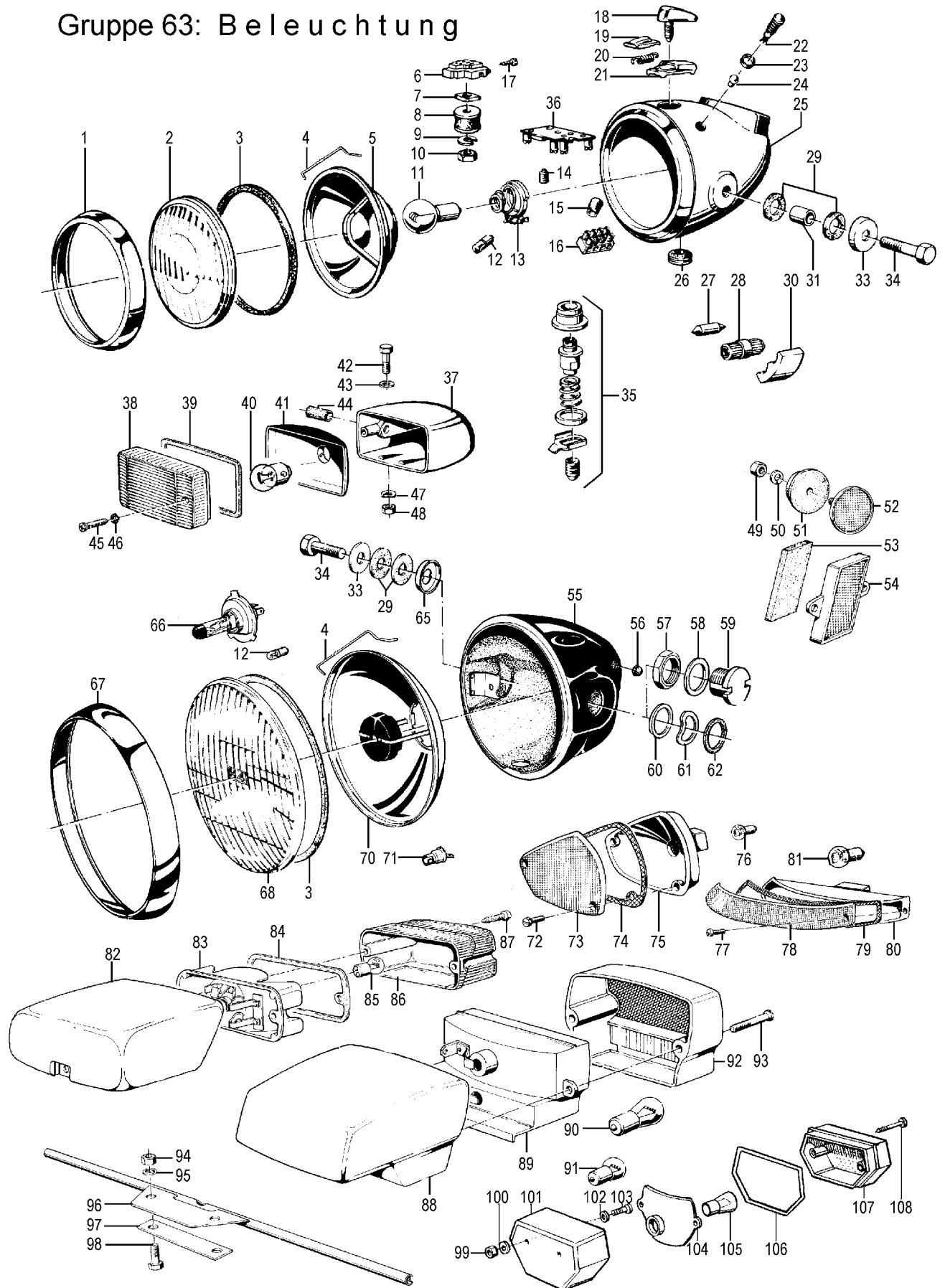
61_015b	1243812	Kombischalter rechts R60-R100RS, 09/78-> für hohen Lenker/RS-Verkleidung, 380mm	(41,00)	47,56
61_015c	1243813	Kombischalter rechts R60-R100RT, 09/78-> für hohen Lenker/RT-Verkleidung, 520mm	(41,00)	47,56
61_015d	1244417	Kombischalter rechts R45/65, GS-/ST-/PD-Modelle	(41,00)	47,56
61_022	1356676	Gummiring für Doppelinstrument 60/6->	(8,59)	9,96
61_025	1356672	Befestigungsplatte Instrumentengehäuse R60/6-R90S	(1,79)	2,08
61_026	1356671	Dichtgummi Instrumentengehäuse R60/6->	(0,79)	0,92
61_029a	1356566	Instrumentenkombi R60/6 ->76, W:0.773 mit mechanischem Drehzahlmesser	(295,32)	342,57
61_029b	1356568	Instrumentenkombi R90/6, 100/7, W:0.711 mit mechanischem Drehzahlmesser	(295,32)	342,57
61_029c	43431	Tacho/Drehzahlmesserkombi R60/7 W:0.819, elektronischer Drehzahlmesser	(251,56)	291,81
61_029d	43425	Tacho/Drehzahlmesserkombi R75/7 W:0.737, elektronischer Drehzahlmesser	(251,56)	291,81
61_029f	1356664	Instrumentengehäuse R60/6-R100 ->09/77	(86,21)	100,00
61_029g	1243436	Instrumentengehäuse R60/7-R100 09/77->09/80	(86,21)	100,00
61_029h	1244779	Instrumentengehäuse R80/7-R100 09/80->	(86,21)	100,00
61_030a	56717	Tacho R60/6-R80/7 W:0.773, 37:11	(114,60)	132,94
61_030b	43458	Tacho R100/7->, 9/84, R80'85-> W:0.691, 33:11	(157,00)	182,12
61_030c	1243461	Tacho R100 09/77-09/80 W:0.711, 34:11	(167,49)	194,29
61_030d	1243455	Tacho R100RS, CS, S ->09/84 W:0.670, 32:11	(167,49)	194,29
61_030e	1358115	Tacho R60/6, R60/7 W:0.819, 32:9	(167,49)	194,29
61_030f	1356718	Tacho R75/6-R100/7,->09/77 W:0.737, 32:10	(167,49)	194,29
61_030g	1356719	Tacho R90/6-R100/7, ->9/77 W:0.711, 34:11	(167,49)	194,29
61_032	1358114	Dichtung Tachometer R60/6-R100	(0,97)	1,13
61_033a	1350062	Birne 12 Volt 2 Watt Glassockel	(1,12)	1,30
61_033b	9978372	Birne 12 Volt 3 Watt Glassockel	(0,92)	1,07
61_034	9978375	Birne 12 Volt 1,2 Watt Glassockel	(0,92)	1,07
61_035	1244643	Birnenhalter R60/6-> für 1,2 Watt Birnchen	(2,25)	2,61
61_036	1356714	Birnenhalter R60/6-> für 3 Watt Birnen	(1,74)	2,02
61_037b	43112	Drehzahlmesser-Befestigungsmutter	(0,92)	1,07
61_039a	1356660	Drehzahlmesser R60/6 ->08/77	(163,79)	190,00
61_039b	1244127	Drehzahlmesser ab 09/80->08/95	(163,79)	190,00
61_039c	1243434	Drehzahlmesser ab/7 09/77->08/80	(163,79)	190,00
61_039d	2305263	Drehzahlmesser K75-K100	(158,50)	183,86
61_042	1356670	Dichtung Drehzahlmesser R60/6-R100	(0,77)	0,89
61_044	1356674	Instrumentengehäuse Deckel unten R60/6-R100	(9,97)	11,57
61_045a	1243323	Tacho R45, R45T W: 0.895	(127,82)	148,27
61_045b	43322	Tacho R45N W: 0.978	(176,40)	204,62
61_045c	52621	Tacho R50/5 mit Drehzahlmesser W:0.800	(201,96)	234,27
61_045d	50566	Tacho R60/5 mit Drehzahlmesser W:0.760	(201,96)	234,27
61_045e	53676	Tacho R75/5 mit Drehzahlmesser W:0.715	(201,96)	234,27
61_045f	43324	Tacho R65, LS, T 200 Km/h W:0.793	(177,99)	206,47
61_045g	80091	Chromring Tacho R50/5-R75/5	(18,00)	20,88
61_046	1243799	Birnenhalter R45/65 Kontrolleuchte	(4,91)	5,70
61_047	50546	Tacho-Halteschiene R50/5-R75/5	(6,34)	7,35
61_049	50574	Mutter Tachohalteschiene R50/5-R75/5	(0,46)	0,53
61_050	56593	Tachodichtring zur Lampe R50/5->	(2,47)	2,87
61_051	8680131	Birnenhalter 2-polig R50/5-R75/5 Ladekontrollleuchte	(1,64)	1,90
61_053	8081725	Birnenhalter 2-polig R50/5-R75/5 Leerlauf- und Öldruckkontrollleuchte	(1,64)	1,90
61_054a	1016	Tachowelle R26/27, R50-R69S, R50/5->, dünn	(11,25)	13,05
61_054b	57731	Tachowelle R60/6->, R80G/S, R45/65	(16,74)	19,42
61_055	80160	Tülle Tachowelle/Getriebe	(1,43)	1,66
61_056	51554	Tülle Drehzahlmesserwelle R50/5-R75/5	(6,62)	7,68
61_057	1357732	Drehzahlmesserwelle R50/5-R100	(18,15)	21,05



61_060a	1243642	Zeituhrgehäuse schwarz	(26,59)	30,84
61_060b	1357868	Voltmeter-Gehäuse schwarz	(26,59)	30,84
61_062	1243100	Dichtring für Zeituhr	(1,10)	1,28
61_068	1240651	Halteflasche Zusatzinstrumente R50/5->	(2,86)	3,32
61_072a	1357593	Kontaktplatte Lampe R60/6-R90S ->09/74	(30,41)	35,28
61_072b	1243012	Kontaktplatte Lampe R60/6-R100 09/74->	(30,41)	35,28
61_074a	58193	Relais für Licht R60/6-R100 ohne Diode ->1979	(11,76)	13,64
61_074b	43049	Relais für Licht R60/7-R100 mit Diode 1979->	(15,85)	18,39
61_074c	243086	Relais, Schließer für Licht oder Zusatz	(7,41)	8,60
61_076a	1352941	Blinkgeber 12 Volt, elektronisch, R50/5-R75/5	(19,80)	22,97
61_076b	1358194	Blinkgeber 12 Volt, elektronisch R60/6-R100	(27,76)	32,20
61_076c	2306014	Blinkgeber R80GS-R100R Mystic	(63,91)	74,14
61_078	44071	Tülle Bremslichtschalter vorn R60/7->	(1,00)	1,16
61_083	1243486	Hupe 12 Volt ab R50/5->, verchromt	(14,32)	16,61
61_097	6005	Bremslichtschalter hinten	(5,01)	5,81
61_100	8005	Bremslichtschalterabdeckkappe	(0,97)	1,13
61_104	51646	Tülle Bremslichtschalter R50/5->, vorne	(2,64)	3,06
61_105a	1351662	Bremslichtschalter vorn 09/69->09/76	(17,30)	20,07
61_105b	1244070	Bremslichtschalter vorn 09/76-08/84	(5,29)	6,14
61_105c	1459569	Bremslichtschalter vorn 09/84->und R65-R80RT/85 hinten	(12,12)	14,06
61_107A	1230392	Batteriespannband R50/5->08/73	(4,09)	4,74
61_107B	1243562	Batteriespannband 45/65-80RT, 100R,GS,PD	(8,18)	9,49
61_108a	95024	Batterie 12V16Ah R50/5-75/5 Kurzschwinge R45/65, R80G/S, ST	(39,88)	46,26
61_108b	59014	Batterie 12V20Ah R50/5-75/5 Kurzschwinge R45/65, R80G/S, ST	(48,57)	56,34
61_108c	5024	Batterie 12V20Ah Mareg R50/5-R75/5 Kurzschwinge, R45/65, R80G/S, ST	(61,36)	71,18
61_109a	1230772	Batteriehalter R50/5-75/5 Kurzschwinge rechts	(28,02)	32,50
61_109b	1230771	Batteriehalter R50/5-75/5 Kurzschwinge links	(28,02)	32,50
61_110	1231084	Gummipuffer Batteriehalter R50/5->, kurz und Scheinwerfer R60/6->	(0,92)	1,07
61_111a	4024	Batterie 12V25Ah Deta, R50/5-R100 Langschwinge	(81,81)	94,90
61_111b	94025	Batterie 12V30Ah, R50/5-R100 Langschwinge	(61,21)	71,00
61_115	1233076	Batteriehalter Langschwinge R50/5->	(35,28)	40,92
61_116a	33028	Silentgummi Batteriehalter ->09/77	(1,94)	2,25
61_116b	43530	Silentgummi Batteriehalter unten 09/77-> und Cockpithalter R100R	(3,96)	4,59
61_117	1233073	Batteriehalterbrücke ab R50/5 Langschwinge ->08/83	(7,49)	8,69
61_121	1243302	Batteriehalter R45/65, R65/80GS, ST	(17,69)	20,52
61_126	1452240	Batteriehalterbrücke R65-80RT/85 und R100RT/87	(9,46)	10,97
61_127	1459257	Batteriehalter Rändelmutter R65-80RT/85 und R100RT/87	(0,49)	0,57
61_128	1452342	Batteriehalter Strebe R65-80RT/85 und R100RT/87	(1,25)	1,45
61_131a	44381	Tacho R80G/S 200 Km/h W:0.773	(117,60)	136,42
61_131b	1244652	Tacho R65GS, R80GS	(169,00)	196,04
61_142	1243518	Birnenhalter R80GS, R45/65 rund Kontrollleuchte	(1,74)	2,02
61_144	1244756	Kontrollleuchte R65GS-R100PD	(60,00)	69,60
61_145	1244754	Kontrollleuchten-Abdeckung R65GS-R100PD	(15,42)	17,89
61_150a	1244133	Instrumentenhalter oben links R65-80GS	(2,45)	2,84
61_150b	1244134	Instrumentenhalter oben rechts R65-80GS	(2,45)	2,84
61_151	1244048	Instrumententräger komplett R80GS->09/86 ohne Tacho/Scheinwerfereinsatz	(152,88)	177,34
61_151	1244055	Instrumentenhalter unten R65-80GS	(2,45)	2,84
61_157	1357591	Kabelbaum Zusatzinstrumente R90S, R100S mit Birnenhalter	(15,59)	18,08
61_159a	1357852	Voltmeter alle Modelle ->09/77	(81,81)	94,90
61_159b	44668	Voltmeter alle Modelle 09/77->	(81,81)	94,90
61_162	1244638	Zeituhr 12V	(85,95)	99,70
61_63	1357801	Halter Zusatzinstrumente R90S, R100S, CS	(4,86)	5,64



Gruppe 63: Beleuchtung





63_000	1243439	Lampenträger R75/7-R100, 09/77->09/80	(21,42)	24,85
63_000	2006	Lenkerblinker Aluminium, poliert, Hella	(39,80)	46,17
63_000	2011	Lenkerblinker Hella	(6,03)	6,99
63_000	2012	Lenkerblinker, chrom mit Birne 12 Volt und 1m Kabel	(18,15)	21,05
63_000	1244129	Lampenträger R65-R100, 09/80->	(21,42)	24,85
63_000	1356665	Lampenträger R60/6-R100 ->09/77	(26,50)	30,74
63_000	43438	Lampenträger Deckel R60/6-R100	(5,22)	6,06
63_000	56669	Lampenträger Dichtung R60/6-R100	(0,82)	0,95
63_000	9907910	Blechschaube Scheinwerfer R65GS-R100GS	(0,10)	0,12
63_000	9907988	Scheinwerfer Halte-Blechschaube R80GS	(0,10)	0,12
63_000	1244147	Scheinwerferdichtring R65GS-80GS	(5,32)	6,17
63_000	1244024	Scheinwerferträger R65GS-80GS	(9,69)	11,24
63_000	98102	Lenkerblinker Hella-Schraube	(0,08)	0,09
63_000	54159	Lenkerblinker Aluminium, verchromt	(24,54)	28,47
63_000	1244023	Scheinwerfer Haltering R65GS-80GS	(11,50)	13,34
63_000	2315655	Blinkerhalter R80GS-R100PD hinten	(5,11)	5,93
63_001	1351651	Chromring vorne R50/5-R75/5	(19,43)	22,54
63_002a	11013	Streuscheibe vorn H4, ZEV, 1948-1973	(10,00)	11,60
63_002b	8007	Streuscheibe vorne R24-R69S	(24,00)	27,84
63_002b	12013	Streuscheibe vorn H4, Bosch, 1948-1973	(16,00)	18,56
63_002c	43542	Streuscheibe H4 für Linksverkehr, R50/5-R75/5, R45/65	(28,12)	32,62
63_003	1007	Lampendichtung vorne	(1,23)	1,43
63_004	48181	Reflektorhalteklammer	(0,51)	0,59
63_005a	78001	Reflektor H4 R50/5-75/5, R45/65 mit Birnenhalter und Feder	(27,10)	31,44
63_005b	6011	H4-Einsatz R50/5-R75/5, R45/65 ohne Birnen	(28,50)	33,06
63_006	08018	H4-Stecksockel, Blinkgebersockel	(3,32)	3,85
63_008	56139	Silentgummi Blinkgeber R50/5-R75/5 im Scheinwerfer	(1,64)	1,90
63_012	99504	Birne 12 Volt Standlicht	(0,92)	1,07
63_012b	2301607	Blinkerhalter vorne R50/5-R100/7 schwarz	(13,55)	15,72
63_016a	50507	Lüsterklemmleiste (12Stk), -> 2,5 mm ²	(1,84)	2,13
63_016a	50508	Lüsterklemmleiste (12Stk), -> 6mm ²	(1,84)	2,13
63_018a	8014	Zündschlüssel R25/3-R75/5	(6,03)	6,99
63_018b	48119	Zündschlüssel Metallausführung R24-75/5	(6,03)	6,99
63_019	9013	Schnapper für Zündschloß, Plastik	(2,45)	2,84
63_020	48191	Schnapperfeder Zündschloß	(1,02)	1,18
63_021a	6013	Zündschloßabdeckkappe komplett mit Feder und Schnapper	(14,01)	16,25
63_021b	48189	Zündschloßabdeckkappe einzeln	(10,99)	12,75
63_022a	56987	Kontrollleuchte Blinker R50/5-R75/5 grün	(7,57)	8,78
63_022b	1356986	Kontrollleuchte Blinker R50/5-R75/5 gelb	(7,57)	8,78
63_022d	48129	Kontrollleuchte grün, Leerlauf	(10,12)	11,74
63_023	1353486	Kontrollleuchten Dichtung R50/5-R75/5	(0,46)	0,53
63_025b	243108	Scheinwerfergehäuse R50/5-R75/5	(281,21)	326,20
63_026	19007	Tülle Tachowelle/Lampe	(1,64)	1,90
63_026b	43476	Tülle Kabelbaum/Lampe R50/5->	(0,92)	1,07
63_027	98611	Sicherung 8A	(0,26)	0,30
63_028	98620	Sicherungshalter mit 8A Sicherung	(2,30)	2,67
63_029	8008	Lampenhaltegummi rund	(0,92)	1,07
63_031	50138	Lampenhalte-Distanzgummi	(1,84)	2,13
63_033	50134	Lampenhaltescheibe, Edelstahl poliert	(3,32)	3,85
63_034	13661	Lampenhalteschraube, Edelstahl poliert	(2,45)	2,84
63_035	1013	Zündschloß R25-R75/5	(35,28)	40,92
63_036	48173	Kontaktplatte R50/5-R75/5	(97,15)	112,69
63_037a	50495	Blinkergehäuse R50/5->, Aluminium, passend für Reflektor mit Steckschuh	(21,34)	24,75
63_037b	1350494	Blinker R50/5->, Aluminium	(29,97)	34,77
63_037c	1243442	Blinker R60/6->, Plastik	(12,00)	13,92
63_037d	1350642	Kabelsatz Blinker vorn R50/5-R75/5	(3,48)	4,04

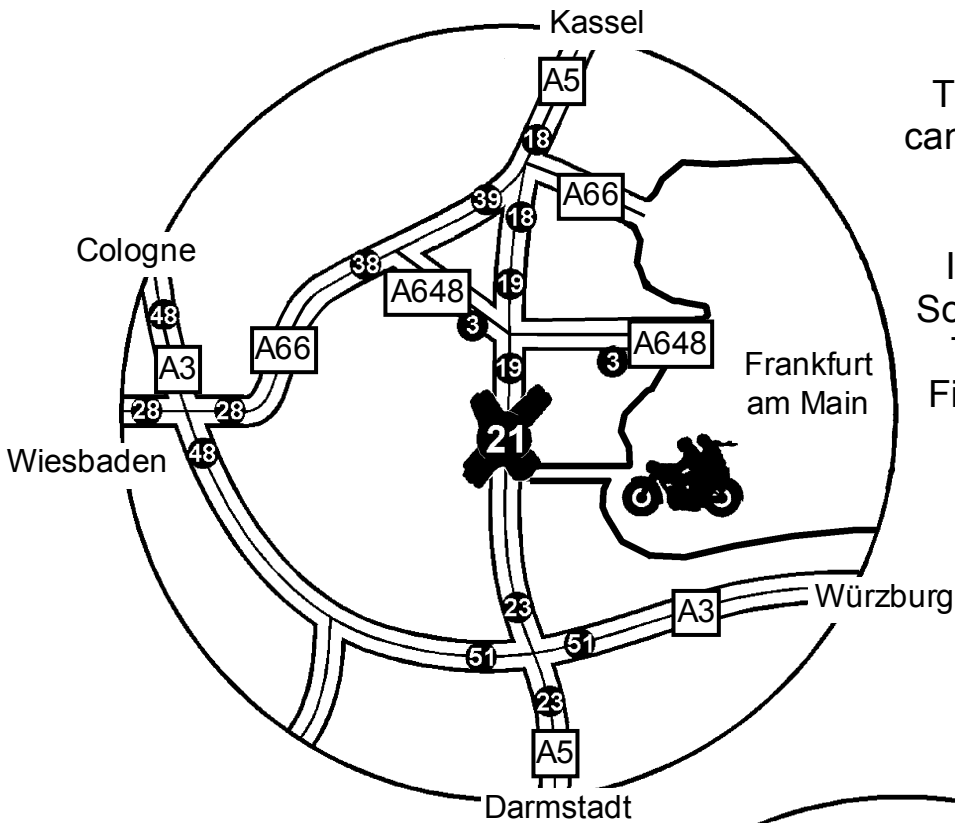


63_037e	1357588	Kabelsatz Blinker vorn R60/6-R90S	(4,85)	5,63
63_037f	1243206	Kabelsatz Blinker vorn R60/7-R100/7	(7,50)	8,70
63_038	1243445	Blinkerglas R50/5-R100	(4,35)	5,05
63_039	1351407	Blinkerglas-Dichtung R50/5-R100	(1,12)	1,30
63_040	99502	Birne 12 Volt 21 Watt Kugel	(1,43)	1,66
63_041	1243443	Blinker-Reflektor R50/5-R100	(6,14)	7,12
63_044	1351257	Gummitülle für Blinker R50/5-R90S	(0,41)	0,48
63_045	9907643	Blinkerglasschraube R50/5-R100	(1,23)	1,43
63_046	9963002	Blinkerglasschrauben-Dichtring	(0,38)	0,44
63_055	43483	Scheinwerfer R60/6-R100 vorne komplett	(180,72)	209,64
63_057a	43278	Zündschloßbefestigungs-Mutter innen, R60/6-R100	(1,33)	1,54
63_057b	43279	Zündschloßbefestigungs-Mutter außen, R60/6-R100	(0,97)	1,13
63_059a	43273	Zündschloß R60/6 '74-> 3-Schaltungen	(46,02)	53,38
63_059b	33276	Zündschloß R60/6->'74, 5 Schaltungen	(66,72)	77,40
63_059d	1453652	Zündschloß R65-80RT 1985-> und K100->04/85	(46,63)	54,09
63_061	1357502	Lampenhaltegummi links R60/6-R100 für Zündschloß	(0,72)	0,84
63_066a	1354619	Birne H4 12 Volt 60/55 Watt, Sockel P43T	(5,11)	5,93
63_066b	54620	Birne H4 12 Volt 100/80 Watt, SockelP43T (nicht STVZO zugelassen)	(13,43)	15,58
63_066c	54622	H4-Birne 12 Volt 55/100 Watt, SockelP43T (nicht STVZO zugelassen)	(13,43)	15,58
63_066d	54621	Birne H4 12 Volt 100/80 Watt, SockelP45T (nicht Stvzo zugelassen)	(13,43)	15,58
63_067a	1356402	Chromring vorne R60/6-R100/7	(43,46)	50,41
63_067b	1243539	Chromring vorne R45/65	(34,77)	40,33
63_068a	13013	Streuscheibe vorn R60/6-R100/7	(19,94)	23,13
63_068b	1358148	Streuscheibe vorn R60/6-R100 für Linksverkehr	(37,27)	43,23
63_070a	1355396	Reflektor R60/6-R100/7	(74,14)	86,00
63_070b	1243537	Reflektor H4 R45/65 original BMW	(39,88)	46,26
63_071	80130	Birnenhalter 1-polig, für Standlicht bei H4 Einsatz	(2,15)	2,49
63_073a	1243233	Blinkerglas R45T-R100RT links	(7,57)	8,78
63_073b	1243234	Blinkerglas R45T-R100RT rechts	(7,57)	8,78
63_074a	1244321	Blinkerglas Dichtung R45T-R100RT links	(4,01)	4,65
63_074b	1244322	Blinkerglas Dichtung R45T-R100RT rechts	(4,01)	4,65
63_079	1244320	Standlichtglas Dichtung R45T-R100RT	(3,70)	4,29
63_082a	1352638	Rücklichtgehäuse R50/5-R100 grundiert ->09/78	(14,83)	17,20
63_082b	55060	Rücklichtgehäuse R50/5-R100 schwarz glänzend	(35,28)	40,92
63_083	43212	Reflektor Rücklicht R50/5-R90S	(29,40)	34,10
63_086a	50403	Streuscheibe hinten R50/5-R100->1981	(22,75)	26,39
63_086b	1350403	Streuscheibe hinten R50/5-R100 ->1981 Original BMW	(38,54)	44,71
63_086c	56298	Streuscheibe hinten R50/5-R100->'81, USA	(33,23)	38,55
63_087	06760	Streuscheiben-Halteschraube Rücklicht	(0,38)	0,44
63_088	43756	Rücklicht R75/7-R100RT komplett	(60,33)	69,98
63_088b	1243520	Kabelbaum Rücklicht R60/7-R100S 09/77->08/78	(11,68)	13,55
63_089	43213	Reflektor Rücklicht R60/6-R100 USA	(28,12)	32,62
63_092	43758	Streuscheibe hinten ab R60/7, R45/65	(29,91)	34,70
63_096a	1243618	Blinkerhalter hinten, R50/5-R100, chrom	(28,02)	32,50
63_096b	1244352	Blinkerhalter hinten, R50/5-R100 schwarz	(19,84)	23,01
63_096c	1350643	Kabelsatz Blinker hinten R50/5-R90S	(6,26)	7,26
63_10e	1233070	Speichenrad R50/5-R60/6 vorne	(475,50)	551,58



Literature

95_000	27026	Handbuch (Owners Manual) R60/6-R90S	(17,90)	20,76
95_000	27028	Handbuch (Betriebsanleitung) R45, R65	(12,78)	14,82
95_000	27029	Handbuch (Betriebsanleitung) R45, R65,LS	(12,78)	14,82
95_000	9796330	Ersatzteilkatalog R45, R65	(30,17)	35,00
95_001	9796332	Ersatzteilliste R50/5-R100 ->1981	(43,46)	50,41
95_002	70210	Handbuch (Betriebsanleitung) R50/5-R75/5	(12,78)	14,82
95_003	70211	Handbuch (Betriebsanleitung) R60/6-R90S	(12,78)	14,82
95_004	70212	Handbuch (Betriebsanleitung) R60/7-100RS	(12,78)	14,82
95_005	98740	Handbuch (Betriebsanleitung) R65-R100RT ab Modell '85, original BMW	(12,78)	14,82
95_006	991129	Jetzt helfe ich mir selbst - für alle BMW's ab 1972	(19,90)	23,08
95_007	9099140	Ersatzteilliste R50/5, R60/5, R75/5 DIN A4	(30,17)	35,00
95_008	1004	Reparaturanleitung R60/7-100RS ->82/83	(38,35)	44,49
95_009	1001	Reparaturanleitung R50/5-75/5	(38,35)	44,49
95_010	1000	Reparaturanleitung R60/6-R90S	(38,35)	44,49
95_011	1002	Reparaturanleitung R45/65	(21,47)	24,91
95_012	2002	Reparaturanleitung R50/5-R90S	(21,47)	24,91
95_013	3002	Reparaturanleitung R60/7-R100	(22,80)	26,45
95_014	922652	Reparaturanleitung R80, G/S, ST, 81->	(21,47)	24,91
95_015	922653	Reparaturanleitung R80GS '88->	(21,47)	24,91
95_016	27025	Handbuch (Owners Manual) R50/5-R75/5	(17,90)	20,76
95_017	9796621	Ersatzteil-Liste R100-R100RT, Englisch	(30,17)	35,00
95_018	87146	Chronik BMW 1923-1939	(11,66)	13,53
95_019	17190	Chronik BMW R24-R27 1949-67	(10,12)	11,74
95_020	17549	Chronik BMW R51/2-R75/5, 1950-1985	(10,12)	11,74
95_021	872042	Chronik BMW-Motorräder seit 1970	(10,12)	11,74
95_022	17522	Chronik Deutsche Seitenwagen-Motorräder	(10,12)	11,74
95_023	020641	BMW - Meilensteine der Motorradgeschichte	(25,46)	29,53
95_024	88024	BMW Motorräder Schrader Verlag, Knittel + Slabon	(29,65)	34,39
95_025	01558	BMW Motorräder von Zeyen/Leek	(50,11)	58,13
95_026	88350	BMW Motorräder, Stefan Knittel (auf weiteres nicht mehr lieferbar)	(65,45)	75,92
95_027	01955	BMW Typenkompass, Leek, nach 1945	(9,46)	10,97
95_028	9002	1000 Tricks für schnelle BMWs	(20,35)	23,61
95_028	91277	Kupferwurm, das Elektrikbuch von Carl Hertweck	(16,00)	18,56
95_028	87134	Besser machen von Carl Hertweck	(15,24)	17,68



Attention!

The exit 21 – WESTHAFEN can only be used when you are coming from the North.

If you are coming from the South, you have to make a U-Turn at the WESTKREUZ First direction WIESBADEN, then direction BASEL

Ulis Motorradladen GmbH

Gutleutstrasse 144
D – 60596 Frankfurt am Main
Germany

Telefon +49 (69) 23 93 19
Telefax +49 (69) 23 38 40

Info@UlisMotorradladen.de
www.UlisMotorradladen.de

50°06'27"North / 08°38'47"East

